



BUNA RTGS PARTICIPANT ONBOARDING PACK

Buna Message Formats

Buna – The Arab Regional Payment Platform

03.11.2022

Arab Regional Payments
Clearing and Settlement
Organization

Buna® and its logo are registered trademarks owned by the Arab Regional Payments, Clearing and Settlement Organization ("ARPCSO").

المؤسسة الإقليمية لمقاصة وتسوية المدفوعات العربية

Contents

1	INTRODUCTION	6
1.1	ABOUT THIS MANUAL	6
1.2	DOCUMENT VERSION HISTORY.....	6
1.3	DEFINITIONS AND ABBREVIATIONS.....	7
1.4	PAYMENT MESSAGE FLOW	8
1.5	STATUSES OF THE FIELDS IN THE MESSAGE DESCRIPTIONS.....	8
1.6	LIST OF SYMBOLS ALLOWED FOR POINTING IN BUNA MESSAGES	8
1.7	DAY AND TIME FORMAT IN STATUS MESSAGE	9
1.8	BIC AND PSEUDO-BIC CODES.....	9
1.9	OTHER VALUES IN THE EXAMPLES	10
1.10	UNIQUE KEY OF THE TRANSFERS	10
1.11	MESSAGE HEADER.....	11
2	PAYMENT MESSAGES	15
2.1	MT103 \equiv PACS.008: SINGLE CUSTOMER CREDIT TRANSFER	15
2.1.1	<i>Format of MT103 and mapping to pacs.008.....</i>	15
2.1.2	<i>Single Customer payments: Usage cases and examples</i>	46
2.2	MT202 \equiv PACS.009: GENERAL FINANCIAL INSTITUTION TRANSFER.....	60
2.2.1	<i>Format of MT202 and mapping to pacs.009.....</i>	60
2.2.2	<i>Interbank payments: Usage cases and examples</i>	70
2.2.3	<i>Start-of-day funding and Mid-day Top-up: Usage cases and examples.....</i>	80
2.2.4	<i>Mid-day withdrawal: Usage cases and examples</i>	97
2.2.5	<i>Defunding: Usage case and examples</i>	115
2.3	MT202 \equiv PACS.004: RETURN TRANSFER	133
2.3.1	<i>Format of MT202 and mapping to pacs.004.....</i>	133
2.3.2	<i>Usage case and examples.....</i>	144
2.4	MT204 \equiv PACS.010: FINANCIAL MARKETS DIRECT DEBIT MESSAGE.....	153
2.4.1	<i>Format of MT204 and mapping to pacs.010.....</i>	153
2.4.2	<i>Defunding: Usage case and examples</i>	160
3	STATUS AND STATEMENT	170
3.1	MTN96/STAT \equiv PACS.002: PAYMENT STATUS MESSAGE	170
3.2	MT950 \equiv CAMT.053/GBST: STATEMENT MESSAGE	180
4	REQUESTING PAYMENT STATUS	198
4.1	MTN95/STAT \equiv PACS.028: STATUS REQUEST MESSAGE.....	198
4.2	MTN96/STAT \equiv PACS.002: PAYMENT STATUS MESSAGE	202
5	CANCELLATION.....	214



5.1	MTN92 ≡ CAMT.056: REQUEST FOR CANCELLATION	214
5.2	MTN96/CANC ≡ CAMT.029: CANCELLATION ANSWER MESSAGE	221
6	CHANGING PRIORITY	234
6.1	MTN95/PRTY ≡ CAMT.087: CHANGE PRIORITY REQUEST	234
6.2	MTN96/PRTY ≡ CAMT.029: CHANGE PRIORITY ANSWER MESSAGE	241
7	REQUESTING ACCOUNT BALANCE	257
7.1	MT920/941 ≡ CAMT.060/BALR: BALANCE REQUEST MESSAGE	257
7.2	MT941 ≡ CAMT.052/BALR: BALANCE REPORT MESSAGE	261
8	REQUESTS AND REPLIES BASED ON TEXT MESSAGES	273
8.1	TEXT MESSAGE (INCLUDING BROADCAST MESSAGE)	273
8.1.1	MT999/TEXT ≡ CAMT.998/TEXTMESSAGE: SENT TEXT MESSAGE (INCLUDING BROADCAST MESSAGE)	273
8.1.2	MT999/TEXT ≡ CAMT.998/TEXTMESSAGE: RECEIVED TEXT MESSAGE (INCLUDING BROADCAST MESSAGE)	294
8.2	BUSINESS DAY	317
8.2.1	MT999/GSCD ≡ CAMT.018: REQUESTING BUSINESS DAY TIMETABLE OR TEMPLATE	317
8.2.2	MT999/SCDW ≡ CAMT.019: DAY TIMETABLE CHANGE NOTIFICATION	320
8.3	SYSTEM CALENDAR	328
8.3.1	MT999/GCLD ≡ REDA.064: GET CALENDAR	328
8.3.2	MT999/CLDR ≡ REDA.065: RETURN CALENDAR	336
8.4	PARTICIPANT STATUS	382
8.4.1	MT999/MPST ≡ CAMT.998/CHANGEPARTICSTATUS: MODIFY PARTICIPANT STATUS	382
8.4.2	MT999/PSTS ≡ CAMT.998/PARTICIPANTSTSREP: PARTICIPANT STATUS NOTIFICATION	386
8.5	ACCOUNT STATUS	391
8.5.1	MT999/LCKA ≡ CAMT.998/LOCKACCOUNT: LOCK ACCOUNT	391
8.5.2	MT999/ULKA ≡ CAMT.998/UNLOCKACCOUNT: UNLOCK ACCOUNT	395
8.5.3	MT999/ACST ≡ CAMT.052/ACST: ACCOUNT STATUS NOTIFICATION	399
9	PROCESSING MESSAGES	404
9.1	MTN96/ERRC ≡ CAMT.025: PROCESSING ERROR MESSAGE	404
9.2	MTN96/OK ≡ CAMT.025: SUCESSFUL PROCESSING MESSAGE	409
9.3	MT996/RJCT ≡ ADMI.002: REJECTION MESSAGE	413
10	REQUEST FOR PAYMENT OF CHARGES	416
10.1	MT191 ≡ CAMT.998: REQUEST FOR PAYMENT OF CHARGES	416



11	IPS LIQUIDITY RESEVATION TRANSFERS.....	427
11.1	MESSAGE FLOW	427
11.1.1	<i>Inceasing reservation: Successful flow.....</i>	<i>427</i>
11.1.2	<i>Decreasing reservation: Successful flow.....</i>	<i>428</i>
11.1.3	<i>Increasing reservation: Rejection by Buna.....</i>	<i>429</i>
11.1.4	<i>Decreasing reservation: Rejection by Buna</i>	<i>430</i>
11.2	MT202 ≡ CAMT.050: REQUEST TO INCREASE RESERVE.....	430
11.3	MT202 ≡ CAMT.051: REQUEST TO DECREASE RESERVE	437
11.4	MT986/STAT ≡ CAMT.052/TPND: AMOUNT OF ACCOUNT RESERVES.....	444
12	IPS NET TRANSACTION.....	452
12.1	MESSAGE FLOW	452
12.2	MT900 ≡ CAMT.054: DEBIT CONFIRMATION	452
12.2.1	<i>EXAMPLE: CONFIRMATION OF ACCOUNT RESERVE DEBITING.....</i>	<i>456</i>
12.3	MT910 ≡ CAMT.054: CREDIT CONFIRMATION.....	461
12.3.1	<i>EXAMPLE: CONFIRMATION OF ACCOUNT RESERVE CREDITING</i>	<i>465</i>
13	IPS LIQUIDITY SUPPORT MESSAGES	471
13.1	MESSAGE FLOW	471
13.1.1	<i>Successful flow.....</i>	<i>471</i>
13.1.2	<i>Unsuccessful flow: rejection by Buna.....</i>	<i>472</i>
13.1.3	<i>Unsuccessful flow: rejection by Buna.....</i>	<i>473</i>
13.2	MT298/300 ≡ FXTR.014: FOREIGN EXCHANGE TRADE INSTRUCTION.....	473
13.2.1	<i>EXAMPLES: FOREIGN EXCHANGE TRADE INSTRUCTIONS</i>	<i>479</i>
13.2.2	<i>{3:{108:FX13115179-2}}{4:.....</i>	<i>480</i>
13.3	MT296/FXSD ≡ FXTR.017.001.04 — FOREIGN EXCHANGE TRADE STATUS AND DETAILS NOTIFICATION.....	489
13.3.1	<i>EXAMPLE: MT296/FXSD = FXTR.017: STATUS AND DETAILS NOTIFICATION TO COUNTERPARTY.....</i>	<i>499</i>
13.3.2	<i>EXAMPLE: MT296/FXSD = FXTR.017: STATUS AND DETAILS NOTIFICATION TO COUNTERPARTY.....</i>	<i>503</i>
13.4	MT900 ≡ CAMT.054: DEBIT CONFIRMATION (SOLD CURRENCY)	507
13.4.1	<i>EXAMPLE: DEBIT CONFIRMATION.....</i>	<i>511</i>
13.4.2	<i>EXAMPLE: DEBIT CONFIRMATION.....</i>	<i>516</i>
13.5	MT910 ≡ CAMT.054: CREDIT CONFIRMATION (SOLD CURRENCY)	520
13.5.1	<i>EXAMPLE: CREDIT CONFIRMATION</i>	<i>524</i>
13.5.2	<i>EXAMPLE: CREDIT CONFIRMATION.....</i>	<i>529</i>
14	FOREIGN EXCHANGE TRADE INSTRUCTION CANCELLATION	534
14.1	MESSAGE FLOW	534



14.1.1	SUCCESSFUL FLOW	534
14.1.2	UNSUCCESSFUL FLOW: REJECTION BY BUNA	535
14.2	MT298/392 ≡ FXTR.016.001.04 — FOREIGN EXCHANGE TRADE INSTRUCTION CANCELLATION 536	
14.2.1	EXAMPLE: FOREIGN EXCHANGE CANCELLATION	540
14.3	MT296/FXCX ≡ FXTR.013: CANCELLATION STATUS MESSAGE	542
14.3.1	EXAMPLE: MT296/FXCX: CANCELLATION NOTIFICATION TO TRADING PARTY 544	
14.3.2	EXAMPLE: MT296/FXCX: CANCELLATION NOTIFICATION TO COUNTERPARTY 546	
15	EXCHANGE RATE SETTING AND DELETING	549
15.1	MT298/377 ≡ CAMT.998/SETXCHGRts: SET CURRENCY EXCHANGE RATES	549
15.1.1	EXAMPLE: SET CURRENCY EXCHANGE RATE	550
15.2	MT298/378 ≡ CAMT.998/DELXCHGRts: DELETE CURRENCY EXCHANGE RATES	553
15.2.1	EXAMPLE: DELETE CURRENCY EXCHANGE RATE	555
15.3	MT298/379 ≡ CAMT.017: RETURN EXCHANGE RATES	558
15.3.1	INFORMATION ON CURRENT EXCHANGE RATES	563

1 INTRODUCTION

1.1 ABOUT THIS MANUAL

This document is intended to describe the Message Formats supported by Buna.

1.2 DOCUMENT VERSION HISTORY

Date	Author	Version	Change Reference
02.11.2022	CMA Small Systems AB	10.4	fxtr.014 examples were added
12.10.2022	CMA Small Systems AB	10.3	MT298/379 \equiv camt.017 [15.3] is added.
03.10.2022	CMA Small Systems AB	10.1-10.2	FX rate setting and deleting are added (Chapter [15]).
28.09.2022	CMA Small Systems AB	10.0	Typos are corrected in fxtr.014 and fxtr.017 examples
08.09.2022	CMA Small Systems AB	9.9	Debiting of reserve is removed in fxtr.014 and fxtr.017
31.08.2022	CMA Small Systems AB	9.8	Chapters on Buna-IPS liquidity management [11], [14] are added from another document
24.08.2022	CMA Small Systems AB	9.7	Amendment of the description of field 52a of MT103
19.08.2022	CMA Small Systems AB	9.6	Additional comment is added to field 52a of MT103
18.07.2022	CMA Small Systems AB	9.5	Camt.998 request of payment of charges: typo in the message example was fixed
14.07.2022	CMA Small Systems AB	9.4	Mapping of Field 61 subfield 9 is changed in MT950
09.06.2022	CMA Small Systems AB	9.3	Field 21 in MTn96 based on pacs.002 always contains a reference of original transfer.
12.05.2022	CMA Small Systems AB	9.2	Branch Id is added to MT103/pacs.008, MT202/pacs.009 and MT950/camt.053
20.04.2022	CMA Small Systems AB	9.1	Additional tags are added to camt.052 and camt.053. Additional explanation is given in [1.7].
30.03.2022	CMA Small Systems AB	9.0	Additional comment is added to field 52a of MT103
11.01.2022	CMA Small Systems AB	8.5	26T format for 103 was changed from 3!n to 3!c MT102 format was deleted as it was removed from the scope
02.12.2021	CMA Small Systems AB	8.4	Camt.052/TPND Notification about top-up needed was added

			Example of Withdrawal from Buna to FHI was corrected (Creditor account was removed)
05.10.2021	CMA Small Systems AB	8.3N	Correction in Fields 50F and 59F
09.06.2021	CMA Small Systems AB	8.2N	Corrections in example of pacs.004
08.04.2021	CMA Small Systems AB	8.1N	Transfer Statuses are updated
26.02.2021	CMA Small Systems AB	8.0N	Additional comments for Fields 50a and 59a are added. Updates in message description. MT942 is removed.
28.11.2021	CMA Small Systems AB	7.0	Changes done in this version: 1) ASTS is replaced with ACST for account status message. 2) Examples of reda.064 and reda.065 are updated. 3) Priority in MT transfer sent to Buna becomes optional (default value is added during translation to MX). 4) <AcctncDtTm> is added to the pacs.002 exaples (no mapping to MT for this tag). 5) Mapping of MT191<->camt.998 is added for 'Transfer Charges'.

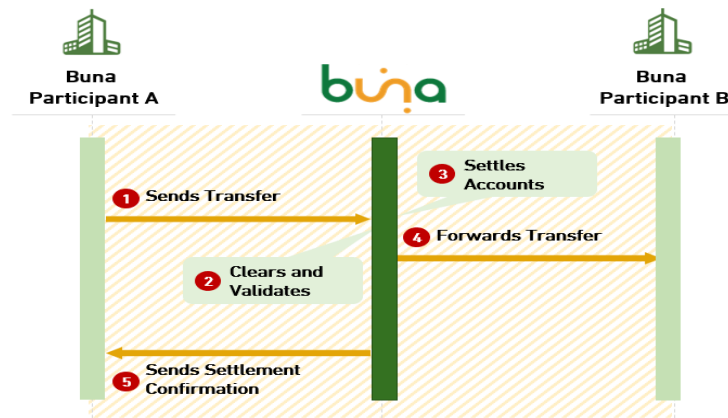
1.3 DEFINITIONS AND ABBREVIATIONS

Abbreviation	Description
A-BP	Buna Participant A
AMF	Arab Monetary Fund
AML	Anti Money Laundering
B-BP	Buna Participant B
BIC	Bank Identifier Code
CR	Carriage Return
BP	Buna Participant
ISO	International Organization for Standardization
LF	Line feed
MT	Message Type. The abbreviation is used to identify the class of the messages used in SWIFT FIN and FINCopy services
MX	The term is used to identify the messages which format corresponds to ISO 20022
Pseudo-BIC	Buna member code which syntax is similar to BIC, but the code is not registered in SWIFT directories
RTGS	Real Time Gross Settlement
TTC	Transaction Type (purpose) Code
SWIFT	Society of World-wide Interbank Financial Telecommunication

1.4 PAYMENT MESSAGE FLOW

The common scheme of the payment flow is the presented in [Figure 1]. Steps 1,2, 7 and 9 are optional.

# in the scheme	Description
1	Buna Participant A sends transfer: MT103, MT102 or MT202
2	It is possible to settle the transfer: there are enough funds on the debited account; the business day timetable allows executing transfer, etc.
3	Buna settles the transfer
4	Buna Participant B which account is credited receives copy of transfer
5	Buna Participant A receives settlement confirmation as status message



Buna successful payment flow Figure 1

1.5 STATUSES OF THE FIELDS IN THE MESSAGE DESCRIPTIONS

A field in the message format descriptions may be either optional (status “O”) or mandatory (status “M”).

“OA” means optional field with alternative mapping to MX.

“MA” means mandatory field with alternative mapping to MX.

“C” means conditional line of a field; the line can be present if upper line is present in the message.

1.6 LIST OF SYMBOLS ALLOWED FOR POINTING IN BUNA MESSAGES

0 1 2 3 4 5 6 7 8 9 () , . - / ? ' : + Space



A B C D E F G H I J K L M N O P Q R S T U V W X Y Z

a b c d e f g h i j k l m n o p q r s t u v w x y z

Code of Carriage Return (**CR**) and line feed (**LF**).

The System will not substitute chars if user submits invalid chars in the message. Wrong-formatted message are rejected by the system.

Character patterns and strings that cannot be used within message body:

- None of the fields can begin with CrLf (Carriage return-Line feed) unless otherwise specifically indicated;
- None of the fields can begin with '-'symbol (dash);
- No field can have an empty row or a row that contains only spaces;
- None of the fields can begin with ':' symbol (colon) unless it is a new field;
- References in fields 20, 21 and 70 after /ROC/ can neither begin with symbol '/', nor end with this symbol or contain two such symbols one after another.

1.7 DAY AND TIME FORMAT IN STATUS MESSAGE

Format 6!n4!n1!x4!n sets the number of characters separated by exclamation marks for date, time, time zone shift character and time zone: YYMMDDhhmmTZI. This format is used the messages to define the date/time.

- YY = year, two characters;
- MM = month, two characters (01 = January and so on);
- DD = day, two characters (from 01 to 31);
- hh = hours, two characters (from 00 to 23);
- mm = minutes, two characters (from 00 to 59);
- TZI = time zone identifier (+hhmm, or -hhmm).

Time is indicated as local time and time zone shift in hours and minutes. Time zone identifier "+hhmm" means that local time is "hh" hours and "mm" minutes ahead of UTC (Universal Time Coordinated). Time zone identifier "-hhmm" means that local time is "hh" hours and "mm" minutes behind of UTC.

Example: 2011021326+0400 means the 2nd of November 2020, 13 hours 26 minutes in Abu-Dhabi.

When defining fields format within messages, the date sub-field (6!n) should be set as YYMMDD unless otherwise stated.

When defining fields format within messages, the time sub-field (4!n) should be set as **hhmm** unless otherwise stated.

Local time including timezone should be specified in the tags of the Document tags:

2019-09-29T17:10:28+04:00

UTC time should be specified in the tags of the AppHdr tags:

2019-09-29T13:10:28Z

Milliseconds also can be specified:

2019-09-29T17:10:28.346+04:00

1.8 BIC AND PSEUDO-BIC CODES

The message examples contain BIC and Pseudo-BIC codes for illustration purposes only. When the system goes live, other codes will be used.

1.9 OTHER VALUES IN THE EXAMPLES

Times, transaction type codes, business day windows and other parameters in the examples are placed for illustration purposes only. During the preparations for the system Go-live, the parameters can be changed.

1.10 UNIQUE KEY OF THE TRANSFERS

Each transfer is uniquely identified by the following group of fields:

- Participant's BIC/Pseudo-BIC, identifying the sender of transfer (Sender of MT message, Instructing Agent of MX message);
- Transaction Reference Number (Field :20: of MT Message, <MsgId> in <GrpHdr> of MX message);
- Value Date (field :30: or first 6 symbols of field :32A: in MT message, <IntrBkSttlmDt> in MX message).

1.11 MESSAGE HEADER

Each header of MT message contains information about the participants those send or receive the message to/from Buna.

Message header is described below.

BP → Buna, Buna → BP

SWIFT/ Buna Status	Block	MT Field	MT Field Name	Format	Comment	Example	XPath in Application Header (head.001) of MX message
M/M	Either Block 1 (if Message direction is "I") or Block 2 (if Message direction is "O")	--	Sender	MT: 12!c MX: 4!a2!a2!c[3!c]	MT: Message sender. MX: BIC of the Sending Buna participant. Code of Buna in case of the messages received from the system. MT: Message sender. MX: Pseudo-BIC of the Sending Buna participant. Code of Buna in case of the messages received from the system.	MT: ABPSEGCA123 MX: ABPSEGCA456 MT: ABPNEGCAAXXX MX: ABPNEGCA	AppHdr + Fr ++ FIld +++ FinInstnld ++++ BICFI AppHdr + Fr ++ FIld +++ FinInstnld ++++ ClrSysMmbld +++++ Mmbld
--	--	--	--	MX: 4!a2!a2!c[3!c]	BIC/pseudo-BIC of an FI which sends the transfer in case the FI is not Buna participant. First 8 symbols of BIC of the FI are the same as those in Buna participant BIC/pseudo-BIC.	MX: ABPSEGCA123	AppHdr + Fr ++ FIld +++ Brnchld ++++ Id



SWIFT/ Buna Status	Block	MT Field	MT Field Name	Format	Comment	Example	XPath in Application Header (head.001) of MX message
M/M	Either Block 2 (if Message direction is "I") or Block 1 (if Message direction is "O")	--	Receiver	MT: 12!c MX: 4!a2!a2!c[3!c]	MT: Code of the Receiving Buna participant. MX: BIC of the Receiving Buna participant. Code of Buna in case of the messages sent to the system. MT: Code of the Receiving Buna participant. MX: Pseudo-BIC of the Receiving Buna participant. Code of Buna in case of the messages sent to the system.	MT: BBPSTNTTXR34 MX: BBPSTNTTR34 MT: BBPNTNTTXXXX MX: BBPNTNTTR34	AppHdr + To ++ FIld +++ FinInstnId ++++ BICFI AppHdr + To ++ FIld +++ FinInstnId ++++ ClrSysMmbld +++++ Mmbld
--	--	--	--	MX: 4!a2!a2!c[3!c]	BIC/pseudo-BIC of an FI which receives the transfer in case the FI is not Buna participant. First 8 symbols of BIC of the FI are the same as those in Buna participant BIC/pseudo-BIC.	MX: BBPSTNTTX111	AppHdr + To ++ FIld +++ Brnchld ++++ Id



Message Formats

SWIFT/ Buna Status	Block	MT Field	MT Field Name	Format	Comment	Example	XPath in Application Header (head.001) of MX message
M/M	2	--	Message direction	1!c	Either I or O. Any letter can be used, but please pay attention that this letter specifies who are Sender and Receiver in blocks 1 and 2.	MT: I	--
M/M	2	--	Message type	3!n	Message type	MT: 103 MX: pacs.008.001.08	AppHdr + MsgDefldr
O/O	3	108	Message User Reference	16x	This field is not processed by the Buna in incoming message. MT message translated from MX contains references assigned by Buna without code of Buna (from 7th till 18th positions)	<u>Message to Buna:</u> ABPSEGCR103001 <u>Message from Buna:</u> MT: 1909290001000345 MX: 190929BUNNAEAX XXX0001000345	AppHdr + BizMsgldr
C/C	3	111	Service type	3!n	MT103 and MT202 only: for GPI users in case field 121 is present. In current version field 111 is not used in the messages sent by Buna	001	--



Message Formats

SWIFT/ Buna Status	Block	MT Field	MT Field Name	Format	Comment	Example	XPath in Application Header (head.001) of MX message
O/O	3	121	UETR	36!x	MT103 and MT202 only: Unique Transaction Reference. In MX payment message, the UETR is put in the <Document> tag. See format message descriptions below. UETR is mandatory in MT202 and MT103 messages sent via SWIFT FIN.	4e7b08db-68e1-4af3-ac40-cd06623bac8a	Please refer to mapping in message description.
O/O	3	113	Priority	4!n	Settlement priority. Mandatory in MT103, MT102, MT202 and MT204 from Buna.	0020	Please refer to mapping in message description. In case field 113 is not present in MT103, MT102 or MT MT202 sent to Buna, default value is used for mapping.

Note: The MX messages can have a reference to the message which triggers the current one in AppHdr/Rltd tag of Application Header (head.001).



2 PAYMENT MESSAGES

2.1 MT103 ≡ PACS.008: SINGLE CUSTOMER CREDIT TRANSFER

2.1.1 Format of MT103 and mapping to pacs.008

Please refer to [1.11] for the description of the fields of message header which are not described in the table below.

Format of MT103 ≡ pacs.008: Single Customer Credit Transfer.

SWIFT Status	MT Field	MT Field Name	MT Format	Buna Status	Comment	Example	XPath in head.001 and pacs.008
M	Block 2	Message type	3!n	M	MT: SWIFT message type. MX: MX message type	MT: 103 MX: pacs.008.001.08	AppHdr + MsgDefldr Document AND
M	121 in Block 3	UETR	36!x	M	Unique Transaction Reference	4e7b08db-68e1-4af3-ac40-cd06623bac8a	Document + FIToFICstmrCdtTrf ++ CdtTrfTxInf +++ PmtId ++++ UETR
O	113 in Block 3	Priority	4!n	O	Settlement priority	0020	Document + FIToFICstmrCdtTrf ++ CdtTrfTxInf +++ PmtTpInf ++++ SvcLvl +++++ Prtry



Message Formats

SWIFT Status	MT Field	MT Field Name	MT Format	Buna Status	Comment	Example	XPath in head.001 and pacs.008
M	20	Sender's Reference	16x	M	Unique sequence of symbols assigned by sending participant	ABPSEGCR103001	Document + FIToFICstmrCdtTrf ++ GrpHdr +++ MsgId AND Document + FIToFICstmrCdtTrf ++ CdtTrfTxInf +++ PmtId ++++ TxId
M	23B	Bank Operation Code	4!c	M	Fixed value	MT: CRED	--
O	26T	Transaction Type Code	3!c	O	Transaction Type code.	101	Document + FIToFICstmrCdtTrf ++ CdtTrfTxInf +++ Purp ++++ Prtry
M	32A	Value Date/ Currency/ Amount	6!n	M	Value date	MT: 190929AED888,00 MX: 2019-09-29	Document + FIToFICstmrCdtTrf ++ CdtTrfTxInf +++ IntrBkSttlmDt
			3!a15d	M	Currency and amount	MT: 190929AED888,00 MX: Ccy="AED" 888.00	Document + FIToFICstmrCdtTrf ++ CdtTrfTxInf +++ IntrBkSttlmAmt
O	33B	Currency/Instru cted Amount	3!a15d	O	Any amount	MT: EGP1000, MX: Ccy= "EGP" 1000.	Document + FIToFICstmrCdtTrf ++ CdtTrfTxInf +++ InstdAmt



SWIFT Status	MT Field	MT Field Name	MT Format	Buna Status	Comment	Example	XPath in head.001 and pacs.008
O	36	Exchange Rate	12d	O	Any Exchange rate	MT: 1,0226 MX: 1.0226	Document + FIToFICstmrCdtTrf ++ CdtTrfTxInf +++ XchgRate
M	50a	Ordering customer	/34x	M	Account of Ordering customer. The account is mandatory for all options of Field 50a: 50A, 50F and 50K.	MT: /3734500000 MX: 3734500000	Document + FIToFICstmrCdtTrf ++ CdtTrfTxInf +++ DbtrAcct ++++ Id +++++ Othr ++++++ Id
	50A	Identifier Code	4!a2!a2!c[3!c]	MA	BIC of customer	ASPSEGCA	Document + FIToFICstmrCdtTrf ++ CdtTrfTxInf +++ Dbtr ++++ Id +++++ Orgld ++++++ AnyBIC
	50F	Name of Ordering Customer	1/33x	M	Mandatory for option "F"	MT: 1/National roads corp. MX: National roads corp.	Document + FIToFICstmrCdtTrf ++ CdtTrfTxInf +++ Dbtr ++++ Nm
1/2x			C	Continuation of the name. The line is present if the name contains 34 or 35 symbols.			



SWIFT Status	MT Field	MT Field Name	MT Format	Buna Status	Comment	Example	XPath in head.001 and pacs.008
		Address Line	2/33x	C	If number 2 is present, the first occurrence of number 3 must include the town in additional details.	1A building 8	Document + FIToFICstmrCdtTrf ++ CdtTrfTxInf +++ Dbtr ++++ PstlAdr +++++ AdrLine[1]
		Address Line	2/33x	C	In case first address line is present.	MT: 2/Narrow street MX: Narrow street	Document + FIToFICstmrCdtTrf ++ CdtTrfTxInf +++ Dbtr ++++ PstlAdr +++++ AdrLine[2]
		Country and Town	3/2!a[/30x] [3/33x]	M	Country represents as two-symbol ISO code. Additional details include: <ul style="list-style-type: none"> Town name after slash; Postal code after slash; Country sub-division after slash Use one slash only if one of the listed data is not available while at least one next datum is available.	MT: 3/OM/Muscat MX: OM Muscat	Document + FIToFICstmrCdtTrf ++ CdtTrfTxInf +++ Dbtr ++++ PstlAdr +++++ Ctry AND Document + FIToFICstmrCdtTrf ++ CdtTrfTxInf +++ Dbtr ++++ PstlAdr +++++ TwnNm AND Document + FIToFICstmrCdtTrf ++ CdtTrfTxInf +++ Dbtr



Message Formats

SWIFT Status	MT Field	MT Field Name	MT Format	Buna Status	Comment	Example	XPath in head.001 and pacs.008
							+++++ PstlAdr +++++ PstCd <div style="text-align: right;">AND</div> Document + FIToFICstmrCdtTrf ++ CdtTrfTxInf +++ Dbtr +++++ PstlAdr +++++ CtrySubDvsn
		Date of Birth	4/8!n	C	Date in YYYYMMDD format. Number 4 must not be used without number 5 and vice versa.	MT: 4/19590929 MX: 1959-09-29	Document + FIToFICstmrCdtTrf ++ CdtTrfTxInf +++ Dbtr +++++ Id +++++ PrvtId +++++ DtAnBPlcOfBirth +++++ BirthDt



SWIFT Status	MT Field	MT Field Name	MT Format	Buna Status	Comment	Example	XPath in head.001 and pacs.008
		Place of Birth	5/2!a/30x	C	Country is respresented as two-symbol ISO code. Number 5 must not be used without number 4 and vice versa.	MT: 5/AE/Dubai MX: AE Dubai	Document + FIToFICstmrCdtTrf ++ CdtTrfTxInf +++ Dbtr ++++ Id +++++ Prvtld ++++++ DtAnBPlcOfBirth +++++++ CtryOfBirth AND Document + FIToFICstmrCdtTrf ++ CdtTrfTxInf +++ Dbtr ++++ Id +++++ Prvtld ++++++ DtAnBPlcOfBirth +++++++ CityOfBirth
		Customer Identification Number	6/2!a/4!a/25x	OA	The field is used to identify natural persons. Country is respresented as two-symbol ISO code	MT: 6/TN..... MX: TN	Document + FIToFICstmrCdtTrf ++ CdtTrfTxInf +++ Dbtr ++++ Id +++++ Prvtld ++++++ Othr +++++++ Issr
					Type of document which identifies natural person: ARNU – Alien Registration Number;	MT: 6/TN/TXID.... MX: TXID	Document + FIToFICstmrCdtTrf ++ CdtTrfTxInf +++ Dbtr ++++ Id +++++ Prvtld



SWIFT Status	MT Field	MT Field Name	MT Format	Buna Status	Comment	Example	XPath in head.001 and pacs.008
					CCPT – Passport Number; CUST – Customer Identification Number; DRLC – Drivers License Number; EMPL – Employee Identification Number; NIDN – National Identity Number; SOSE – Social Security Number; TXID – Tax Identification Number.		+++++ Othr +++++ SchmeNm +++++ Prtry
					Document number. Not more than 25 symbols in number 6 line; Not more than 35 symbols in common. Symbols from 26 to 35 must be written in number 8 line.	MT: 6/TN/TXID/12345678 MX: 12345678	Document + FIToFICstmrCdtTrf ++ CdtTrfTxInf +++ Dbtr ++++ Id +++++ PrvtId +++++ Othr +++++ Id
		National Identity Number	7!2!a/4!a/25x	OA	The field is used to identify organizations. Country is respresented as two-symbol ISO code	MT: 7/TN..... MX: TN	Document + FIToFICstmrCdtTrf ++ CdtTrfTxInf +++ Dbtr ++++ Id +++++ OrgId +++++ Othr +++++ Issr



SWIFT Status	MT Field	MT Field Name	MT Format	Buna Status	Comment	Example	XPath in head.001 and pacs.008
					Organization Id type” BANK – Bank Party Identification; CBID – Central Bank Identification Number; CHID – Clearing Identification Number; CINC – Certificate Of Incorporation Number; COID – Country Identification Code; CUST – Customer Number; DUNS – Data Universal Numbering System; EMPL – Employer Identification Number; GS1G - GS1GLN Identifier; SREN - SIREN; SRET - SIRET; TXID – Tax Identification Number	MT: 7/TN/TXID.... MX: TXID	Document + FIToFICstmrCdtTrf ++ CdtTrfTxInf +++ Dbtr ++++ Id +++++ OrgId ++++++ Othr +++++++ SchmeNm ++++++++ Prtry



Message Formats

SWIFT Status	MT Field	MT Field Name	MT Format	Buna Status	Comment	Example	XPath in head.001 and pacs.008
					Organization Id. Not more than 25 symbols in number 6 line; Not more than 35 symbols in common. Symbols from 26 to 35 must be written in number 8 line.	MT: 7/TN/TXID/12345678 90123456789012345 MX: 12345678901234567 89012345678901	Document + FIToFICstmrCdtTrf ++ CdtTrfTxInf +++ Dbtr ++++ Id +++++ Orgld ++++++ Othr +++++++ Id
		Additional Information	8/10x	C	Extra symbol(s) if Id in number 6 or 7 line exceeds 25 symbols.	MT: 678901	Document + FIToFICstmrCdtTrf ++ CdtTrfTxInf +++ Dbtr ++++ Id +++++ Prvtld ++++++ Othr +++++++ Id OR Document + FIToFICstmrCdtTrf ++ CdtTrfTxInf +++ Dbtr ++++ Id +++++ Orgld ++++++ Othr +++++++ Id
	50K		35x	M	Name of Ordering customer	OPEN SYSTEMS LTD	Document + FIToFICstmrCdtTrf ++ CdtTrfTxInf +++ Dbtr ++++ Nm



SWIFT Status	MT Field	MT Field Name	MT Format	Buna Status	Comment	Example	XPath in head.001 and pacs.008
			35x [2*35x]	M	Address of Ordering customer. Each MT line is mapped into separate MX tag. A colon : or hyphen - must never be used as the first character of a line. At least one address line is mandatory	Cairo	Document + FIToFICstmrCdtTrf ++ CdtTrfTxInf +++ Dbtr ++++ PstlAdr +++++ AdrLine[1]..[3]
O	52a	Ordering Institution	/3!a/	OA	Keyword FHI with slash after keyword in MT message.	MT: /FHI/CBAUAEAA MX: FHI	Document + FIToFICstmrCdtTrf ++ CdtTrfTxInf +++ InstgAgt ++++ FinInstnId +++++ Othr +++++ SchmeNm +++++ Prtry
			4!a2!a2!c[3!c]		FHI of Buna Participant involved in payment exchange.	MT: /FHI/CBAUAEAA MX: CBAUAEAA	Document + FIToFICstmrCdtTrf ++ CdtTrfTxInf +++ InstgAgt ++++ FinInstnId +++++ Othr +++++ Id



SWIFT Status	MT Field	MT Field Name	MT Format	Buna Status	Comment	Example	XPath in head.001 and pacs.008
	52A		4!a2!a2!c[3!c]	MA	BIC of the financial institution of the ordering customer, when different from the Sender, even if field 50a contains an IBAN. MX: Ordering Institution BIC.	ABPSEGCA	Document + FIToFICstmrCdtTrf ++ CdtTrfTxInf +++ DbtrAgt ++++ FinInstnId +++++ BICFI AND Document + FIToFICstmrCdtTrf ++ CdtTrfTxInf +++ InstgAgt ++++ FinInstnId +++++ BICFI
	52D		4!a2!a2!c[3!c]	MA	Pseudo-BIC of the financial institution of the ordering customer, when different from the Sender, even if field 50a contains an IBAN. MX: Ordering Institution pseudo-BIC.	ABPNEGCA	Document + FIToFICstmrCdtTrf ++ CdtTrfTxInf +++ DbtrAgt ++++ FinInstnId +++++ ClrSysMmbld +++++ Mmbld AND Document + FIToFICstmrCdtTrf ++ CdtTrfTxInf +++ InstgAgt ++++ FinInstnId +++++ ClrSysMmbld +++++ Mmbld



SWIFT Status	MT Field	MT Field Name	MT Format	Buna Status	Comment	Example	XPath in head.001 and pacs.008
--	--	--	--	O	MX: BIC/pseudo-BIC of an FI which sends the transfer in case the FI is not a Buna participant. First 8 symbols of BIC of the FI are the same as those in Buna participant BIC/pseudo-BIC.		Document + FIToFICstmrCdtTrf ++ CdtTrfTxInf +++ DbtrAgt ++++ BrnchId +++++ Id AND Document + FIToFICstmrCdtTrf ++ CdtTrfTxInf +++ InstgAgt ++++ BrnchId +++++ Id
O	57A	Account with institution	4!a2!a2!c[3!c]	MA	BIC of crediting BP. MX: always Buna participant BIC even in case the transfer is received by another FI which first 8 symbols of BIC are the same as those in Buna participant BIC.	BIPSTNTT	Document + FIToFICstmrCdtTrf ++ CdtTrfTxInf +++ CdtrAgt ++++ FinInstnId +++++ BICFI



SWIFT Status	MT Field	MT Field Name	MT Format	Buna Status	Comment	Example	XPath in head.001 and pacs.008
	57D		4!a2!a2!c[3!c]	MA	Pseudo-BIC of crediting BP. MX: always Buna participant pseudo-BIC even in case the transfer is received by another FI which first 8 symbols of BIC are the same as those in Buna participant pseudo-BIC.	BIPSTNTT	Document + FIToFICstmrCdtTrf ++ CdtTrfTxInf +++ CdtrAgt ++++ FinInstnId +++++ ClrSysMmbld ++++++ Mmbld
--	--	--	--	O	MX: BIC/pseudo-BIC of an FI which receives the transfer in case the FI is not Buna participant. First 8 symbols of BIC of the FI are the same as those in Buna participant BIC/pseudo-BIC.		Document + FIToFICstmrCdtTrf ++ CdtTrfTxInf +++ CdtrAgt ++++ BrnchId +++++ Id AND Document + FIToFICstmrCdtTrf ++ CdtTrfTxInf +++ InstdAgt ++++ BrnchId +++++ Id
M	59a	Beneficiary customer	/34x	M	Account of Beneficiary customer opened at Crediting participant. The account is mandatory for all options of Field 59a: 59A and 59F and 59.	MT: /385430000012 MX: 385430000012	Document + FIToFICstmrCdtTrf ++ CdtTrfTxInf +++ CdtrAcct ++++ Id +++++ Othr ++++++ Id



SWIFT Status	MT Field	MT Field Name	MT Format	Buna Status	Comment	Example	XPath in head.001 and pacs.008
	59A	Identifier Code	4!a2!a2!c[3!c]	MA	BIC of customer	ASPSEGCA	Document + FIToFICstmrCdtTrf ++ CdtTrfTxInf +++ Cdtr ++++ Id +++++ Orgld ++++++ AnyBIC
	59F	Name of Beneficiary Customer	1/33x	M	Mandatory for option "F"	MT: 1/National roads corp. MX: National roads corp.	Document + FIToFICstmrCdtTrf ++ CdtTrfTxInf +++ Cdtr ++++ Nm
			1/2x	O	Continuation of the name. The line is present if the name contains 34 or 35 symbols.		
		Address Line	2/33x	C	If number 2 is present, the first occurrence of number 3 must include the town in additional details.	1A building 8	Document + FIToFICstmrCdtTrf ++ CdtTrfTxInf +++ Cdtr ++++ PstlAdr +++++ AdrLine[1]
		Address Line	2/33x	C	In case first address line is present.	MT: 2/Narrow street MX: Narrow street	Document + FIToFICstmrCdtTrf ++ CdtTrfTxInf +++ Cdtr ++++ PstlAdr +++++ AdrLine[2]



Message Formats

SWIFT Status	MT Field	MT Field Name	MT Format	Buna Status	Comment	Example	XPath in head.001 and pacs.008
		Country and Town	3/2!a[/30x] [3/33x]	M	<p>Country represents as two-symbol ISO code. Additional details include:</p> <ul style="list-style-type: none"> Town name after slash; Postal code after slash; Country sub-division after slash <p>Use one slash only if one of the listed data is not available while at least one next datum is available.</p>	<p>MT: 3/OM/Muscat MX: OM Muscat</p>	<p>Document + FIToFICstmrCdtTrf ++ CdtTrfTxInf +++ Cdtr ++++ PstlAdr +++++ Ctry</p> <p style="text-align: right;">AND</p> <p>Document + FIToFICstmrCdtTrf ++ CdtTrfTxInf +++ Cdtr ++++ PstlAdr +++++ TwnNm</p> <p style="text-align: right;">AND</p> <p>Document + FIToFICstmrCdtTrf ++ CdtTrfTxInf +++ Cdtr ++++ PstlAdr +++++ PstCd</p> <p style="text-align: right;">AND</p> <p>Document + FIToFICstmrCdtTrf ++ CdtTrfTxInf +++ Cdtr ++++ PstlAdr +++++ CtrySubDvsn</p>



SWIFT Status	MT Field	MT Field Name	MT Format	Buna Status	Comment	Example	XPath in head.001 and pacs.008
	59		35x	M	Name of Beneficiary customer	PT. DELTA	Document + FIToFICstmrCdtTrf ++ CdtTrfTxInf +++ Cdtr ++++ Nm
			35x [2*35x]	O	Address of Beneficiary customer. A colon : or hyphen - must never be used as the first character of a line. At least one address line is mandatory	Tunis	Document + FIToFICstmrCdtTrf ++ CdtTrfTxInf +++ Cdtr ++++ PstlAdr +++++ AdrLine[1]..[3]
O	70	Remittance Information	/3!a/16x	O	Reference of customer after /ROC/ keyword. If there is no the reference, MX EndToEndId tag specifies NOTPROVIDED keyword	MT: /ROC/ 23423423423 MX: 23423423423	Document + FIToFICstmrCdtTrf ++ CdtTrfTxInf +++ Pmtld ++++ EndToEndId
			4*35x or 3*35 in case ROC is specified	O	See comment below the table	Payment for Invoice CIPSEGCR103001	Document + FIToFICstmrCdtTrf ++ CdtTrfTxInf +++ RmtInf ++++ Ustrd[1]...[4]
M	71A	Details of Charges	3!a	M	Possible values: MT: OUR ~ MX: DEBT, MT: SHA ~ MX: SHAR, MT: BEN~ MX: CRED	MT: OUR MX: DEBT	Document + FIToFICstmrCdtTrf ++ CdtTrfTxInf +++ ChrgBr



Message Formats

SWIFT Status	MT Field	MT Field Name	MT Format	Buna Status	Comment	Example	XPath in head.001 and pacs.008
O (Rep e- titive)	71F	Sender's Charges	3!a15d	O (Rep e- titive)	Transaction charges on the Sender's side	MT: AED5 , MX: Ccy= "AED" 5.	Document + FIToFICstmrCdtTrf ++ CdtTrfTxInf +++ ChrgsInf ++++ Amt
				OA	If BIC is not equal to BIC of Instructed Agent	ABPSEGCA	Document + FIToFICstmrCdtTrf ++ CdtTrfTxInf +++ ChrgsInf ++++ Agt +++++ FinInstnId ++++++ BICFI
				OA	If Pseudo-BIC is not equal to Pseudo-BIC of Instructed Agent	ABPNEGCA	Document + FIToFICstmrCdtTrf ++ CdtTrfTxInf +++ ChrgsInf ++++ Agt +++++ FinInstnId ++++++ ClrSysMmbld +++++++ Mmbld
				OA	See comments below	NOTPROVIDED	Document + FIToFICstmrCdtTrf ++ CdtTrfTxInf +++ ChrgsInf ++++ Agt +++++ FinInstnId ++++++ ClrSysMmbld +++++++ Mmbld



Message Formats

SWIFT Status	MT Field	MT Field Name	MT Format	Buna Status	Comment	Example	XPath in head.001 and pacs.008
O	71G	Receiver's Charges	3!a15d	O	Transaction charges on the Receiver's side	MT: AED6 , MX: Ccy= "AED" 6.	Document + FIToFICstmrCdtTrf ++ CdtTrfTxInf +++ ChrgsInf ++++ Amt
				OA	The same as BIC of Instructed Agent	BBPSTNTT	Document + FIToFICstmrCdtTrf ++ CdtTrfTxInf +++ ChrgsInf ++++ Agt +++++ FinInstnld ++++++ BICFI
				OA	The same as Pseudo-BIC of Instructed Agent	BBPNTNTT	Document + FIToFICstmrCdtTrf ++ CdtTrfTxInf +++ ChrgsInf ++++ Agt +++++ FinInstnld ++++++ ClrSysMmbld +++++++ Mmbld
O	72	Sender to Receiver Information	/3!c/30x	O	Additional info for receiving participant.	MT: /ACC/Test MX: /ACC/Test	Document + FIToFICstmrCdtTrf ++ CdtTrfTxInf +++ InstrForCdtrAgt[1] ++++ InstrInf
			5*//33x	C	Continuation of additional information. See also comment below the table	MT: //Continuation of comment MX: //Continuation of comment	Document + FIToFICstmrCdtTrf ++ CdtTrfTxInf +++ InstrForCdtrAgt[2]..[5] ++++ InstrInf



Message Formats

SWIFT Status	MT Field	MT Field Name	MT Format	Buna Status	Comment	Example	XPath in head.001 and pacs.008
O	77B	Regulatory reporting	3*35x	O	Information agreed between participants of the system and System Operator. Each MT line is mapped to an MX tag. A colon : or hyphen - must never be used as the first character of a line	TAX PENALTY	Document + FIToFICstmrCdtTrf ++ CdtTrfTxInf +++ RgltryRptg ++++ Dtls +++++ Inf[1].. [3]
--	--	--	--	M	Time of message creation	2019-09-29T17:10:28Z	AppHdr + CreDt
--	--	--	--	M	Time of message creation	2019-09-29T17:10:28+04:00	Document + FIToFICstmrCdtTrf ++ GrpHdr +++ CreDtTm
--	--	--	--	M	Fixed value	false	Document + FIToFICstmrCdtTrf ++ GrpHdr +++ BtchBookg
--	--	--	--	M	Fixed value	1	Document + FIToFICstmrCdtTrf ++ GrpHdr +++ NbOfTxS
--	--	--	--	M	Fixed value	CLRG	Document + FIToFICstmrCdtTrf ++ GrpHdr +++ SttlmInf ++++ SttlmMtd



SWIFT Status	MT Field	MT Field Name	MT Format	Buna Status	Comment	Example	XPath in head.001 and pacs.008
--	--	--	--	M	Fixed value	RTGS	Document + FIToFICstmrCdtTrf ++ CdtTrfTxInf +++ PmtTplnf ++++ ClrChanl
--	--	--	--	M	Fixed value. Please note: the particular code can be changed in the newer versions of message format	SCYN-SCCT-CONV	Document + FIToFICstmrCdtTrf ++ CdtTrfTxInf +++ PmtTplnf ++++ LclInstrm +++++ Prtry

Additional comments

Field :20: specifies Transaction Reference Number. This field, in conjunction with Participant's BIC and Value Date of transfer composes a unique key of transfer (refer to item [1.10]).

Field :23B: must contain fixed value CRED.

Field :32A: specifies Value Date, Currency Code and Amount.

Field :50a: should be filled according to the System regulations. Buna checks only syntax rules for this field. **Table 1** below describes MX to MT translation.

Fields :52a: specifies:

BIC/Pseudo-BIC of BP which account to be debited in Buna. If BP has more than one Buna settlement accounts in the settlement currency, then FHI must be specified as Party Identifier after /FHI/ keyword in the first line of field 52a.

Fields :57a: specifies:

BIC/Pseudo-BIC of BP which settlement account to be credited in Buna. The account is linked to the same FHI as settlement account of debited BP.

Fields :52a: and :57a: may contain either "A" or "D" letter to substitute the letter "a" after a field number.

- Option "A" is used when an institution specified in the field is represented as BIC registered in SWIFT;
- Option "D" is used otherwise.

Field :59a: should be filled according to System regulations. Buna checks only syntax rules for this field. **Table 2** below describes MX to MT translation.

Field :70: may contain ROC (Reference of Customer) code between slashes.

Field :71A: specifies either OUR, or SHA or BEN.

SWIFT Network Validated rule C14 will be applied to the fields :71F: and :71G:



- If field 71A specifies OUR, then field 71F is not allowed and field 71G is optional;
- If field 71A specifies SHA, then field(s) 71F is(are) optional and field 71G is not allowed;
- If field 71A specifies BEN, then at least one occurrence of field 71F is mandatory and field 71G is not allowed.

Buna will not check the relationship between the amount related fields 33B, 36, 71G, 71F and 32A.

Field :72: specifies Sender to Receiver information.

The following code can be used in this field:

1. /ACC/<information> for additional information from Sender to Receiver.
2. For continuation of additional information, use double slashes at the beginning of the next lines.

Message from participant: Field 72 must not specify more than five lines in total.

Message to participant: Field 72 may have 6 lines in total.

Field :77B: specifies necessary information in accordance with agreement between System Operator and participants in the system.

MX message:

- tags related to Instructing Agent and Instructed Agent must be specified in <CdtTrfTxInf> tag of pacs.008 which is equivalent of MT103.
- Local instrument for:
 - Single Customer Credit Payment: SCYN-SCCT-CONV — Single-CurrencY Normal Single Customer Credit Transfer Conventional

Case: Charging Option SHA or BEN in Field 71A

IF

71A\Details of Charges is equal to "SHA" or "BEN"

AND

71F\Sender's Charges is present one time

THEN

The last occurrence of MT field 71F\Sender's Charges always contains charges taken by the Sender ≡ Instructing Agent.

/Document/FIToFICstmrCdtTrf/CdtTrfTxInf/ChrgsInf/Agnt/Finl nstnId/BICFI := BIC of Instructing Agent.

Or

/Document/FIToFICstmrCdtTrf/CdtTrfTxInf/ChrgsInf/Agnt/Finl nstnId/ClrSysMmbld/Mmbld := Pseudo-BIC of Instructing Agent.

FI

IF

71A\Details of Charges is equal to "SHA" or "BEN"

AND

71F\Sender's Charges is present two times

THEN



The first occurrence of MT field 71F\Sender's Charges contains charges taken by the Ordering Institution \equiv Debtor Agent.

/Document/FIToFICstmrCdtTrf/CdtTrfTxInf/ChrgsInf/Agt/Finl nstnId/BICFI := BIC of Debtor Agent.

Or

/Document/FIToFICstmrCdtTrf/CdtTrfTxInf/ChrgsInf/Agt/Finl nstnId/ClrSysMmbld/Mmbld := Pseudo-BIC of Debtor Agent.

FI

IF

71A\Details of Charges is equal to "SHA" or "BEN"

AND

71F\Sender's Charges is present more than two times

THEN

Other occurrences of MT field 71F\Sender's Charges contain charges taken by the Previous Institutions \equiv Previous Instructing Agents.

/Document/FIToFICstmrCdtTrf/CdtTrfTxInf/ChrgsInf/Agt/Finl nstnId/ClrSysMmbld/Mmbld := NOTPROVIDED.

FI

Case: Charging Option OUR in Field 71A

IF

71A\Details of Charges is equal to "OUR"

AND

71G\Receiver's Charges is present

THEN

The (single) occurrence of MT field 71G\Receiver's Charges contains charges due to the Receiver \equiv Instructed Agent.

/Document/FIToFICstmrCdtTrf/CdtTrfTxInf/ChrgsInf/Agt/Finl nstnId/BICFI := BIC of Instructed Agent.

Or

/Document/FIToFICstmrCdtTrf/CdtTrfTxInf/ChrgsInf/Agt/Finl nstnId/ClrSysMmbld/Mmbld := Pseudo-BIC of Instructed Agent.

FI



Table 1. Field 50a: translation from MX to MT.

MX tag	50A	50F	50K	MT population
Document + FIToFICstmrCdtTrf ++ CdtTrfTxInf +++ DbtrAcct ++++ Id	Yes	Yes	Yes	:50a:<DbtrAcct/Id>
Document + FIToFICstmrCdtTrf ++ CdtTrfTxInf +++ Dbtr ++++ Id +++++ OrgId ++++++ AnyBIC	Yes	No	No	:50A:<Debtor Account> <Identifier Code>
Document + FIToFICstmrCdtTrf ++ CdtTrfTxInf +++ Dbtr ++++ Nm	Ignore	Yes. Use a second line of number 1 if Name's length is 34 or 35 symbols.	Yes	:50F: 1/<Nm> :50K: <Nm>
Document + FIToFICstmrCdtTrf ++ CdtTrfTxInf +++ Dbtr ++++ PstlAdr +++++ Ctry AND Document + FIToFICstmrCdtTrf ++ CdtTrfTxInf	Ignored	Optional. Translation to option 50F should be tried first if PstlAdr/Ctry is present in the message. Repeat number 3 line if data cannot be placed in a single line. Use slashes between data. Number 3 cannot be present more than two times. In MX to MT translation, the common length of	Optional. Ignored if 3 <AdrLine> tags are present in the message	:50F: 1/<Nm> [2/<AdrLine>] [2/<AdrLine>] 3/<Ctry>/<TwnNm>/<PstCd>/<CtrySubDvs n> :50K: <Nm> [<AdrLine>]



MX tag	50A	50F	50K	MT population
<p>+++ Dbtr +++++ PstlAdr ++++++ TwNm</p> <p style="text-align: right;">AND</p> <p>Document + FIToFICstmrCdtTrf ++ CdtTrfTxInf +++ Dbtr +++++ PstlAdr ++++++ PstCd</p> <p style="text-align: right;">AND</p> <p>Document + FIToFICstmrCdtTrf ++ CdtTrfTxInf +++ Dbtr +++++ PstlAdr ++++++ CtrySubDvsn</p>		<p>'/<Ctry>/<TwnNm>/<PstCd>/<CtrySubDvsn>' cannot exceed 66 symbols.</p>		<p>[<AdrLine>] [<AdrLine>] <Ctry>/<TwnNm>/<PstCd>/<CtrySubDvsn></p>



MX tag	50A	50F	50K	MT population
Document + FIToFICstmrCdtTrf ++ CdtTrfTxInf +++ Dbtr +++++ PstlAdr ++++++ AdrLine	Ignored	Optional. Can be repeated not more than 2 times. Use option "K" if length of any <AdrLine> is more than 33 symbols or a third repetition of <AdrLine> is present. Ignored if no <Ctry>. Translation to 50K should be done in this case. Both tags or second tag are/is ignored if Subfield 2 is already populated with 4 lines	Optional	:50F: 1/<Nm> 2/<AdrLine> [2/<AdrLine>] :50K: <Nm> <AdrLine> [<AdrLine>] [<AdrLine>]
Document + FIToFICstmrCdtTrf ++ CdtTrfTxInf +++ Dbtr +++++ Id ++++++ Prvtld ++++++ DtAnBPicOfBirth ++++++ BirthDt AND Document + FIToFICstmrCdtTrf ++ CdtTrfTxInf +++ Dbtr +++++ Id ++++++ Prvtld	Ignored	Optional. The tags are ignored if Subfield 2 is already populated with 4 lines.	Ignored	:50F: 1/<Nm> 4/<BirthDt> 5/<CtryOfBirth>/<CityOfBirth>



MX tag	50A	50F	50K	MT population
++++++ DtAnBPlcOfBirth ++++++ CtryOfBirth AND Document + FIToFICstmrCdtTrf ++ CdtTrfTxInf +++ Dbtr ++++ Id +++++ Prvtld ++++++ DtAnBPlcOfBirth ++++++ CityOfBirth				
Document + FIToFICstmrCdtTrf ++ CdtTrfTxInf +++ Dbtr ++++ Id +++++ Prvtld ++++++ Othr ++++++ Issr AND Document + FIToFICstmrCdtTrf ++ CdtTrfTxInf +++ Dbtr ++++ Id +++++ Prvtld ++++++ Othr ++++++ SchmeNm ++++++ Prtry == (DRLC or CUST or SOSE or ARNU or	Ignore	Optional The tags are ignored if Subfield 2 is already populated with 4 lines.	Ignore	:50F: 6/<Issr>/<Cd>/<Id> 8/<Continuation of Id>



MX tag	50A	50F	50K	MT population
<p>CCPT or TXID or NIDN or EMPL)</p> <p>AND</p> <p>Document + FIToFICstmrCdtTrf ++ CdtTrfTxInf +++ Dbtr ++++ Id +++++ PrvtId ++++++ Othr +++++++ Id</p> <p>////////////////////////////////////</p> <p>Document + FIToFICstmrCdtTrf ++ CdtTrfTxInf +++ Dbtr ++++ Id +++++ OrgId ++++++ Othr +++++++ Issr</p> <p>AND</p> <p>Document + FIToFICstmrCdtTrf ++ CdtTrfTxInf +++ Dbtr ++++ Id +++++ OrgId ++++++ Othr +++++++ SchmeNm ++++++++ Prtry</p> <p>AND</p>	<p>Ignore d</p>	<p>Optional. The tags are ignored if Subfield 2 is already populated with 4 lines.</p>	<p>Ignore</p>	<p>:50F: 7/<Issr>/<Cd>/<Id> 8/<Continuation of Id></p>



MX tag	50A	50F	50K	MT population
Document + FIToFICstmrCdtTrf ++ CdtTrfTxInf +++ Dbtr ++++ Id +++++ OrgId ++++++ Othr +++++++ Id				

Table 2. Field 59a: translation from MX to MT.

MX tag	59A	59F	59	MT population
Document + FIToFICstmrCdtTrf ++ CdtTrfTxInf +++ CdtrAcct ++++ Id	Yes	Yes	Yes	:59a:<DbtrAcct/Id>
Document + FIToFICstmrCdtTrf ++ CdtTrfTxInf +++ Cdtr ++++ Id	Yes	No	No	:59A:<Debtor Account> <Identifier Code>



MX tag	59A	59F	59	MT population
+++++ OrgId ++++++ AnyBIC				
Document + FIToFICstmrCdtTrf ++ CdtTrfTxInf +++ Cdtr ++++ Nm	Ignore	Yes. Use a second line of number 1 if Name's length is 34 or 35 symbols.	Yes	:59F: 1/<Nm> :59: <Nm>
Document + FIToFICstmrCdtTrf ++ CdtTrfTxInf +++ Cdtr ++++ PstlAdr +++++ Ctry AND Document + FIToFICstmrCdtTrf ++ CdtTrfTxInf +++ Cdtr ++++ PstlAdr +++++ TwNnm AND Document + FIToFICstmrCdtTrf ++ CdtTrfTxInf +++ Cdtr ++++ PstlAdr +++++ PstCd	Ignored	Optional. Translation to option 50F should be tried first if PstlAdr/Ctry is present in the message. Repeat number 3 line if data cannot be placed in a single line. Use slashes between data. Number 3 cannot be present more than two times. In MX to MT translation, the common length of ' <Ctry>/<TwNnm>/<PstCd>/<CtrySubDvsn> ' cannot exceed 66 symbols.	Optional. Ignored if 3 <AdrLine> tags are present in the message	:59F: 1/<Nm> [2/<AdrLine>] [2/<AdrLine>] 3/ <Ctry>/<TwNnm>/<PstCd>/<CtrySubDvsn> :59: <Nm> [<AdrLine>] [<AdrLine>] <Ctry>/<TwNnm>/<PstCd>/<CtrySubDvsn>



MX tag	59A	59F	59	MT population
AND				
Document + FIToFICstmrCdtTrf ++ CdtTrfTxInf +++ Cdtr ++++ PstlAdr +++++ CtrySubDvsn				
Document + FIToFICstmrCdtTrf ++ CdtTrfTxInf +++ Cdtr ++++ PstlAdr +++++ AdrLine	Ignored	Optional. Can be repeated not more than 2 times. Use no option if length of any <AdrLine> is more than 33 symbols or a third repetition of <AdrLine> is present. Ignored if no <Ctry>. Translation to 59 should be done in this case. Both tags or second tag are/is ignored if Subfield 2 is already populated with 4 lines	Optional	:59F: 1/<Nm> 2/<AdrLine> [2/<AdrLine>] :59: <Nm> <AdrLine> [<AdrLine>] [<AdrLine>]

Table 3. 50a field format

Option A	[/34x] 4!a2!a2!c[3!c]	(Account) (Identifier Code)
Option F	35x 4*(1!n/33x)	(Party Identifier) (Number/Name and Address)



Option K

[/34x]
4*35x

(Account)
(Name and Address)



2.1.2 Single Customer payments: Usage cases and examples

Buna Participant A is debited in Buna; Buna Participant B is credited in Buna.

The following combinations of sending and receiving parties are allowed:

Case 1

Payment from Buna Participant A to Buna Participant B.

Table 4. Single Customer Credit Transfer: SCYN-SCCT-CONV.

Leg 1			Leg 2		
Sending message			Receiving message		
MT103 field	Content	pac.008 tag	pac.008 tag	Content	MT103 field
52a	Buna Participant A	Debtor Agent	Debtor Agent	Buna Participant A	52a
--	Buna Participant A	Instructing Agent	Instructing Agent	Buna Participant A	--
Sender	Buna Participant A	From	From	Buna	Sender
Receiver	Buna	To	To	Buna Participant B	Receiver
--	Buna Participant B	Instructed Agent	Instructed Agent	Buna Participant B	--
57a	Buna Participant B	Creditor Agent	Creditor Agent	Buna Participant B	57a

Example of Case 1 (Option 'F' in field 50a and 59a)

Leg 1



MT103: Credit transfer from A-BP to Buna

```
{1:F01ABPSEGCAXXXX}{2:I103BUNNAEAXXXN}{3:{113:0020}{108:ABPSEGCR103001}{111:001}{121:4e7b08db-68e1-4af3-ac40-
cd06623bac8a}}{4:
:20:ABPSEGCR103001
:23B:CRED
:32A:190929AED888,00
:50F:/3734500000
1/OPEN SYSTEMS LTD
2/18 SPORT ZONE SPACE ATRIUM
3/EG/Cairo
7/EG/TXID/1234567890123456789012345
:52A:/FHI/CBAUAEAA
ABPSEGCA
:57A:BBPSTNTT120
:59F:/3854300000
1/SUPER SYSTEMS LTD
2/12 Green Trees str.
3/TN/Tunis/123456
:70:/ROC/CIPSEGCR103001
/INV/52
:71A:OUR
:72:/ACC/Test
:77B:PERIEWRJIWEK
-}
```

MX equivalent processed by Buna

```
<?xml version="1.0" encoding="UTF-8"?>
<!-- Application header -->
<AppHdr xmlns="urn:iso:std:iso:20022:tech:xsd:head.001.001.01">
<!-- Message Sender: -BP-->
  <Fr>
    <FIId>
      <FinInstnId>
        <BICFI>ABPSEGCA</BICFI>
```



```
        </FinInstnId>
    </FIld>
</Fr>
<!-- Message Receiver : Buna-->
<To>
    <FIld>
        <FinInstnId>
            <BICFI>BUNNAEAA</BICFI>
        </FinInstnId>
    </FIld>
</To>
<!-- Message Reference -->
<BizMsgIdr>ABPSEGCR103001</BizMsgIdr>
<!-- Message Type -->
<MsgDefldr>pacs.008.001.08</MsgDefldr>
<!-- Message Creation Date/Time-->
<CreDt>2019-09-29T09:02:00Z</CreDt>
</AppHdr>

<!-- Document -->
<Document xmlns="urn:iso:std:iso:20022:tech:xsd:pacs.008.001.08">
    <FIToFICstmrCdtTrf>
        <GrpHdr>
            <!--Unique message reference as generated by sending party -->
                <MsgId>ABPSEGCR103001</MsgId>
            <!-- Message creation date-time -->
                <CreDtTm>2019-09-29T09:02:00+04:00</CreDtTm>
            <!-- Fixed value <<false>> for MT103 equivalent -->
                <BtchBookg>false</BtchBookg>
            <!-- Fixed value <<1>> for MT103 equivalent -->
                <NbOfTxS>1</NbOfTxS>
            <!-- In this message version: Fixed value CLRG -->
                <SttlmInf>
                    <SttlmMtd>CLRG</SttlmMtd>
                </SttlmInf>
        </GrpHdr>
    </FIToFICstmrCdtTrf>
</Document>
```




```
</GrpHdr>
  <CdtTrfTxInf>
    <PmtId>
      <!--End-to-End reference. Equivalent of field 70:/ROC/ in MT103 in this message version. NOTPROVIDED if there no such reference -->
      <EndToEndId>CIPSEGCR103001</EndToEndId>
      <!-- Unique transaction reference as generated by sending party. The same as MsgId in this message version -->
      <TxId>ABPSEGCR103001</TxId>
      <!-- UETR-->
      <UETR>4e7b08db-68e1-4af3-ac40-cd06623bac8a</UETR>
    </PmtId>
    <PmtTpInf>
      <!--Fixed value RTGS in this message version -->
      <ClrChanl>RTGS</ClrChanl>
      <!-- Settlement priority -->
      <SvcLvl><Prtry>0020</Prtry></SvcLvl>
      <!--Local instrument code identifying business process of the payment. Fixed value -->
      <LclInstrm>
        <Prtry>SCYN-SCCT-CONV</Prtry>
      </LclInstrm>
    </PmtTpInf>
    <!--Payment amount and currency code -->
    <IntrBkSttlmAmt Ccy="AED">888.</IntrBkSttlmAmt>
    <!--Requested payment settlement date -->
    <IntrBkSttlmDt>2019-09-29</IntrBkSttlmDt>
    <!--Charges bearer indication. -->
    <ChrgBr>DEBT</ChrgBr>
    <!--Instructing agent. BP who is sending the payment and dedited in Buna. BICFI for swift-registered BICs.
    ClrSysMmbld/Mmbld for pseudo-BIC codes (non-swift registered)-->
    <InstgAgt>
      <FinInstnId>
        <BICFI>ABPSEGCA</BICFI>
        <Othr>
          <Id>CBAUAEAA</Id>
```



```
        <SchmeNm>
          <Prtry>FHI</Prtry>
        </SchmeNm>
      </Othr>
    </FinInstnId>
  </InstgAgt>
```

<!--Instructed agent. BP who is receiving the payment and credited in Buna. BICFI for swift-registered BICs. ClrSysMmbld/Mmbld for pseudo-BIC codes (non-swift registered)-->

```
    <InstdAgt>
      <FinInstnId>
        <BICFI>BBPSTNTT</BICFI>
      </FinInstnId>
      <BrnchId>
        <Id>BBPSTNTT120</Id>
      </BrnchId>
    </InstdAgt>
```

<!--Debtor client information -->

```
  <Dbtr>
```

<!--Debtor client name -->

```
    <Nm>OPEN SYSTEMS LTD</Nm>
```

<!--Debtor client postal address -->

```
  <PstlAdr>
    <PstCd>123456</PstCd>
    <TwnNm>Cairo</TwnNm>
    <Ctry>EG</Ctry>
    <AdrLine>18 SPORT ZONE SPACE ATRIUM</AdrLine>
  </PstlAdr>
  <Id>
    <OrgId>
      <Othr>
        <Id>1234567890123456789012345</Id>
        <SchmeNm>
          <Prtry>TXID</Prtry>
        </SchmeNm>
        <Issr>EG</Issr>
```

```
        </Othr>
      </OrgId>
    </Id>
  </Dbtr>
```

<!--Debtor client account in Field 50 of MT103 -->

```
<DbtrAcct>
  <Id>
    <Othr>
      <Id>3734500000</Id>
    </Othr>
  </Id>
</DbtrAcct>
```

<!--Debtor agent: Participant in Field 52a of MT103-->

```
<DbtrAgt>
  <FinInstnId>
    <BICFI>ABPSEGCA</BICFI>
  </FinInstnId>
</DbtrAgt>
```

<!--Creditor agent. Participant in Field 57a of MT103**BICFI for SWIFT-registered participants. ClrSysMmbld/Mmbld for pseudo-BIC codes (non-swift registered) -->**

```
<CdtrAgt>
  <FinInstnId>
    <BICFI>BBPSTNTT</BICFI>
  </FinInstnId>
</CdtrAgt>
```

<!--Creditor client information -->

```
<Cdtr>
```

<!--Creditor client name -->

```
<Nm>SUPER SYSTEMS LTD</Nm>
```

<!--Creditor client postal address -->

```
<PstlAdr>
  <PstCd>123456</PstCd>
  <TwnNm>Tunis</TwnNm>
  <Ctry>TN</Ctry>
```



```
        <AdrLine>12 Green Trees str.</AdrLine>
    </PstlAdr>
</Cdtr>
<!--Creditor client account -->
    <CdtrAcct>
        <Id>
            <Othr>
                <Id>3854300000</Id>
            </Othr>
        </Id>
    </CdtrAcct>
<!--Additional information about payment. Equivalent of Field 72 in MT103 -->
    <InstrForCdtrAgt>
        <InstrInf>/ACC/Test</InstrInf>
    </InstrForCdtrAgt>
    <InstrForCdtrAgt>
        <InstrInf>//Continuation</InstrInf>
    </InstrForCdtrAgt>
<!--Transaction type code as per defined in system dictionary of the codes -->
    <Purp>
        <Prtry>101</Prtry>
    </Purp>
<!--Regulatory reporting -->
    <RgltryRptg>
        <Dtls>
            <Inf>PERIEWRJIWEK</Inf>
        </Dtls>
    </RgltryRptg>
<!--Remittance information -->
    <RmtInf>
        <Ustrd>/ROC/CIPSEGCR103001</Ustrd>
        <Ustrd>/INV/52</Ustrd>
    </RmtInf>
</CdtTrfTxInf>
```



```
</FIToFICstmrCdtTrf>  
</Document>
```

Leg 2

MT103: Credit transfer from Buna to B-BP

```
{1:F01BBPSTNTTXXXX}{2:O103BUNNAEAAAAXXXN}{3:{113:0020}{108:1909290001103001}{121:4e7b08db-68e1-4af3-ac40-cd06623bac8a}}{4:  
:20:ABPSEGCR103001  
:23B:CRED  
:32A:190929AED888,00  
:50F:/3734500000  
1/OPEN SYSTEMS LTD  
2/18 SPORT ZONE SPACE ATRIUM  
3/EG/Cairo  
7/EG/TXID/1234567890123456789012345  
:52A:/FHI/CBAUAEEA  
ABPSEGCA  
:57A:BBPSTNTT120  
:59F:/3854300000  
1/SUPER SYSTEMS LTD  
2/12 Green Trees str.  
3/TN/Tunis/123456  
:70:/ROC/CIPSEGCR103001  
/INV/52  
:71A:OUR  
:72:/ACC/Test  
:77B:PERIEWRJIWEK  
-}
```

MX equivalent

```
<?xml version="1.0" encoding="UTF-8"?>  
<!-- Application header -->
```



```
<AppHdr xmlns="urn:iso:std:iso:20022:tech:xsd:head.001.001.01">
```

```
<!-- Message Sender:-Buna-->
```

```
<Fr>  
  <FIld>  
    <FinInstnId>  
      <BICFI>BUNNAEAA</BICFI>  
    </FinInstnId>  
  </FIld>  
</Fr>
```

```
<!-- Message Receiver : BP-->
```

```
<To>  
  <FIld>  
    <FinInstnId>  
      <BICFI>BBPSTNTT</BICFI>  
    </FinInstnId>  
    <BrnchId>  
      <Id>BBPSTNTT120</Id>  
    </BrnchId>  
  </FIld>  
</To>
```

```
<!-- Message Reference -->
```

```
<BizMsgIdr>190929BUNNAEAAXXX0001103001</BizMsgIdr>
```

```
<!-- Message Type -->
```

```
<MsgDefIdr>pacs.008.001.08</MsgDefIdr>
```

```
<!-- Message Creation Date/Time-->
```

```
<CreDt>2019-09-29T09:02:01Z</CreDt>
```

```
<Rltd>
```

```
<!-- Related Message Sender:-BP-->
```

```
<Fr>  
  <FIld>  
    <FinInstnId>  
      <BICFI>ABPSEGCA</BICFI>  
    </FinInstnId>  
  </FIld>
```



```
</Fr>
<!-- Related Message Receiver : Buna-->
  <To>
    <FIld>
      <FinInstnId>
        <BICFI>BUNNAEAA</BICFI>
      </FinInstnId>
    </FIld>
  </To>
<!-- Related Message Reference -->
  <BizMsgId>ABPSEGCR103001</BizMsgId>
<!-- Related Message Type -->
  <MsgDefId>pacs.008.001.08</MsgDefId>
<!-- Related Message Creation Date/Time-->
  <CreDt>2019-09-29T09:02:00Z</CreDt>
</Rltd>
</AppHdr>
<!-- Document -->
<Document xmlns="urn:iso:std:iso:20022:tech:xsd:pacs.008.001.08">
  <FIToFICstmrCdtTrf>
    <GrpHdr>
      <!--Unique message reference as generated by sending party -->
        <MsgId>ABPSEGCR103001</MsgId>
      <!-- Message creation date-time -->
        <CreDtTm>2019-09-29T09:02:00+04:00</CreDtTm>
      <!-- Fixed value <<false>> for MT103 equivalent -->
        <BtchBookg>false</BtchBookg>
      <!-- Fixed value <<1>> for MT103 equivalent -->
        <NbOfTx>1</NbOfTx>
      <!-- In this message version: Fixed value CLRG -->
        <SttlmInf>
          <SttlmMtd>CLRG</SttlmMtd>
        </SttlmInf>
    </GrpHdr>
```



```
<CdtTrfTxInf>
  <PmtId>
    <!--End-to-End reference. Equivalent of field 70:/ROC/ in MT103 in this message version. NOTPROVIDED if there no such reference -->
    <EndToEndId>CIPSEGCR103001</EndToEndId>
    <!-- Unique transaction reference as generated by sending party. The same as MsgId in this message version -->
    <TxId>ABPSEGCR103001</TxId>
    <!-- UETR-->
    <UETR>4e7b08db-68e1-4af3-ac40-cd06623bac8a</UETR>
  </PmtId>
  <PmtTplInf>
    <!--Fixed value RTGS in this message version -->
    <ClrChanl>RTGS</ClrChanl>
    <!-- Settlement priority -->
    <SvcLvl><Prtry>0020</Prtry></SvcLvl>
    <!--Local instrument code identifying business process of the payment. Fixed value -->
    <LclInstrm>
      <Prtry>SCYN-SCCT-CONV</Prtry>
    </LclInstrm>
  </PmtTplInf>
  <!--Payment amount and currency code -->
  <IntrBkSttlmAmt Ccy="AED">888.</IntrBkSttlmAmt>
  <!--Requested payment settlement date -->
  <IntrBkSttlmDt>2019-09-29</IntrBkSttlmDt>
  <!--Charges bearer indication. -->
  <ChrgBr>DEBT</ChrgBr>
  <!--Instructing agent. BP who is sending the payment and dedited in Buna. BICFI for swift-registered BICs.
  ClrSysMmbld/Mmbld for pseudo-BIC codes (non-swift registered)-->
  <InstgAgt>
    <FinInstnId>
      <BICFI>ABPSEGCA</BICFI>
    <Othr>
      <Id>CBAUAEAA</Id>
      <SchmeNm>
        <Prtry>FHI</Prtry>
      </SchmeNm>
    </Othr>
  </FinInstnId>
</InstgAgt>
</CdtTrfTxInf>
```




```
</Othr>
</FinInstnId>
</InstgAgt>
<!--Instructed agent. BP who is receiving the payment and credited in Buna. BICFI for swift-registered BICs.
ClrSysMmbld/Mmbld for pseudo-BIC codes (non-swift registered)-->
<InstdAgt>
  <FinInstnId>
    <BICFI>BBPSTNTT</BICFI>
  </FinInstnId>
  <BrnchId>
    <Id>BBPSTNTT120</Id>
  </BrnchId>
</InstdAgt>
<!--Debtor client information -->
<Dbtr>
<!--Debtor client name -->
  <Nm>OPEN SYSTEMS LTD</Nm>
<!--Debtor client postal address -->
  <PstlAdr>
    <PstCd>123456</PstCd>
    <TwnNm>Cairo</TwnNm>
    <Ctry>EG</Ctry>
    <AdrLine>18 SPORT ZONE SPACE ATRIUM</AdrLine>
  </PstlAdr>
  <Id>
    <OrgId>
      <Othr>
        <Id>1234567890123456789012345</Id>
        <SchmeNm>
          <Prtry>TXID</Prtry>
        </SchmeNm>
        <Issr>EG</Issr>
      </Othr>
    </OrgId>
  </Id>
```



</Dbtr>

<!--Debtor client account in Field 50 of MT103 -->

<DbtrAcct>

<Id>

<Othr>

<Id>3734500000</Id>

</Othr>

</Id>

</DbtrAcct>

<!--Debtor agent: Participant in Field 52a of MT103-->

<DbtrAgt>

<FinInstnId>

<BICFI>ABPSEGCA</BICFI>

</FinInstnId>

</DbtrAgt>

<!--Creditor agent. Participant in Field 57a of MT103

BICFI for SWIFT-registered participants. ClrSysMmbld/Mmbld for pseudo-BIC codes (non-swift registered) -->

<CdtrAgt>

<FinInstnId>

<BICFI>BBPSTNTT</BICFI>

</FinInstnId>

<BrnchId>

<Id>BBPSTNTT120</Id>

</BrnchId>

</CdtrAgt>

<!--Creditor client information -->

<Cdtr>

<!--Creditor client name -->

<Nm>SUPER SYSTEMS LTD</Nm>

<!--Creditor client postal address -->

<PstlAdr>

<PstCd>123456</PstCd>

<TwnNm>Tunis</TwnNm>

<Ctry>TN</Ctry>



```
        <AdrLine>12 Green Trees str.</AdrLine>
    </PstlAdr>
</Cdtr>
<!--Creditor client account -->
    <CdtrAcct>
        <Id>
            <Othr>
                <Id>3854300000</Id>
            </Othr>
        </Id>
    </CdtrAcct>
<!--Additional information about payment. Equivalent of Field 72 in MT103 -->
    <InstrForCdtrAgt>
        <InstrInf>/ACC/Test</InstrInf>
    </InstrForCdtrAgt>
    <InstrForCdtrAgt>
        <InstrInf>//Continuation</InstrInf>
    </InstrForCdtrAgt>
<!--Transaction type code as per defined in system dictionary of the codes -->
    <Purp>
        <Prtry>101</Prtry>
    </Purp>
<!--Regulatory reporting -->
    <RgltryRptg>
        <Dtls>
            <Inf>PERIEWRJIWEK</Inf>
        </Dtls>
    </RgltryRptg>
<!--Remittance information -->
    <RmtInf>
        <Ustrd>/ROC/CIPSEGCR103001</Ustrd>
        <Ustrd>/INV/52</Ustrd>
    </RmtInf>
</CdtTrfTxInf>
```



```
</FIToFICstmrCdtTrf>
</Document>
```

2.2 MT202 ≡ PACS.009: GENERAL FINANCIAL INSTITUTION TRANSFER

2.2.1 Format of MT202 and mapping to pacs.009

Please refer to [1.11] for the description of the fields of message header which are not described in the table below.

Format of MT202 ≡ pacs.009: General Financial Institution transfer.

SWIFT Status	MT Field	MT Field Name	MT Format	Buna Status	Comment	Example	XPath in head.001 and pacs.009
M	Block 2	Message type	3!n	M	MT: SWIFT message type. MX: MX message type	MT: 202 MX: pacs.009.001.08	AppHdr + MsgDefldr Document AND
M	121 in Block 3	UETR	36!x	M	MX: field is mandatory.	eda44485-9f17-451c-afc0-4456d7b7e6da	Document + FICdtTrf ++ CdtTrfTxInf +++ PmtId ++++ UETR
O	113 in Block 3	Priority	4!n	O	Settlement priority	0020	Document + FICdtTrf ++ CdtTrfTxInf +++ PmtTplnf ++++ SvcLvl +++++ Prtry
M	20	Transaction Reference Number	16x	M	Unique sequence of symbols assigned by sending participant	OTVE20201	Document + FICdtTrf ++ GrpHdr +++ MsgId



SWIFT Status	MT Field	MT Field Name	MT Format	Buna Status	Comment	Example	XPath in head.001 and pacs.009
M	21	Related reference	16x	M	MX: NOTPROVIDED in case NONREF in MT. See comment below the table	MT: NONREF MX: NOTPROVIDED	Document + FICdtTrf ++ CdtTrfTxInf +++ PmtId ++++ EndToEndId
M	32A	Value Date, Currency Code, Amount	6!n	M	Value date	MT: 190929AED222000,50 MX: 2019-09-29	Document + FICdtTrf ++ CdtTrfTxInf +++ IntrBkSttlmDt
			3!a15d	M	Currency and amount	MT: 190929 AED222000.50 MX: Ccy="AED" 222000.50	Document + FICdtTrf ++ CdtTrfTxInf +++ IntrBkSttlmAmt
O	52A	Ordering Institution	4!a2!a2!c[3!c]	MA	BIC of BP to be debited in Buna or Correspondent Bank in Funding/Top-up.	ABPSEGCA	Document + FICdtTrf ++ CdtTrfTxInf +++ Dbtr ++++ FinInstnId +++++ BICFI
	52D		4!a2!a2!c[3!c]	MA	Pseudo-BIC of BP to be debited in Buna or Correspondent Bank in Funding/Tup-up.	AAAAOMRU	Document + FICdtTrf ++ CdtTrfTxInf +++ Dbtr ++++ FinInstnId +++++ ClrSysMmbld +++++++ Mmbld



SWIFT Status	MT Field	MT Field Name	MT Format	Buna Status	Comment	Example	XPath in head.001 and pacs.009
--	--	--	--	O	MX: BIC/pseudo-BIC of an FI which sends the transfer in case the FI is not Buna participant. First 8 symbols of BIC of the FI are the same as those in Buna participant BIC/pseudo-BIC.	ABPSEGCA456	Document + FICdtTrf ++ CdtTrfTxInf +++ Dbtr ++++ Brnchld +++++ Id AND Document + FICdtTrf ++ CdtTrfTxInf +++ InstgAgt ++++ Brnchld +++++ Id
	53B	Sender's Correspondent	4!a2!a2!c[3!c]	MA	BIC of sending FHI to be debited in Buna in Funding/Top-up	CBAUAEAA	Document + FICdtTrf ++ CdtTrfTxInf +++ DbtrAgt ++++ FinInstnld +++++ BICFI
	53D		4!a2!a2!c[3!c]	MA	Pseudo-BIC of sending FHI to be debited in Buna in Funding/Top-up	FHISFHIS	Document + FICdtTrf ++ CdtTrfTxInf +++ DbtrAgt ++++ FinInstnld +++++ ClrSysMmbld ++++++ Mmbld



SWIFT Status	MT Field	MT Field Name	MT Format	Buna Status	Comment	Example	XPath in head.001 and pacs.009
O	57A	Account With Institution	4!a2!a2!c[3!c]	OA	BIC of crediting FHI in withdrawal	FHISFHIS	Document + FICdtTrf ++ CdtTrfTxInf +++ CdtrAgt ++++ FinInstnId +++++ BICFI
	57D		4!a2!a2!c[3!c]	OA	Pseudo-BIC of crediting FHI in withdrawal	FHISFHIS	Document + FICdtTrf ++ CdtTrfTxInf +++ CdtrAgt ++++ FinInstnId +++++ ClrSysMmbld +++++ Mmbld
M	58A	Beneficiary institution	4!a2!a2!c[3!c]	MA	BIC of BP or Correspondent Bank in withdrawal	BBPSTNTT	Document + FICdtTrf ++ CdtTrfTxInf +++ Cdtr ++++ FinInstnId +++++ BICFI
	58D		4!a2!a2!c[3!c]	MA	Pseudo-BIC of BP or Correspondent Bank in withdrawal	BBPNTNTT	Document + FICdtTrf ++ CdtTrfTxInf +++ Cdtr ++++ FinInstnId +++++ ClrSysMmbld +++++ Mmbld



SWIFT Status	MT Field	MT Field Name	MT Format	Buna Status	Comment	Example	XPath in head.001 and pacs.009
--	--	--	--	O	MX: BIC/pseudo-BIC of an FI which receives the transfer in case the FI is not Buna participant. First 8 symbols of BIC of the FI are the same as those in Buna participant BIC/pseudo-BIC.	BBPSTNTT123	Document + FICdtTrf ++ CdtTrfTxInf +++ Cdtr ++++ Brnchld +++++ Id AND Document + FICdtTrf ++ CdtTrfTxInf +++ InstdAgt ++++ Brnchld +++++ Id
-	52a or 53a		/3!a/	O	Party Identifier of Sending BP or FHI (funding and top-up): keyword FHI with slash after keyword in MT message.	MT: /FHI/CBAUAEEA MX: FHI	Document + FICdtTrf ++ CdtTrfTxInf +++ InstgAgt ++++ FinInstnld +++++ Othr ++++++ SchmeNm ++++++ Prtry
			4!a2!a2!c[3!c]		Party Identifier of Sending BP or FHI (funding and top-up): FHI of Buna Participant involved in payment exchange.	MT: /FHI/CBAUAEEA MX: CBAUAEEA	Document + FICdtTrf ++ CdtTrfTxInf +++ InstgAgt ++++ FinInstnld +++++ Othr ++++++ Id



SWIFT Status	MT Field	MT Field Name	MT Format	Buna Status	Comment	Example	XPath in head.001 and pacs.009
--	52A or 53B	--	4!a2!a2!c[3!c]	MA	BIC of Sending BP or FHI (funding and top-up) to be debited in Buna: from either field 52A or 53B. Sender of the message to Buna.	ABPSEGCA	Document + FICdtTrf ++ CdtTrfTxInf +++ InstgAgt ++++ FinInstnId +++++ BICFI
--	52D or 53D	--	4!a2!a2!c[3!c]	MA	Pseudo-BIC of Sending BP or FHI (funding and top-up) to be debited in Buna: from either field 52A or 53B. Sender of the message to Buna	ABPNEGCA	Document + FICdtTrf ++ CdtTrfTxInf +++ InstgAgt ++++ FinInstnId +++++ ClrSysMmbld +++++ Mmbld
--	57A or 58A	--	4!a2!a2!c[3!c]	MA	BIC of receiving BP or FHI (withdrawal and de-funding) to be credited in Buna: from either field 57A or 58A. Receiver of the message from Buna	BBPSTNTT	Document + FICdtTrf ++ CdtTrfTxInf +++ InstdAgt ++++ FinInstnId +++++ BICFI



SWIFT Status	MT Field	MT Field Name	MT Format	Buna Status	Comment	Example	XPath in head.001 and pacs.009
--	57D or 58D	--	4!a2!a2!c[3!c]	MA	Pseudo-BIC of receiving BP or FHI (withdrawal and de-funding) to be credited in Buna: from either field 57D or 58D. Receiver of the message from Buna	BBPNTNTT	Document + FICdtTrf ++ CdtTrfTxInf +++ InstdAgt ++++ FinInstnId +++++ ClrSysMmbld ++++++ Mmbld
O	72	Sender to Receiver Information	/3!c/3!n	M	Transaction type code.	MT: /TTC/101 MX: 101	Document + FICdtTrf ++ CdtTrfTxInf +++ Purp ++++ Prtry
			/4!c/16x	O	Funding and top-up: unique reference of symbols assigned by sending participant	/OREF/ALEX12345	Document + FICdtTrf ++ CdtTrfTxInf +++ InstrForCdtrAgt[Last] ++++ InstrInf
			/3!c/25x	M	Local instrument	MT: /LIN/SCYN-SICT-CONV MX: SCYN-SICT-CONV	Document + FICdtTrf ++ CdtTrfTxInf +++ PmtTplnf ++++ LclInstrm +++++ Prtry



SWIFT Status	MT Field	MT Field Name	MT Format	Buna Status	Comment	Example	XPath in head.001 and pacs.009
			/3!c/30x	O	Additional info for receiving participant.	MT: /ACC/Test MX: /ACC/Test	Document + FICdtTrf ++ CdtTrfTxInf +++ InstrForCdtrAgt[1] ++++ InstrInf
			5*//33x If Transaction type code is present in the first line: 4*//33x	C	Continuation of additional information. See also comment below the table	//Continuation of comment	Document + FICdtTrf ++ CdtTrfTxInf +++ InstrForCdtrAgt[2]...[5] ++++ InstrInf
--	--	--	--	M	Time of message creation	2019-09-29T17:10:28Z	AppHdr + CreDt
--	--	--	--	M	Time of message creation	2019-09-29T17:10:28Z	Document + FICdtTrf ++ GrpHdr +++ CreDtTm
--	--	--	--	M	Fixed value	false	Document + FICdtTrf ++ GrpHdr +++ BtchBookg
--	--	--	--	M	Fixed value	1	Document + FICdtTrf ++ GrpHdr +++ NbOfTxS



SWIFT Status	MT Field	MT Field Name	MT Format	Buna Status	Comment	Example	XPath in head.001 and pacs.009
--	--	--	--	M	Fixed value	CLRG	Document + FICdtTrf ++ GrpHdr +++ StlmInf ++++ StlmMtd
--	--	--	--	M	Fixed value	RTGS	Document + FICdtTrf ++ CdtTrfTxInf +++ PmtTpInf ++++ ClrChanl

Additional comments

Field :20: specifies Transaction Reference Number. This field, in conjunction with Participant’s BIC and Value Date of transfer composes a unique key of transfer (refer to item [1.10]).

Field :21: specifies a reference to related message or code NONREF.

Field :32A: specifies Value Date, Currency Code and Amount.

Fields :52a: specifies:

BIC/Pseudo-BIC of BP which account to be debited in Buna. If BP has more than one Buna settlement accounts in the settlement currency, then FHI must be specified as Party Identifier after /FHI/ keyword in the first line of field 52a.

Fields :53a: specifies BIC/Pseudo-BIC of FHI which account to be debited in Buna.

Fields :58a: specifies:

- In case field 57a is not in the message:
BIC/Pseudo-BIC of BP which settlement account to be credited in Buna. The account is linked to the same FHI as settlement account of debited BP.

Fields :52a:, :53a:, :57a: and :58a: may contain either “A” or “D” letter to substitute the letter “a” after a field number.

- Option “A” is used when an institution specified in the field is represented as BIC registered in SWIFT;
- Option “D” is used otherwise.

Field :72: specifies Sender to Receiver information.

The following codes can be used in this field:

1. /TTC/ code is used to define Transaction Type Code.
2. /LIN/ code is used to define local instrument.
3. /ACC/<information> for additional information from Sender to Receiver.



For continuation of additional information, use double slashes at the beginning of the next lines.

Message from participant: Field 72 must not specify more than 5 lines in total. Message to participant: Field 72 may have 6 lines in total.

MX message:

- tags related to Instructing Agent and Instructed Agent can be specified either in <GrpHdr> tag or in <CdtTrfTxInf> tag of pacs.009.
- Local instrument for:
 - Interbank Credit Transfer: SCYN-SICT-CONV — Single-Currency Normal Single Interbank Credit Transfer CONventional;
 - Start-of-day Funding: SCYN-SICT-FUND —Single-Currency Normal Single Interbank Credit Transfer FUNDing;
 - Mid-day Top-up: SCYN-SICT-TPUP —Single-Currency Normal Single Interbank Credit Transfer ToP UP;
 - Mid-day Withdrawal: SCYN-SICT-WITH — Single-Currency Normal Single Interbank Credit Transfer WITHdrawal;
 - End-of-day defunding: SCYN-SIDT-DFND — Single-Currency Normal Single Interbank Debit Transfer DeFuNDing.



2.2.2 Interbank payments: Usage cases and examples

The following combinations of sending and receiving parties are allowed:

Buna Participant A is debited in Buna; Buna Participant B is credited in Buna.

Case 1

Payment from Buna Participant A to Buna Participant B.

Table 5. Interbank Credit Transfer: SCYN-SICT-CONV.

Leg 1		Sending message		Receiving message		Leg 2
MT202 field	Content	pac.009 tag	pac.009 tag	Content	MT202 field	
52a	Buna Participant A	Debtor	Debtor	Buna Participant A	52a	
--	Buna Participant A	Instructing Agent	Instructing Agent	Buna Participant A	--	
Sender	Buna Participant A	From	From	Buna	Sender	
Receiver	Buna	To	To	Buna Participant B	Receiver	
--	Buna Participant B	Instructed Agent	Instructed Agent	Buna Participant B	--	
58a	Buna Participant B	Creditor	Creditor	Buna Participant B	58a	

Example of Case 1

Leg 1

MT202: Credit transfer from A-BP to Buna

```
{1:F01ABPSEGCAA021}{2:I202BUNNAEAXXXN}{3:{113:0020}{108:ABPSEGCA202003}{111:001}{121:eda44485-9f17-451c-afc0-4456d7b7e6da}}{4:
:20:BBPSTNTT202003
:21:NONREF
:32A:190929AED222000,50
:52A:ABPSEGCA021
:58A:DIPSTNTT
:72:/TTC/101
/LIN/SCYN-SICT-CONV
/ACC/Test
//Continuation
-}
```

MX equivalent

```
<?xml version="1.0" encoding="UTF-8"?>
<!-- Application header -->
<AppHdr xmlns="urn:iso:std:iso:20022:tech:xsd:head.001.001.01">
<!-- Message Sender -->
  <Fr>
    <FIld>
      <FinInstnId>
        <BICFI>ABPSEGCA</BICFI>
      </FinInstnId>
      <BrnchId>
        <Id>ABPSEGCA021</Id>
      </BrnchId>
    </FIld>
  </Fr>
<!-- Message Receiver -->
  <To>
    <FIld>
      <FinInstnId>
```

```
<BICFI>BUNNAEAA</BICFI>
  </FinInstnId>
</FIld>
</To>
<!-- Message Reference -->
  <BizMsgldr>ABPSEGCA202003</BizMsgldr>
<!-- Message Type -->
  <MsgDefldr>pacs.009.001.08</MsgDefldr>
<!-- Message Creation Date/Time-->
  <CreDt>2019-09-29T10:01:20Z</CreDt>
</AppHdr>

<!-- Document -->
<Document xmlns="urn:iso:std:iso:20022:tech:xsd:pacs.009.001.08">
  <FICdtTrf>
    <GrpHdr>
      <!-- Unique message refereAce as generated by sending party.-->
        <Msgld>ABPSEGCA202003</Msgld>
      <!--Document creation date-time -->
        <CreDtTm>2019-09-29T10:01:20+04:00</CreDtTm>
      <!-- Fixed value <<false>> for MT202 equivalent -->
        <BtchBookg>false</BtchBookg>
      <!--Number of payment instructions. Fixed value = 1 -->
        <NbOfTxs>1</NbOfTxs>
      <!--Fixed value CLRG -->
        <SttlmInf>
          <SttlmMtd>CLRG</SttlmMtd>
        </SttlmInf>
    </GrpHdr>
    <CdtTrfTxInf>
      <Pmtld>
        <!--End-to-End reference. Not verified for uniqueness. Equivalent of field :21: NOTPROVIDED in case NONREF-->
          <EndToEndId>NOTPROVIDED</EndToEndId>
        <!-- Unique transaction reference as generated by sending party. The same as Msgld in this message version -->
          <Txld>ABPSEGCA202003</Txld>
      </Pmtld>
    </CdtTrfTxInf>
  </FICdtTrf>
</Document>

<!--UETR -->
  <UETR>eda44485-9f17-451c-afc0-4456d7b7e6da</UETR>
```



```

        </PmtId>
        <PmtTplnf>
<!--Fixed value RTGS for Buna payments -->
        <ClrChanl>RTGS</ClrChanl>
<!-- Settlement priority -->
        <SvcLvl><Prtry>0020</Prtry></SvcLvl>
<!--Local instrument code identifying business process of the payment. Fixed value -->
        <LclInstrm>
            <Prtry>SCYN-SICT-CONV</Prtry>
        </LclInstrm>
    </PmtTplnf>
<!--Payment amount and currency code -->
    <IntrBkSttlmAmt Ccy="AED">222000.50</IntrBkSttlmAmt>
<!--Requested payment settlement date -->
    <IntrBkSttlmDt>2019-09-29</IntrBkSttlmDt>
<!--Instructing agent. Participant whose sending payment to the system and debited in Buna. BICFI for swift-registered BICs. ClrSysMmbld/Mmbld for pseudo-BIC codes (non-swift registered)-->
    <InstgAgt>
        <FinInstnId>
            <BICFI>ABPSEGCA</BICFI>
        </FinInstnId>
        <BrnchId>
            <Id>ABPSEGCA021</Id>
        </BrnchId>
    </InstgAgt>
<!--Instructed agent. Participant whose receiving payment and credited in Buna. BICFI for swift-registered BICs. ClrSysMmbld/Mmbld for pseudo-BIC codes (non-swift registered)-->
    <InstdAgt>
        <FinInstnId>
            <BICFI>BUNNAEAA</BICFI>
        </FinInstnId>
    </InstdAgt>
<!--Debtor. Participant in Field 52a of MT202. BICFI for SWIFT-registered participants. ClrSysMmbld/Mmbld for pseudo-BIC codes (non-swift registered)-->
    <Dbtr>
        <FinInstnId>
            <BICFI>ABPSEGCA</BICFI>
    </Dbtr>

```

```

        </FinInstnId>
        <BrnchId>
            <Id>ABPSEGCA021</Id>
        </BrnchId>
    </Dbtr>
<!-- Creditor. Participant in Field 58a of MT202. BICFI for SWIFT-registered participants. ClrSysMmbld/Mmbld for pseudo-BIC codes (non-swift
registered). -->
    <Cdtr>
        <FinInstnId>
            <BICFI>DIPSTNTT</BICFI>
        </FinInstnId>
    </Cdtr>
<!--Additional information about payment -->
    <InstrForCdtrAgt>
        <InstrInf>/ACC/Test</InstrInf>
    </InstrForCdtrAgt>
    <InstrForCdtrAgt>
        <InstrInf>//Continuation</InstrInf>
    </InstrForCdtrAgt>
<!--Transaction type code as per defined in system dictionary of TTCs. -->
    <Purp>
        <Prtry>101</Prtry>
    </Purp>
</CdtTrfTxInf>
</FICdtTrf>
</Document>

```

Leg 2

MT202: Credit transfer from the Buna to B-DP

```

{1:F01BDPSTNTTXXXX}{2:O202BUNNAEAAAXXN}{3:{113:0020}{108:1909290001012345}{121:eda44485-9f17-451c-afc0-4456d7b7e6da}}{4:
:20:BDPSTNTT202003
:21:NONREF
:32A:190929AED222000,50
:52A:/523014000990
CIPSEGCA

```

```
:53B:ADPSEGCA  
:57A:BDPSTNTT  
:58A:/520008000990  
DIPSTNTT  
:72:/TTC/101  
/LIN/SCYN-SICT-CONV  
/ACC/Test  
//Continuation  
-}
```

MX equivalent

```
<?xml version="1.0" encoding="UTF-8"?>  
<!-- Application header -->  
<AppHdr xmlns="urn:iso:std:iso:20022:tech:xsd:head.001.001.01">  
<!-- Message Sender -->  
  <Fr>  
    <FIld>  
      <FinInstnId>  
        <BICFI>BUNNAEAA</BICFI>  
      </FinInstnId>  
    </FIld>  
  </Fr>  
<!-- Message Receiver -->  
  <To>  
    <FIld>  
      <FinInstnId>  
        <BICFI>BDPSTNTT</BICFI>  
      </FinInstnId>  
    </FIld>  
  </To>  
<!-- Message Reference -->  
  <BizMsgIdr>190929BUNNAEAAXXX0001012345</BizMsgIdr>  
<!-- Message Type -->  
  <MsgDefldr>pacs.009.001.08</MsgDefldr>  
<!-- Message Creation Date/Time-->  
  <CreDt>2019-09-29T10:01:21Z</CreDt>
```

```
<Rltd>
<!-- Related Message Sender -->
  <Fr>
    <FIld>
      <FinInstnId>
        <BICFI>ADPSEGCA</BICFI>
      </FinInstnId>
      <BrnchId>
        <Id>ABPSEGCA021</Id>
      </BrnchId>
    </FIld>
  </Fr>
<!-- Related Message Receiver -->
  <To>
    <FIld>
      <FinInstnId>
        <BICFI>BUNNAEAA</BICFI>
      </FinInstnId>
    </FIld>
  </To>
<!-- Related- Message Reference -->
  <BizMsgId>ADPSEGCA202003</BizMsgId>
<!-- Related - Message Type -->
  <MsgDefId>pacs.009.001.08</MsgDefId>
<!-- Related - Message Creation Date/Time-->
  <CreDt>2019-09-29T10:01:20Z</CreDt>
</Rltd>
</AppHdr>

<!-- Document -->
<Document xmlns="urn:iso:std:iso:20022:tech:xsd:pacs.009.001.08">
  <FICdtTrf>
    <GrpHdr>
<!--Unique message refereAce as generated by sending party.-->
      <MsgId>ADPSEGCA202003</MsgId>
<!--Document creation date-time -->
```



```
<CreDtTm>2019-09-29T10:01:20+04:00</CreDtTm>
<!-- Fixed value <<false>> for MT202 equivalent -->
<BtchBookg>false</BtchBookg>
<!--Number of payment instructions. Fixed value = 1 -->
<NbOfTxs>1</NbOfTxs>
<!--Fixed value CLRG -->
<SttlmInf>
  <SttlmMtd>CLRG</SttlmMtd>
</SttlmInf>
</GrpHdr>
<CdtTrfTxInf>
  <PmtId>
<!--End-to-End reference. Not verified for uniqueness. Equivalent of field :21: NOTPROVIDED in case NONREF-->
  <EndToEndId>NOTPROVIDED</EndToEndId>
<!-- Unique transaction reference as generated by sending party. The same as MsgId in this message version -->
  <TxId>ADPSEGCA202003</TxId>
<!--UETR -->
  <UETR>eda44485-9f17-451c-afc0-4456d7b7e6da</UETR>
  </PmtId>
  <PmtTpInf>
<!--Fixed value RTGS for Buna payments -->
  <ClrChanl>RTGS</ClrChanl>
<!-- Settlement priority -->
  <SvcLvl><Prtry>0020</Prtry></SvcLvl>
<!--Local instrument code identifying business process of the payment. Fixed value -->
  <LclInstrm>
    <Prtry>SCYN-SICT-CONV</Prtry>
  </LclInstrm>
</PmtTpInf>
<!--Payment amount and currency code -->
  <IntrBkSttlmAmt Ccy="AED">222000.50</IntrBkSttlmAmt>
<!--Requested payment settlement date -->
  <IntrBkSttlmDt>2019-09-29</IntrBkSttlmDt>
<!--Instructing agent. Participant whose sending payment to the system and debited in Buna. BICFI for swift-registered BICs. ClrSysMmbld/Mmbld for pseudo-BIC codes (non-swift registered)-->
  <InstgAgt>
    <FinInstnId>
```

```
        <BICFI>ADPSEGCA</BICFI>
    </FinInstnId>
    <BrnchId>
        <Id>ABPSEGCA021</Id>
    </BrnchId>
</InstgAgt>
```

<!--Instructed agent. Participant whose receiving payment and credited in Buna. BICFI for swift-registered BICs. ClrSysMmbld/Mmbld for pseudo-BIC codes (non-swift registered)-->

```
    <InstdAgt>
        <FinInstnId>
            <BICFI>BDPSTNTT</BICFI>
        </FinInstnId>
    </InstdAgt>
```

<!--Debtor. Participant in Field 52a of MT202. BICFI for SWIFT-registered participants. ClrSysMmbld/Mmbld for pseudo-BIC codes (non-swift registered)-->

```
    <Dbtr>
        <FinInstnId>
            <BICFI>CIPSEGCA</BICFI>
        </FinInstnId>
        <BrnchId>
            <Id>ABPSEGCA021</Id>
        </BrnchId>
    </Dbtr>
```

<!--Debtor account. -->

```
    <DbtrAcct>
        <Id>
            <Othr>
                <Id>523014000990</Id>
            </Othr>
        </Id>
    </DbtrAcct>
```

<!-- Debtor Agent. Participant in Field 53a in current version of MT202. BICFI for SWIFT-registered participants. ClrSysMmbld/Mmbld for pseudo-BIC codes (non-swift registered)-->

```
    <DbtrAgt>
        <FinInstnId>
            <BICFI>ADPSEGCA</BICFI>
        </FinInstnId>
```

```
</DbtrAgt>
<!-- Creditor agent. Participant in Field 57a of MT202
BICFI for SWIFT-registered participants. ClrSysMmbld/Mmbld for pseudo-BIC codes (non-swift registered) -->
  <CdtrAgt>
    <FinInstnId>
      <BICFI>BDPSTNTT</BICFI>
    </FinInstnId>
  </CdtrAgt>
<!-- Creditor. Participant in Field 58a of MT202. BICFI for SWIFT-registered participants. ClrSysMmbld/Mmbld for pseudo-BIC codes (non-swift
registered). -->
  <Cdtr>
    <FinInstnId>
      <BICFI>DIPSTNTT</BICFI>
    </FinInstnId>
  </Cdtr>
<!--Creditor account: In this example: account of IP if required. The account is not process by Buna -->
  <CdtrAcct>
    <Id>
      <Othr>
        <Id>520008000990</Id>
      </Othr>
    </Id>
  </CdtrAcct>
<!--Additional information about payment -->
  <InstrForCdtrAgt>
    <InstrInf>/ACC/Test</InstrInf>
  </InstrForCdtrAgt>
  <InstrForCdtrAgt>
    <InstrInf>//Continuation</InstrInf>
  </InstrForCdtrAgt>
<!--Transaction type code as per defined in system dictionary of TTCs. -->
  <Purp>
    <Prtry>101</Prtry>
  </Purp>
</CdtTrfTxInf>
</FICdtTrf>
</Document>
```

2.2.3 Start-of-day funding and Mid-day Top-up: Usage cases and examples

Buna Technical account linked to FHI is debited in Buna, Buna Participant A is credited in Buna.

The following combinations of sending and receiving parties are allowed:

Case 1

Correspondent Bank U funds/tops-up settlement account of Buna Participant A at Buna.

Table 6. Funding/Top-up transfer: SCYN-SICT-FUND or SCYN-SICT-TPUP.

Leg 1 Sending message to Buna			Receiving message from Buna Leg 2		
MT202 field	Content	pac.009 tag	pac.009 tag	Content	MT202 field
52a	Correspondent Bank U	Debtor	Debtor	Correspondent Bank U	52a
53a	FHI	Instructing Agent Debtor Agent	Instructing Agent Debtor Agent	FHI	53a
Sender	FHI	From	From	Buna	Sender
Receiver	Buna	To	To	Buna Participant A	Receiver
--	Buna Participant A	Instructed Agent	Instructed Agent	Buna Participant A	--
58a	Buna Participant A	Creditor	Creditor	Buna Participant A	58a

Case 2

Buna Participant A has account at FHI. Buna Participant A funds/tops-up its settlement account at Buna.

Table 7. Funding/Top-up transfer: SCYN-SICT-FUND or SCYN-SICT-TPUP.

Leg 1 Sending message to Buna			Receiving message from Buna Leg 2		
-------------------------------------	--	--	---	--	--



MT202 field	Content	pac.009 tag	pac.009 tag	Content	MT202 field
52a	Buna Participant A	Debtor	Debtor	Buna Participant A	52a
53a	FHI	Instructing Agent Debtor Agent	Instructing Agent Debtor Agent	FHI	53a
Sender	FHI	From	From	Buna	Sender
Receiver	Buna	To	To	Buna Participant A	Receiver
--	Buna Participant A	Instructed Agent	Instructed Agent	Buna Participant A	--
58a	Buna Participant A	Creditor	Creditor	Buna Participant A	58a

Example of Case 1

Leg 1

pac.009: Funding transfer from FHI Portal to Buna

```

<?xml version="1.0" encoding="UTF-8"?>
<!-- Application header -->
<AppHdr xmlns="urn:iso:std:iso:20022:tech:xsd:head.001.001.01">
<!-- Message Sender -->
  <Fr>
    <FIId>
      <FinInstnId>
        <BICFI>CBAUAEAA</BICFI>
      </FinInstnId>
    </FIId>
  </Fr>
<!-- Message Receiver -->
  <To>
    <FIId>
      <FinInstnId>
        <BICFI>BUNNAEAA</BICFI>
      </FinInstnId>
    </FIId>
  </To>

```

```

</To>
<!-- Message Reference -->
<BizMsgldr>FHI202003</BizMsgldr>
<!-- Message Type -->
<MsgDefldr>pacs.009.001.08</MsgDefldr>
<!-- Message Creation Date/Time-->
<CreDt>2019-09-29T10:01:20Z</CreDt>
</AppHdr>

<!-- Document -->
<Document xmlns="urn:iso:std:iso:20022:tech:xsd:pacs.009.001.08">
  <FICdtTrf>
    <GrpHdr>
      <!--Unique message reference as generated by sending party-->
        <Msgld>FHI202003</Msgld>
      <!--Document creation date-time -->
        <CreDtTm>2019-09-29T10:01:20+04:00</CreDtTm>
      <!-- Fixed value <<false>> for MT202 equivalent -->
        <BtchBookg>false</BtchBookg>
      <!--Number of payment instructions. Fixed value = 1 -->
        <NbOfTxs>1</NbOfTxs>
      <!--Fixed value CLRG -->
        <SttlmInf>
          <SttlmMtd>CLRG</SttlmMtd>
        </SttlmInf>
      </GrpHdr>
      <CdtTrfTxInf>
        <Pmtld>
          <!--End-to-End reference. Not verified for uniqueness. Equivalent of field :21: NOTPROVIDED in case NONREF-->
            <EndToEndId>NOTPROVIDED</EndToEndId>
          <!-- Unique transaction reference as generated by sending party. The same as Msgld in this message version -->
            <Txld>FHI202003</Txld>
          <!--UETR -->
            <UETR>eda44485-9f17-451c-afc0-4456d7b7e6da</UETR>
          </Pmtld>
          <PmtPlnf>
            <!--Fixed value RTGS for Buna payments -->

```

```

        <ClrChan>RTGS</ClrChan>
<!-- Settlement priority -->
        <SvcLvl><Prtry>0020</Prtry></SvcLvl>
<!--Local instrument code identifying business process of the payment. Fixed value -->
        <LclInstrm>
            <Prtry>SCYN-SICT-FUND</Prtry>
        </LclInstrm>
    </PmtTplnf>
<!--Payment amount and currency code -->
        <IntrBkSttlmAmt Ccy="AED">222000.50</IntrBkSttlmAmt>
<!--Requested payment settlement date -->
        <IntrBkSttlmDt>2019-09-29</IntrBkSttlmDt>
<!--Instructing agent. BICFI for swift-registered BICs. ClrSysMmbld/Mmbld for pseudo-BIC codes (non-swift registered)-->
        <InstgAgt>
            <FinInstnId>
                <BICFI>CBAUAEEA</BICFI>
            </FinInstnId>
        </InstgAgt>
<!--Instructed agent. BICFI for swift-registered BICs. ClrSysMmbld/Mmbld for pseudo-BIC codes (non-swift registered)-->
        <InstdAgt>
            <FinInstnId>
                <BICFI>ABPSEGCA</BICFI>
            </FinInstnId>
        </InstdAgt>
<!--Debtor. Participant in Field 52a of MT202. BICFI for SWIFT-registered participants. ClrSysMmbld/Mmbld for pseudo-BIC codes (non-swift registered)-->
        <Dbtr>
            <FinInstnId>
                <BICFI>UCSBAEAD</BICFI>
            </FinInstnId>
        </Dbtr>
<!-- Debtor Agent. BICFI for SWIFT-registered participants. ClrSysMmbld/Mmbld for pseudo-BIC codes (non-swift registered)-->
        <DbtrAgt>
            <FinInstnId>
                <BICFI>CBAUAEEA</BICFI>
            </FinInstnId>
        </DbtrAgt>
    
```

<!-- Creditor. Participant in Field 58a of MT202. BICFI for SWIFT-registered participants. ClrSysMmbld/Mmbld for pseudo-BIC codes (non-swift registered). -->

```
<Cdtr>
  <FinInstnId>
    <BICFI>ABPSEGCA</BICFI>
  </FinInstnId>
</Cdtr>
```

<!--Additional information about payment -->

```
<InstrForCdtrAgt>
  <InstrInf>/ACC/Test</InstrInf>
</InstrForCdtrAgt>
<InstrForCdtrAgt>
  <InstrInf>//Continuation</InstrInf>
</InstrForCdtrAgt>
<InstrForCdtrAgt>
  <InstrInf>/OREF/DF23324234</InstrInf>
</InstrForCdtrAgt>
```

<!--Transaction type code as per defined in system dictionary of TTCs. -->

```
<Purp>
  <Prtry>091</Prtry>
</Purp>
</CdtTrfTxInf>
</FICdtTrf>
</Document>
```

Leg 2

MT202: Funding transfer from the Buna to A-BP

```
{1:F01ABPSEGCAXXX}{2:O202BUNNAEAXXXXN}{3:{113:0020}{108:1909290001000948}{121:eda44485-9f17-451c-afc0-4456d7b7e6da}}{4:
:20:FHI202003
:21:NONREF
:32A:190929AED222000,50
:52A:UCSBAEAD
:53B:CBAUAEEA
:58A:ABPSEGCA
:72:/TTC/091/OREF/DF23324234
```

```
/LIN/SCYN-SICT-FUND  
/ACC/Test  
//Continuation  
-}
```

MX equivalent

```
<?xml version="1.0" encoding="UTF-8"?>  

```

```
<FinInstnId>
  <BICFI>CBAUAEEA</BICFI>
</FinInstnId>
</Fld>
</Fr>
<!-- Related Message Receiver -->
<To>
  <Fld>
    <FinInstnId>
      <BICFI>BUNNAEEA</BICFI>
    </FinInstnId>
  </Fld>
</To>
<!-- Related Message Reference -->
<BizMsgIdr>FHI202003</BizMsgIdr>
<!-- Related Message Type -->
<MsgDefldr>pacs.009.001.08</MsgDefldr>
<!-- Related Message Creation Date/Time-->
<CreDt>2019-09-29T10:01:20Z</CreDt>
</Rltd>
</AppHdr>
<!-- Document -->
<Document xmlns="urn:iso:std:iso:20022:tech:xsd:pacs.009.001.08">
  <FICdtTrf>
    <GrpHdr>
      <!-- Unique message reference as generated by sending party.-->
      <MsgId>FHI202003</MsgId>
      <!-- Document creation date-time -->
      <CreDtTm>2019-09-29T10:01:20+04:00</CreDtTm>
      <!-- Fixed value <<false>> for MT202 equivalent -->
      <BtchBookg>false</BtchBookg>
      <!-- Number of payment instructions. Fixed value = 1 -->
      <NbOfTxes>1</NbOfTxes>
      <!-- Fixed value CLRG -->
      <SttlmInf>
        <SttlmMtd>CLRG</SttlmMtd>
```

```
</SttlmInf>
</GrpHdr>
<CdtTrfTxInf>
  <PmtId>
```

```
<!--End-to-End reference. Not verified for uniqueness. Equivalent of field :21: NOTPROVIDED in case NONREF-->
```

```
  <EndToEndId>NOTPROVIDED</EndToEndId>
```

```
<!-- Unique transaction reference as generated by sending party. The same as MsgId in this message version -->
```

```
  <TxId>FHI202003</TxId>
```

```
<!--UETR -->
```

```
  <UETR>eda44485-9f17-451c-afc0-4456d7b7e6da</UETR>
```

```
  </PmtId>
```

```
  <PmtTpInf>
```

```
<!--Fixed value RTGS for Buna payments -->
```

```
  <ClrChanl>RTGS</ClrChanl>
```

```
<!-- Settlement priority -->
```

```
  <SvcLvl><Prtry>0020</Prtry></SvcLvl>
```

```
<!--Local instrument code identifying business process of the payment. Fixed value -->
```

```
  <LclInstrm>
```

```
    <Prtry>SCYN-SICT-FUND</Prtry>
```

```
  </LclInstrm>
```

```
  </PmtTpInf>
```

```
<!--Payment amount and currency code -->
```

```
  <IntrBkSttlmAmt Ccy="AED">222000.50</IntrBkSttlmAmt>
```

```
<!--Requested payment settlement date -->
```

```
  <IntrBkSttlmDt>2019-09-29</IntrBkSttlmDt>
```

```
<!--Instructing agent. BICFI for swift-registered BICs. ClrSysMmbld/Mmbld for pseudo-BIC codes (non-swift registered)-->
```

```
  <InstgAgt>
```

```
    <FinInstnId>
```

```
      <BICFI>CBAUAEEA</BICFI>
```

```
    </FinInstnId>
```

```
  </InstgAgt>
```

```
<!--Instructed agent. BICFI for swift-registered BICs. ClrSysMmbld/Mmbld for pseudo-BIC codes (non-swift registered)-->
```

```
  <InstdAgt>
```

```
    <FinInstnId>
```

```
      <BICFI>ABPSEGCA</BICFI>
```

```
    </FinInstnId>
```

```
  </InstdAgt>
```

<!-- Debtor. Participant in Field 52a of MT202. BICFI for SWIFT-registered participants. ClrSysMmbld/Mmbld for pseudo-BIC codes (non-swift registered)-->

```
<Dbtr>
  <FinInstnId>
    <BICFI>UCSBAEAD</BICFI>
  </FinInstnId>
</Dbtr>
```

<!-- Debtor Agent. Participant in Field 53a in current version of MT202. BICFI for SWIFT-registered participants. ClrSysMmbld/Mmbld for pseudo-BIC codes (non-swift registered)-->

```
<DbtrAgt>
  <FinInstnId>
    <BICFI>CBAUAEAA</BICFI>
  </FinInstnId>
</DbtrAgt>
```

<!-- Creditor. Participant in Field 58a of MT202. BICFI for SWIFT-registered participants. ClrSysMmbld/Mmbld for pseudo-BIC codes (non-swift registered). -->

```
<Cdtr>
  <FinInstnId>
    <BICFI>ABPSEGCA</BICFI>
  </FinInstnId>
</Cdtr>
```

<!--Additional information about payment -->

```
<InstrForCdtrAgt>
  <InstrInf>/ACC/Test</InstrInf>
</InstrForCdtrAgt>
<InstrForCdtrAgt>
  <InstrInf>//Continuation</InstrInf>
</InstrForCdtrAgt>
<InstrForCdtrAgt>
  <InstrInf>/OREF/DF23324234</InstrInf>
</InstrForCdtrAgt>
```

<!--Transaction type code as per defined in system dictionary of TTCs. -->

```
<Purp>
  <Prtry>091</Prtry>
</Purp>
</CdtTrfTxInf>
</FICdtTrf>
```


</Document>

Example of Case 2

Leg 1

pac.009: Funding transfer from FHI Portal to Buna

```
<?xml version="1.0" encoding="UTF-8"?>
<!-- Application header -->
<AppHdr xmlns="urn:iso:std:iso:20022:tech:xsd:head.001.001.01">
<!-- Message Sender -->
  <Fr>
    <FIld>
      <FinInstnId>
        <BICFI>CBAUAEEA</BICFI>
      </FinInstnId>
    </FIld>
  </Fr>
<!-- Message Receiver -->
  <To>
    <FIld>
      <FinInstnId>
        <BICFI>BUNNAEEA</BICFI>
      </FinInstnId>
    </FIld>
  </To>
<!-- Message Reference -->
  <BizMsgIdr>FHI202003</BizMsgIdr>
<!-- Message Type -->
  <MsgDefIdr>pac.009.001.08</MsgDefIdr>
<!-- Message Creation Date/Time-->
  <CreDt>2019-09-29T10:01:20Z</CreDt>
</AppHdr>
<!-- Document -->
<Document xmlns="urn:iso:std:iso:20022:tech:xsd:pac.009.001.08">
```

```

<FICdtTrf>
  <GrpHdr>
<!--Unique message reference as generated by sending party.-->
    <MsgId>FHI202003</MsgId>
<!--Document creation date-time -->
    <CreDtTm>2019-09-29T10:01:20+04:00</CreDtTm>
<!-- Fixed value <<false>> for MT202 equivalent -->
    <BtchBookg>false</BtchBookg>
<!--Number of payment instructions. Fixed value = 1 -->
    <NbOfTxs>1</NbOfTxs>
<!--Fixed value CLRG -->
    <SttlmInf>
      <SttlmMtd>CLRG</SttlmMtd>
    </SttlmInf>
  </GrpHdr>
  <CdtTrfTxInf>
    <PmtId>
<!--End-to-End reference. Not verified for uniqueness. Equivalent of field :21: NOTPROVIDED in case NONREF-->
      <EndToEndId>NOTPROVIDED</EndToEndId>
<!-- Unique transaction reference as generated by sending party. The same as MsgId in this message version -->
      <TxId>FHI202003</TxId>
<!--UETR -->
      <UETR>eda44485-9f17-451c-afc0-4456d7b7e6da</UETR>
    </PmtId>
    <PmtTpInf>
<!--Fixed value RTGS for Buna payments -->
      <ClrChanl>RTGS</ClrChanl>
<!-- Settlement priority -->
      <SvcLvl><Prtry>0020</Prtry></SvcLvl>
<!--Local instrument code identifying business process of the payment. Fixed value -->
      <LclInstrm>
        <Prtry>SCYN-SICT-FUND</Prtry>
      </LclInstrm>
    </PmtTpInf>
<!--Payment amount and currency code -->
    <IntrBkSttlmAmt Ccy="AED">222000.50</IntrBkSttlmAmt>
<!--Requested payment settlement date -->

```

```
<IntrBkSttlmDt>2019-09-29</IntrBkSttlmDt>
```

```
<!--Instructing agent. BICFI for swift-registered BICs. ClrSysMmbld/Mmbld for pseudo-BIC codes (non-swift registered)-->
```

```
<InstgAgt>  
  <FinInstnId>  
    <BICFI>CBAUAEEA</BICFI>  
  </FinInstnId>  
</InstgAgt>
```

```
<!--Instructed agent. BICFI for swift-registered BICs. ClrSysMmbld/Mmbld for pseudo-BIC codes (non-swift registered)-->
```

```
<InstdAgt>  
  <FinInstnId>  
    <BICFI>ABPSEGCA</BICFI>  
  </FinInstnId>  
</InstdAgt>
```

```
<!--Debtor. Participant in Field 52a of MT202. BICFI for SWIFT-registered participants. ClrSysMmbld/Mmbld for pseudo-BIC codes (non-swift registered)-->
```

```
<Dbtr>  
  <FinInstnId>  
    <BICFI>ABPSEGCA</BICFI>  
  </FinInstnId>  
</Dbtr>
```

```
<!-- Debtor Agent. BICFI for SWIFT-registered participants. ClrSysMmbld/Mmbld for pseudo-BIC codes (non-swift registered)-->
```

```
<DbtrAgt>  
  <FinInstnId>  
    <BICFI>CBAUAEEA</BICFI>  
  </FinInstnId>  
</DbtrAgt>
```

```
<!-- Creditor. Participant in Field 58a of MT202. BICFI for SWIFT-registered participants. ClrSysMmbld/Mmbld for pseudo-BIC codes (non-swift registered). -->
```

```
<Cdtr>  
  <FinInstnId>  
    <BICFI>ABPSEGCA</BICFI>  
  </FinInstnId>  
</Cdtr>
```

```
<!--Additional information about payment -->
```

```
<InstrForCdtrAgt>  
  <InstrInf>/ACC/Test</InstrInf>  
</InstrForCdtrAgt>
```

```
<InstrForCdtrAgt>  
  <InstrInf>//Continuation</InstrInf>  
</InstrForCdtrAgt>  
<InstrForCdtrAgt>  
  <InstrInf>/OREF/DF23324234</InstrInf>  
</InstrForCdtrAgt>
```

```
<!--Transaction type code as per defined in system dictionary of TTCs. -->
```

```
<Purp>  
  <Prtry>091</Prtry>  
</Purp>  
</CdtTrfTxInf>  
</FICdtTrf>  
</Document>
```

Leg 2

MT202: Funding transfer from the Buna to A-BP

```
{1:F01ABPSEGCAXXX}{2:O202BUNNAEAXXXXN}{3:{113:0020}{108:1909290001000948}{121:eda44485-9f17-451c-afc0-4456d7b7e6da}}{4:
:20:FHI202003
:21:NONREF
:32A:190929AED222000,50
:52A:ABPSEGCA
:53B:CBAUAEAA
:58A:ABPSEGCA
:72:/TTC/091/OREF/DF23324234
/LIN/SCYN-SICT-FUND
/ACC/Test
//Continuation
-}
```

MX equivalent

```
<?xml version="1.0" encoding="UTF-8"?>
<!-- Application header -->
<AppHdr xmlns="urn:iso:std:iso:20022:tech:xsd:head.001.001.01">
<!-- Message Sender -->
  <Fr>
    <FIld>
      <FinInstnId>
        <BICFI>BUNNAEAA</BICFI>
      </FinInstnId>
    </FIld>
  </Fr>
<!-- Message Receiver -->
  <To>
    <FIld>
      <FinInstnId>
        <BICFI>ABPSEGCA</BICFI>
      </FinInstnId>
    </FIld>
  </To>
</AppHdr>
</-->
```

```
</To>
<!-- Message Reference -->
<BizMsgIdr>190929BUNNAEAAXXX0001000948</BizMsgIdr>
<!-- Message Type -->
<MsgDefldr>pacs.009.001.08</MsgDefldr>
<!-- Message Creation Date/Time-->
<CreDt>2019-09-29T10:01:21Z</CreDt>

<Rltd>
<!-- Related Message Sender -->
  <Fr>
    <FIld>
      <FinInstnId>
        <BICFI>CBAUAEEA</BICFI>
      </FinInstnId>
    </FIld>
  </Fr>
<!-- Related Message Receiver -->
  <To>
    <FIld>
      <FinInstnId>
        <BICFI>BUNNAEAA</BICFI>
      </FinInstnId>
    </FIld>
  </To>
<!-- Related Message Reference -->
<BizMsgIdr>FHI202003</BizMsgIdr>
<!-- Related Message Type -->
<MsgDefldr>pacs.009.001.08</MsgDefldr>
<!-- Related Message Creation Date/Time-->
<CreDt>2019-09-29T10:01:20Z</CreDt>
</Rltd>
</AppHdr>

<!-- Document -->
<Document xmlns="urn:iso:std:iso:20022:tech:xsd:pacs.009.001.08">
  <FICdtTrf>
```

```

<GrpHdr>
<!--Unique message reference as generated by sending party.-->
  <MsgId>FHI202003</MsgId>
<!--Document creation date-time -->
  <CreDtTm>2019-09-29T10:01:20+04:00</CreDtTm>
<!-- Fixed value <<false>> for MT202 equivalent -->
  <BtchBookg>false</BtchBookg>
<!--Number of payment instructions. Fixed value = 1 -->
  <NbOfTxs>1</NbOfTxs>
<!--Fixed value CLRG -->
  <SttlmInf>
    <SttlmMtd>CLRG</SttlmMtd>
  </SttlmInf>
</GrpHdr>
<CdtTrfTxInf>
  <PmtId>
<!--End-to-End reference. Not verified for uniqueness. Equivalent of field :21: NOTPROVIDED in case NONREF-->
    <EndToEndId>NOTPROVIDED</EndToEndId>
<!-- Unique transaction reference as generated by sending party. The same as MsgId in this message version -->
    <TxId>FHI202003</TxId>
<!--UETR -->
    <UETR>eda44485-9f17-451c-afc0-4456d7b7e6da</UETR>
  </PmtId>
  <PmtTpInf>
<!--Fixed value RTGS for Buna payments -->
    <ClrChanl>RTGS</ClrChanl>
<!-- Settlement priority -->
    <SvcLvl><Prtry>0020</Prtry></SvcLvl>
<!--Local instrument code identifying business process of the payment. Fixed value -->
    <LclInstrm>
      <Prtry>SCYN-SICT-FUND</Prtry>
    </LclInstrm>
  </PmtTpInf>
<!--Payment amount and currency code -->
    <IntrBkSttlmAmt Ccy="AED">222000.50</IntrBkSttlmAmt>
<!--Requested payment settlement date -->
    <IntrBkSttlmDt>2019-09-29</IntrBkSttlmDt>

```

<!--Instructing agent. BICFI for swift-registered BICs. ClrSysMmbld/Mmbld for pseudo-BIC codes (non-swift registered)-->

```
<InstgAgt>
  <FinInstnId>
    <BICFI>CBAUAEEA</BICFI>
  </FinInstnId>
</InstgAgt>
```

<!--Instructed agent. BICFI for swift-registered BICs. ClrSysMmbld/Mmbld for pseudo-BIC codes (non-swift registered)-->

```
<InstdAgt>
  <FinInstnId>
    <BICFI>ABPSEGCA</BICFI>
  </FinInstnId>
</InstdAgt>
```

<!--Debtor. Participant in Field 52a of MT202. BICFI for SWIFT-registered participants. ClrSysMmbld/Mmbld for pseudo-BIC codes (non-swift registered)-->

```
<Dbtr>
  <FinInstnId>
    <BICFI>ABPSEGCA</BICFI>
  </FinInstnId>
</Dbtr>
```

<!-- Debtor Agent. Participant in Field 53a in current version of MT202. BICFI for SWIFT-registered participants. ClrSysMmbld/Mmbld for pseudo-BIC codes (non-swift registered)-->

```
<DbtrAgt>
  <FinInstnId>
    <BICFI>CBAUAEEA</BICFI>
  </FinInstnId>
</DbtrAgt>
```

<!-- Creditor. Participant in Field 58a of MT202. BICFI for SWIFT-registered participants. ClrSysMmbld/Mmbld for pseudo-BIC codes (non-swift registered). -->

```
<Cdtr>
  <FinInstnId>
    <BICFI>ABPSEGCA</BICFI>
  </FinInstnId>
</Cdtr>
```

<!--Additional information about payment -->

```
<InstrForCdtrAgt>
  <InstrInf>/ACC/Test</InstrInf>
</InstrForCdtrAgt>
```



```

<InstrForCdtrAgt>
  <InstrInf> //Continuation </InstrInf>
</InstrForCdtrAgt>
<InstrForCdtrAgt>
  <InstrInf> /OREF/DF23324234 </InstrInf>
</InstrForCdtrAgt>
<!--Transaction type code as per defined in system dictionary of TTCs. -->
  <Purp>
    <Prtry> 091 </Prtry>
  </Purp>
</CdtTrfTxInf>
</FICdtTrf>
</Document>

```

2.2.4 Mid-day withdrawal: Usage cases and examples

A-BP is debited in Buna, FHI is credited in Buna.

Buna is debited in FHI, Correspondent Bank U is credited in FHI.

The following combinations of sending and receiving parties are allowed:

Case 1

Payment from Buna Participant A to Correspondent Bank U

Table 8. Withdrawal transfer to Correspondent Bank U in favour of BP: SCYN-SICT-WITH.

Leg 1		
Message sent by A-BP		
MT202 field	Content	pacs.009 tag
52a	Buna Participant A	Debtor
--	Buna Participant A	Instructing Agent

Leg 2		
Message sent to FHI or FHI Portal		
pacs.009 tag	Content	MT202 field
Debtor	Buna Participant A	52a
Instructing Agent	Buna	--



Leg 1 Message sent by A-BP		
MT202 field	Content	pacs.009 tag
Sender	Buna Participant A	From
Receiver	Buna	To
--	FHI	Instructed Agent
57a	FHI	Creditor Agent
58a	Correspondent Bank U	Creditor

Message sent to FHI or FHI Portal Leg 2		
pacs.009 tag	Content	MT202 field
From	Buna	Sender
To	FHI	Receiver
Instructed Agent	Correspondent Bank U	--
--	Correspondent Bank U	57a
Creditor	Buna Participant A	58a

Case 2

Payment from Buna Participant A to withdraw funds in its favour

Table 9. Withdrawal transfer to Participant A in its favour: SCYN-SICT-WITH.

Leg 1 Message sent by A-BP		
MT202 field	Content	pacs.009 tag
52a	Buna Participant A	Debtor
--	Buna Participant A	Instructing Agent
Sender	Buna Participant A	From
Receiver	Buna	To
--	FHI	Instructed Agent
57a	FHI	Creditor Agent
58a	Buna Participant A	Creditor

Message sent to FHI or FHI Portal Leg 2		
pacs.009 tag	Content	MT202 field
Debtor	Buna Participant A	52a
Instructing Agent	Buna	--
From	Buna	Sender
To	FHI	Receiver
Instructed Agent	Buna Participant A	--
--	--	--
Creditor	Buna Participant A	58a

Example of Case 1

Leg 1

MT202: Withdrawal transfer from A-BP to Buna

```
{1:F01ABPSEGCAXXX}{2:I202BUNNAEAAXXXN}{3:{113:0005}{108:ABPSEGCA202003}{111:001}{121:eda44485-9f17-451c-afc0-4456d7b7e6da}}{4:
:20:ABPSEGCA202003
:21:NONREF
:32A:190929AED222000,50
:52A:ABPSEGCA
:57A:CBAUAEAA
:58A:/987654321
UCSBAEAD
:72:/TTC/094
/LIN/SCYN-SICT-WITH
/ACC/Test
//Continuation
-}
```

MX equivalent

```
<?xml version="1.0" encoding="UTF-8"?>
<!-- Application header -->
<AppHdr xmlns="urn:iso:std:iso:20022:tech:xsd:head.001.001.01">
<!-- Message Sender -->
  <Fr>
    <FIld>
      <FinInstnId>
        <BICFI>ABPSEGCA</BICFI>
      </FinInstnId>
    </FIld>
  </Fr>
<!-- Message Receiver -->
  <To>
    <FIld>
      <FinInstnId>
        <BICFI>BUNNAEAA</BICFI>
      </FIld>
    </To>
  </AppHdr>
</-->
```

```
</FinInstnId>
</FIld>
</To>
<!-- Message Reference -->
<BizMsgld>ABPSEGCA202003</BizMsgld>
<!-- Message Type -->
<MsgDefldr>pacs.009.001.08</MsgDefldr>
<!-- Message Creation Date/Time-->
<CreDt>2019-09-29T10:02:20+04:00</CreDt>
</AppHdr>

<!-- Document -->
<Document xmlns="urn:iso:std:iso:20022:tech:xsd:pacs.009.001.08">
  <FICdtTrf>
    <GrpHdr>
      <!-- Unique message refereAce as generated by sending party.-->
      <Msgld>ABPSEGCA202003</Msgld>
      <!-- Document creation date-time -->
      <CreDtTm>2019-09-29T10:02:20+04:00</CreDtTm>
      <!-- Fixed value <<false>> for MT202 equivalent -->
      <BtchBookg>false</BtchBookg>
      <!-- Number of payment instructions. Fixed value = 1 -->
      <NbOfTxs>1</NbOfTxs>
      <!-- Fixed value CLRG -->
      <SttlmInf>
        <SttlmMtd>CLRG</SttlmMtd>
      </SttlmInf>
    </GrpHdr>
    <CdtTrfTxInf>
      <Pmtld>
        <!-- End-to-End reference. Not verified for uniqueness. Equivalent of field :21: NOTPROVIDED in case NONREF-->
        <EndToEndId>NOTPROVIDED</EndToEndId>
        <!-- Unique transaction reference as generated by sending party. The same as Msgld in this message version -->
        <Txld>ABPSEGCA202003</Txld>
      </UETR -->
      <UETR>eda44485-9f17-451c-afc0-4456d7b7e6da</UETR>
    </Pmtld>
  </FICdtTrf>
</Document>
```

```

    <PmtTplnf>
<!--Fixed value RTGS for Buna payments -->
    <ClrChanl>RTGS</ClrChanl>
<!-- Settlement priority -->
    <SvcLvl><Prtry>0005</Prtry></SvcLvl>
<!--Local instrument code identifying business process of the payment. Fixed value -->
    <LclInstrm>
        <Prtry>SCYN-SICT-WITH</Prtry>
    </LclInstrm>
</PmtTplnf>
<!--Payment amount and currency code -->
    <IntrBkSttlmAmt Ccy="AED">222000.50</IntrBkSttlmAmt>
<!--Requested payment settlement date -->
    <IntrBkSttlmDt>2019-09-29</IntrBkSttlmDt>
<!--Instructing agent.. BICFI for swift-registered BICs. ClrSysMmbld/Mmbld for pseudo-BIC codes (non-swift registered)-->
    <InstgAgt>
        <FinInstnId>
            <BICFI>ABPSEGCA</BICFI>
        </FinInstnId>
    </InstgAgt>
<!--Instructed agent. BICFI for swift-registered BICs. ClrSysMmbld/Mmbld for pseudo-BIC codes (non-swift registered)-->
    <InstdAgt>
        <FinInstnId>
            <BICFI>CBAUAEAA</BICFI>
        </FinInstnId>
    </InstdAgt>
<!--Debtor. Participant in Field 52a of MT202. BICFI for SWIFT-registered participants. ClrSysMmbld/Mmbld for pseudo-BIC codes (non-swift registered)-->
    <Dbtr>
        <FinInstnId>
            <BICFI>ABPSEGCA</BICFI>
        </FinInstnId>
    </Dbtr>
<!-- Creditor agent. Participant in Field 57a of MT202
BICFI for SWIFT-registered participants. ClrSysMmbld/Mmbld for pseudo-BIC codes (non-swift registered) -->
    <CdtrAgt>
        <FinInstnId>

```

```
        <BICFI>CBAUAEAA</BICFI>
      </FinInstnId>
    </CdrAgt>
<!-- Creditor. Participant in Field 58a of MT202. BICFI for SWIFT-registered participants. CtrSysMmbld/Mmbld for pseudo-BIC codes (non-swift
registered). -->
    <Cdr>
      <FinInstnId>
        <BICFI>UCSBAEAD</BICFI>
      </FinInstnId>
    </Cdr>
<!--Creditor account. Account of correspondent bank to be credited in FHI. -->
    <CdrAcct>
      <Id>
        <Othr>
          <Id>987654321</Id>
        </Othr>
      </Id>
    </CdrAcct>
<!--Additional information about payment -->
    <InstrForCdrAgt>
      <InstrInf>/ACC/Test</InstrInf>
    </InstrForCdrAgt>
    <InstrForCdrAgt>
      <InstrInf>//Continuation</InstrInf>
    </InstrForCdrAgt>
<!--Transaction type code as per defined in system dictionary of TTCs. -->
    <Purp>
      <Prtry>094</Prtry>
    </Purp>
  </CdtTrfTxInf>
</FICdtTrf>
</Document>
```

Leg 2

MT202: Withdrawal transfer from the Buna to FHI or FHI Portal

```
{1:F01CBAUAEAAXXX}{2:O202BUNNAEAAXXXN}{3:{113:0009}{108:BUNNAEAA12345}{111:001}{121:eda44485-9f17-451c-afc0-4456d7b7e6da}}{4:
:20:BUNNAEAA12345
:21:ABPSTNTT202003
:32A:190929AED222000,50
:52A:ABPSEGCA
:57A:UCSBAEAD
:58A:/987654321
ABPSEGCA:72:/TTC/094
/LIN/SCYN-SICT-WITH
/ACC/Test
//Continuation
-}
```

MX equivalent

```
<?xml version="1.0" encoding="UTF-8"?>
<!-- Application header -->
<AppHdr xmlns="urn:iso:std:iso:20022:tech:xsd:head.001.001.01">
<!-- Message Sender -->
  <Fr>
    <FIld>
      <FinInstnId>
        <BICFI>BUNNAEAA</BICFI>
      </FinInstnId>
    </FIld>
  </Fr>
<!-- Message Receiver -->
  <To>
    <FIld>
      <FinInstnId>
        <BICFI>CBAUAEAA</BICFI>
      </FinInstnId>
    </FIld>
  </To>
<!-- Message Reference -->
```

```

<BizMsgHdr>BUNNAEAA12345</BizMsgHdr>
<!-- Message Type -->
<MsgDefHdr>pacs.009.001.08</MsgDefHdr>
<!-- Message Creation Date/Time-->
<CreDt>2019-09-29T10:02:21+04:00</CreDt>

<Rltd>
<!-- Related Message Sender -->
  <Fr>
    <FIld>
      <FinInstnId>
        <BICFI>ABPSEGCA</BICFI>
      </FinInstnId>
    </FIld>
  </Fr>
<!-- Related Message Receiver -->
  <To>
    <FIld>
      <FinInstnId>
        <BICFI>BUNNAEAA</BICFI>
      </FinInstnId>
    </FIld>
  </To>
<!-- Related- Message Reference -->
  <BizMsgHdr>ABPSEGCA202003</BizMsgHdr>
<!-- Related - Message Type -->
  <MsgDefHdr>pacs.009.001.08</MsgDefHdr>
<!-- Related - Message Creation Date/Time-->
  <CreDt>2019-09-29T10:02:20Z</CreDt>
</Rltd>
</AppHdr>

<!-- Document -->
<Document xmlns="urn:iso:std:iso:20022:tech:xsd:pacs.009.001.08">
  <FICdtTrf>
    <GrpHdr>
<!--Unique message refereAce as generated by sending party.-->

```



```
<MsgId>BUNNAEAA12345</MsgId>
<!--Document creation date-time -->
<CreDtTm>2019-09-29T10:02:20+04:00</CreDtTm>
<!-- Fixed value <<false>> for MT202 equivalent -->
<BtchBookg>false</BtchBookg>
<!--Number of payment instructions. Fixed value = 1 -->
<NbOfTxs>1</NbOfTxs>
<!--Fixed value CLRG -->
<SttlmInf>
  <SttlmMtd>CLRG</SttlmMtd>
</SttlmInf>
</GrpHdr>
<CdtTrfTxInf>
  <PmtId>
<!--End-to-End reference. Reference of incoming withdrawal message-->
    <EndToEndId>ABPSEGCA202003</EndToEndId>
<!-- Unique transaction reference as generated by sending party. The same as MsgId in this message version -->
    <TxId>BUNNAEAA12345</TxId>
<!--UETR -->
    <UETR>eda44485-9f17-451c-afc0-4456d7b7e6da</UETR>
  </PmtId>
  <PmtTpInf>
<!--Fixed value RTGS for Buna payments -->
    <ClrChanl>RTGS</ClrChanl>
<!-- Settlement priority -->
    <SvcLvl><Prtry>0020</Prtry></SvcLvl>
<!--Local instrument code identifying business process of the payment. Fixed value -->
    <LclInstrm>
      <Prtry>SCYN-SICT-WITH</Prtry>
    </LclInstrm>
  </PmtTpInf>
<!--Payment amount and currency code -->
  <IntrBkSttlmAmt Ccy="AED">222000.50</IntrBkSttlmAmt>
<!--Requested payment settlement date -->
  <IntrBkSttlmDt>2019-09-29</IntrBkSttlmDt>
<!--Instructing agent.. BICFI for swift-registered BICs. ClrSysMmbld/Mmbld for pseudo-BIC codes (non-swift registered)-->
  <InstgAgt>
```

```
<FinInstnId>  
  <BICFI>BUNNAEAA</BICFI>  
</FinInstnId>
```

```
</InstgAgt>
```

<!--Instructed agent. BICFI for swift-registered BICs. ClrSysMmbld/Mmbld for pseudo-BIC codes (non-swift registered)-->

```
<InstdAgt>  
  <FinInstnId>  
    <BICFI>UCSBAEAD</BICFI>  
  </FinInstnId>  
</InstdAgt>
```

<!--Debtor. Participant in Field 52a of MT202. BICFI for SWIFT-registered participants. ClrSysMmbld/Mmbld for pseudo-BIC codes (non-swift registered)-->

```
<Dbtr>  
  <FinInstnId>  
    <BICFI>ABPSEGCA</BICFI>  
  </FinInstnId>  
</Dbtr>
```

**<!--Creditor Agent.The same as Instructed Agent if present.
BICFI for SWIFT-registered participants. ClrSysMmbld/Mmbld for pseudo-BIC codes (non-swift registered)-->**

```
<CdtrAgt>  
  <FinInstnId>  
    <BICFI>UCSBAEAD</BICFI>  
  </FinInstnId>  
</CdtrAgt>
```

<!-- Creditor. Participant in Field 58a of MT202. BICFI for SWIFT-registered participants. ClrSysMmbld/Mmbld for pseudo-BIC codes (non-swift registered). -->

```
<Cdtr>  
  <FinInstnId>  
    <BICFI>ABPSEGCA</BICFI>  
  </FinInstnId>  
</Cdtr>
```

<!--Additional information about payment -->

```
<InstrForCdtrAgt>  
  <InstrInf>/ACC/Test</InstrInf>
```

```
</InstrForCdtrAgt>
<InstrForCdtrAgt>
  <InstrInf>//Continuation</InstrInf>
</InstrForCdtrAgt>
<!--Transaction type code as per defined in system dictionary of TTCs. -->
  <Purp>
    <Prtry>094</Prtry>
  </Purp>
</CdtTrfTxInf>
</FICdtTrf>
</Document>
```

Example of Case 2

Leg 1

MT202: Withdrawal transfer from A-BP to Buna

```
{1:F01ABPSEGCAXXXX}{2:I202BUNNAEAXXXXN}{3:{113:0005}{108:ABPSEGCA202003}{111:001}{121:eda44485-9f17-451c-afc0-4456d7b7e6da}}{4:
:20:ABPSEGCA202003
:21:NONREF
:32A:190929AED222000,50
:52A:ABPSEGCA
:57A:CBAUAEAA
:58A:ABPSEGCA
:72:/TTC/094
/LIN/SCYN-SICT-WITH
/ACC/Test
//Continuation
-}
```

MX equivalent

```
<?xml version="1.0" encoding="UTF-8"?>
<!-- Application header -->
<AppHdr xmlns="urn:iso:std:iso:20022:tech:xsd:head.001.001.01">
<!-- Message Sender -->
  <Fr>
```

```
<FIld>
  <FinInstnId>
    <BICFI>ABPSEGCA</BICFI>
  </FinInstnId>
</FIld>
</Fr>
<!-- Message Receiver -->
<To>
  <FIld>
    <FinInstnId>
      <BICFI>BUNNAEAA</BICFI>
    </FinInstnId>
  </FIld>
</To>
<!-- Message Reference -->
<BizMsgHdr>ABPSEGCA202003</BizMsgHdr>
<!-- Message Type -->
<MsgDefldr>pacs.009.001.08</MsgDefldr>
<!-- Message Creation Date/Time-->
<CreDt>2019-09-29T10:02:20+04:00</CreDt>
</AppHdr>
<!-- Document -->
<Document xmlns="urn:iso:std:iso:20022:tech:xsd:pacs.009.001.08">
  <FICdtTrf>
    <GrpHdr>
      <!-- Unique message refereAce as generated by sending party.-->
      <MsgId>ABPSEGCA202003</MsgId>
      <!-- Document creation date-time -->
      <CreDtTm>2019-09-29T10:02:20+04:00</CreDtTm>
      <!-- Fixed value <<false>> for MT202 equivalent -->
      <BtchBookg>false</BtchBookg>
      <!-- Number of payment instructions. Fixed value = 1 -->
      <NbOfTxS>1</NbOfTxS>
      <!-- Fixed value CLRG -->
      <SttlmInf>
        <SttlmMtd>CLRG</SttlmMtd>
```

```
</SttlmInf>
</GrpHdr>
<CdtTrfTxInf>
  <PmtId>
```

<!--End-to-End reference. Not verified for uniqueness. Equivalent of field :21: NOTPROVIDED in case NONREF-->

```
    <EndToEndId>NOTPROVIDED</EndToEndId>
```

<!-- Unique transaction reference as generated by sending party. The same as MsgId in this message version -->

```
    <TxId>ABPSEGCA202003</TxId>
```

<!--UETR -->

```
    <UETR>eda44485-9f17-451c-afc0-4456d7b7e6da</UETR>
```

```
  </PmtId>
  <PmtTpInf>
```

<!--Fixed value RTGS for Buna payments -->

```
    <ClrChanl>RTGS</ClrChanl>
```

<!-- Settlement priority -->

```
    <SvcLvl><Prtry>0005</Prtry></SvcLvl>
```

<!--Local instrument code identifying business process of the payment. Fixed value -->

```
    <LclInstrm>
      <Prtry>SCYN-SICT-WITH</Prtry>
    </LclInstrm>
  </PmtTpInf>
```

<!--Payment amount and currency code -->

```
    <IntrBkSttlmAmt Ccy="AED">222000.50</IntrBkSttlmAmt>
```

<!--Requested payment settlement date -->

```
    <IntrBkSttlmDt>2019-09-29</IntrBkSttlmDt>
```

<!--Instructing agent.. BICFI for swift-registered BICs. ClrSysMmbld/Mmbld for pseudo-BIC codes (non-swift registered)-->

```
    <InstgAgt>
      <FinInstnId>
        <BICFI>ABPSEGCA</BICFI>
      </FinInstnId>
    </InstgAgt>
```

<!--Instructed agent. BICFI for swift-registered BICs. ClrSysMmbld/Mmbld for pseudo-BIC codes (non-swift registered)-->

```
    <InstdAgt>
      <FinInstnId>
        <BICFI>CBAUAEAA</BICFI>
      </FinInstnId>
    </InstdAgt>
```

```
<!-- Debtor. Participant in Field 52a of MT202. BICFI for SWIFT-registered participants. ClrSysMmbld/Mmbld for pseudo-BIC codes (non-swift registered)-->
```

```
  <Dbtr>  
    <FinInstnId>  
      <BICFI>ABPSEGCA</BICFI>  
    </FinInstnId>  
  </Dbtr>
```

```
<!-- Creditor agent. Participant in Field 57a of MT202  
BICFI for SWIFT-registered participants. ClrSysMmbld/Mmbld for pseudo-BIC codes (non-swift registered) -->
```

```
  <CdtrAgt>  
    <FinInstnId>  
      <BICFI>CBAUAEEA</BICFI>  
    </FinInstnId>  
  </CdtrAgt>
```

```
<!-- Creditor. Participant in Field 58a of MT202. BICFI for SWIFT-registered participants. ClrSysMmbld/Mmbld for pseudo-BIC codes (non-swift registered). -->
```

```
  <Cdtr>  
    <FinInstnId>  
      <BICFI>ABPSEGCA</BICFI>  
    </FinInstnId>  
  </Cdtr>
```

```
<!-- Creditor account. Account of correspondent bank to be credited in FHI. -->
```

```
  <CdtrAcct>  
    <Id>  
      <Othr>  
        <Id>987654321</Id>  
      </Othr>  
    </Id>  
  </CdtrAcct>
```

```
<!-- Additional information about payment -->
```

```
  <InstrForCdtrAgt>  
    <InstrInf>/ACC/Test</InstrInf>  
  </InstrForCdtrAgt>  
  <InstrForCdtrAgt>  
    <InstrInf>//Continuation</InstrInf>  
  </InstrForCdtrAgt>
```

```
<!-- Transaction type code as per defined in system dictionary of TTCs. -->
```

```
<Purp>
  <Prtry>094</Prtry>
</Purp>
</CdtTrfTxInf>
</FICdtTrf>
</Document>
```

Leg 2

MT202: Withdrawal transfer from the Buna to FHI or FHI Portal

```
{1:F01CBAUAEAAXXX}{2:O202BUNNAEAXXXN}{3:{113:0009}{108:BUNA202003}{111:001}{121:eda44485-9f17-451c-afc0-4456d7b7e6da}}{4:
:20:BUNA202003
:21:ABPSTNTT202003
:32A:190929AED222000,50
:52A:ABPSEGCA
:58A:ABPSEGCA
:72:/TTC/094
/LIN/SCYN-SICT-WITH
/ACC/Test
//Continuation
-}
```

MX equivalent

```
<?xml version="1.0" encoding="UTF-8"?>
<!-- Application header -->
<AppHdr xmlns="urn:iso:std:iso:20022:tech:xsd:head.001.001.01">
<!-- Message Sender -->
  <Fr>
    <FIId>
      <FinInstnId>
        <BICFI>BUNNAEAA</BICFI>
      </FinInstnId>
    </FIId>
  </Fr>
<!-- Message Receiver -->
```

```
<To>
  <FIld>
    <FinInstnId>
      <BICFI>CBAUAEEA</BICFI>
    </FinInstnId>
  </FIld>
</To>
<!-- Message Reference -->
<BizMsgIdr>BUNA202003</BizMsgIdr>
<!-- Message Type -->
<MsgDefIdr>pacs.009.001.08</MsgDefIdr>
<!-- Message Creation Date/Time-->
<CreDt>2019-09-29T10:02:21+04:00</CreDt>

<Rltd>
<!-- Related Message Sender -->
  <Fr>
    <FIld>
      <FinInstnId>
        <BICFI>ABPSEGCA</BICFI>
      </FinInstnId>
    </FIld>
  </Fr>
<!-- Related Message Receiver -->
  <To>
    <FIld>
      <FinInstnId>
        <BICFI>BUNNAEAA</BICFI>
      </FinInstnId>
    </FIld>
  </To>
<!-- Related- Message Reference -->
<BizMsgIdr>ABPSEGCA202003</BizMsgIdr>
<!-- Related - Message Type -->
<MsgDefIdr>pacs.009.001.08</MsgDefIdr>
<!-- Related - Message Creation Date/Time-->
<CreDt>2019-09-29T10:02:20Z</CreDt>
```



```
</Rltd>
</AppHdr>
<!-- Document -->
<Document xmlns="urn:iso:std:iso:20022:tech:xsd:pacs.009.001.08">
  <FICdtTrf>
    <GrpHdr>
      <!--Unique message refereAce as generated by sending party.-->
        <Msgld>BUNA202003</Msgld>
      <!--Document creation date-time -->
        <CreDtTm>2019-09-29T10:02:20+04:00</CreDtTm>
      <!-- Fixed value <<false>> for MT202 equivalent -->
        <BtchBookg>false</BtchBookg>
      <!--Number of payment instructions. Fixed value = 1 -->
        <NbOfTxS>1</NbOfTxS>
      <!--Fixed value CLRG -->
        <SttlmInf>
          <SttlmMtd>CLRG</SttlmMtd>
        </SttlmInf>
      </GrpHdr>
      <CdtTrfTxInf>
        <PmtId>
          <!--End-to-End reference. Reference of incoming withdrawal message-->
            <EndToEndId>ABPSEGCA202003</EndToEndId>
          <!-- Unique transaction reference as generated by sending party. The same as Msgld in this message version -->
            <TxId>BUNA202003</TxId>
          <!--UETR -->
            <UETR>eda44485-9f17-451c-afc0-4456d7b7e6da</UETR>
          </PmtId>
          <PmtTpInf>
            <!--Fixed value RTGS for Buna payments -->
              <ClrChanl>RTGS</ClrChanl>
            <!-- Settlement priority -->
              <SvcLvl><Prtry>0020</Prtry></SvcLvl>
            <!--Local instrument code identifying business process of the payment. Fixed value -->
              <LclInstrm>
                <Prtry>SCYN-SICT-WITH</Prtry>
```

```
</LclInstrm>
</PmtTpInf>
<!--Payment amount and currency code -->
<IntrBkSttlmAmt Ccy="AED">222000.50</IntrBkSttlmAmt>
<!--Requested payment settlement date -->
<IntrBkSttlmDt>2019-09-29</IntrBkSttlmDt>
<!--Instructing agent.. BICFI for swift-registered BICs. ClrSysMmbld/Mmbld for pseudo-BIC codes (non-swift registered)-->
<InstgAgt>
  <FinInstnId>
    <BICFI>BUNNAEAA</BICFI>
  </FinInstnId>
</InstgAgt>
<!--Instructed agent. BICFI for swift-registered BICs. ClrSysMmbld/Mmbld for pseudo-BIC codes (non-swift registered)-->
<InstdAgt>
  <FinInstnId>
    <BICFI>ABPSEGCA</BICFI>
  </FinInstnId>
</InstdAgt>
<!--Debtor. Participant in Field 52a of MT202. BICFI for SWIFT-registered participants. ClrSysMmbld/Mmbld for pseudo-BIC codes (non-swift registered)-->
<Dbtr>
  <FinInstnId>
    <BICFI>ABPSEGCA</BICFI>
  </FinInstnId>
</Dbtr>
<!-- Creditor. Participant in Field 58a of MT202. BICFI for SWIFT-registered participants. ClrSysMmbld/Mmbld for pseudo-BIC codes (non-swift registered). -->
<Cdtr>
  <FinInstnId>
    <BICFI>ABPSEGCA</BICFI>
  </FinInstnId>
</Cdtr>
<!--Additional information about payment -->
<InstrForCdtrAgt>
  <InstrInf>/ACC/Test</InstrInf>
</InstrForCdtrAgt>
```



```

<InstrForCdrAgt>
  <InstrInf> //Continuation </InstrInf>
</InstrForCdrAgt>
<!--Transaction type code as per defined in system dictionary of TTCs. -->
  <Purp>
    <Prtry>094</Prtry>
  </Purp>
</CdtTrfTxInf>
</FICdtTrf>
</Document>

```

2.2.5 Defunding: Usage case and examples

Case 1

End-of-day defunding of Buna Participant A. The funds will be returned to Correspondent Bank U at FHI.

Buna Participant A is debited in Buna; Buna account is credited in Buna.

Buna account linked to FHI is debited at FHI; Correspondent Bank U account is credited at FHI.

Table 10. End-of-day Defunding : SCYN-SIDT-DFND

Leg 1		
Message from Buna received by BP-A		
MT204 field	Content	pacs.010 tag
53a	Buna Participant A	Debtor
--	Buna	Instructing Agent
Sender	Buna	From
Receiver	Buna Participant A	To
--	Buna Participant A	Instructed Agent

Leg 2		
Message from Buna received by FHI or FHI Portal		
pacs.009 tag	Content	MT202 field
Debtor	Buna Participant A	52a
Instructing Agent	Buna	--
From	Buna	Sender
To	FHI	Receiver
Instructed Agent	Correspondent Bank U	--



Leg 1		
Message from Buna received by BP-A		
MT204 field	Content	pacs.010 tag
57a	FHI	Creditor Agent
58a	Correspondent Bank U	Creditor

Leg 2		
Message from Buna received by FHI or FHI Portal		
pacs.009 tag	Content	MT202 field
Creditor Agent	Correspondent Bank U	57a
Creditor	Buna Participant A	58a

Case 2

End-of-day defunding of Buna Participant A. The funds will be returned to Buna Participant A at FHI.

Buna Participant A is debited in Buna; Buna account is credited in Buna.

Buna account linked to FHI is debited at FHI; Buna Participant A account is credited at FHI.

Table 11. End-of-day Defunding: SCYN-SIDT-DFND

Leg 1		
Message from Buna received by BP-A		
MT204 field	Content	pac.010 tag
53a	Buna Participant A	Debtor
--	Buna	Instructing Agent
Sender	Buna	From
Receiver	Buna Participant A	To
--	Buna Participant A	Instructed Agent
57a	FHI	Creditor Agent
58a	Buna Participant A	Creditor

Leg 2		
Message from Buna received by FHI or FHI Portal		
pac.009 tag	Content	MT202 field
Debtor	Buna Participant A	52a
Instructing Agent	Buna	--
From	Buna	Sender
To	FHI	Receiver
Instructed Agent	Buna Participant A	--
		--
Creditor	Buna Participant A	58a

Example of Case 1

Leg 1

MT204: Buna Notification on defunding

```
{1:F01ABPSEGCAXXXX}{2:O204BUNNAEAXXXXN}{3:{113:0005}{108:1909290001000951}}{4:
:20:BUNADEF13534
:19:20000,
:30:190929
:57A:CBAUAEEA
:58A:UCSBAEAD
:20:BUNADEF13534
:21:NONREF
:32B:AED20000,
:53B:ABPSEGCA
:72:/TTC/095
-}
```

MX equivalent

```
<?xml version="1.0" encoding="UTF-8"?>
<!-- Application header -->
<AppHdr xmlns="urn:iso:std:iso:20022:tech:xsd:head.001.001.01">
<!-- Message Sender -->
  <Fr>
    <FIId>
      <FinInstnId>
        <BICFI>BUNNAEAA</BICFI>
      </FinInstnId>
    </FIId>
  </Fr>
<!-- Message Receiver -->
  <To>
    <FIId>
      <FinInstnId>
        <BICFI>ABPSEGCA</BICFI>
      </FinInstnId>
    </FIId>
  </To>
</AppHdr>
```

```

</FIld>
</To>
<!-- Message Reference -->
<BizMsgldr>190929BUNNAEAAXXX0001000951</BizMsgldr>
<!-- Message Type -->
<MsgDefldr>pacs.010.001.03</MsgDefldr>
<!-- Message Creation Date/Time-->
<CreDt>2019-09-29T20:01:30Z</CreDt>
</AppHdr>

<!-- Document -->
<Document xmlns="urn:iso:std:iso:20022:tech:xsd:pacs.010.001.03">
  <FIDrctDbt>
    <GrpHdr>
      <!--Unique message reference as generated by sending party.-->
      <Msgld>BUNADEF13534</Msgld>
      <!--Document creation date-time -->
      <CreDtTm>2019-09-29T20:01:30+04:00</CreDtTm>
      <!-- Number of payment instructions. Fixed value = 1 for MT204 equivalent -->
      <NbOfTxs>1</NbOfTxs>
      <!-- Sum without currency code -->
      <CtrlSum>20000.</CtrlSum>
    </GrpHdr>
    <CdtInstr>
      <CdtId>BUNADEF13534</CdtId>
      <!--Requested payment settlement date -->
      <IntrBkSttlmDt>2019-09-29</IntrBkSttlmDt>
      <!--Instructing agent. Buna System in this message version.-->
      <InstgAgt>
        <FinInstnId>
          <BICFI>BUNNAEAA</BICFI>
        </FinInstnId>
      </InstgAgt>
      <!--Instructed agent. Participant who is receiving the payment message and debited after defunding. -->
      <InstdAgt>
        <FinInstnId>
          <BICFI>ABPSEGCA</BICFI>

```

```

    </FinInstnId>
  </InstdAgt>

```

<!-- FHI which holds account of Creditor -->

```

  <CdtrAgt>
    <FinInstnId>
      <BICFI>CBAUAEEA</BICFI>
    </FinInstnId>
  </CdtrAgt>

```

<!-- Financial Institution who is Creditor (Correspondent Bank) -->

```

  <Cdtr>
    <FinInstnId>
      <BICFI>UCSBAEAD</BICFI>
    </FinInstnId>
  </Cdtr>
  <DrctDbtTxInf>
    <PmtId>

```

<!-- Equivalent of Field 20 in Sequence A -->

```

  <InstrId>BUNADEF13534</InstrId>

```

<!--End-to-End reference. Equivalent of Field 21 in Sequence A. Not verified for uniqueness. Equivalent of field :21: NOTPROVIDED in case NONREF-->

```

  <EndToEndId>NOTPROVIDED</EndToEndId>

```

<!-- Unique transaction reference as generated by sending party. Cncantention of MsgId and InstrId via two slashes -->

```

  <TxId>BUNADEF13534//BUNADEF13534</TxId>

```

<!--UETR -->

```

  <UETR>f6b26fbd-bff8-4bb4-9648-f6aa67560a8a</UETR>
</PmtId>
  <PmtTpInf>

```

<!--Fixed value RTGS for the System payments -->

```

  <ClrChanl>RTGS</ClrChanl>
  <SvcLvl><Prtry>0010</Prtry></SvcLvl>

```

<!--Local instrument code identifying business process of the payment -->

```

  <LclInstrm>
    <Prtry>SCYN-SIDT-DFND</Prtry>
  </LclInstrm>
</PmtTpInf>

```



```
<!--Payment amount and currency code -->
    <IntrBkSttlmAmt Ccy="AED">20000.</IntrBkSttlmAmt>
<!-- Debtor. Participant to be debited in the System. BICFI for SWIFT-registered participants. ClrSysMmbld/Mmbld – for pseudo-BIC codes (non-swift registered)-->
    <Dbtr>
        <FinInstnId>
            <BICFI>ABPSEGCA</BICFI>
        </FinInstnId>
    </Dbtr>
<!--Additional information about payment -->
    <InstrForDbtrAgt>/TTC/095</InstrForDbtrAgt>
<!-- Transaction type code as per defined in system dictionary of TTCs. -->
    <Purp>
        <Prtry>095</Prtry>
    </Purp>
</DrctDbtTxInf>
</CdtInstr>
</FIDrctDbt>
</Document>
```

Leg 2

MT202: Defunding transfer from Buna to FHI Portal or FHI

```
{1:F01CBAUAEAAXXX}{2:O202BUNNAEAXXXN}{3:{113:0009}{108:BUNA202003}{111:001}{121:eda44485-9f17-451c-afc0-4456d7b7e6da}}{4:
:20:BUNA202003
:21:ABPSTNTT202003
:32A:190929AED222000,50
:52A:ABPSEGCA
:57A:UCSBAEAD
:58A:ABPSEGCA
:72:/TTC/095
/LIN/SCYN-SIDT-DFND
/ACC/Test
//Continuation
-}
```

MX equivalent

```
<?xml version="1.0" encoding="UTF-8"?>
<!-- Application header -->
<AppHdr xmlns="urn:iso:std:iso:20022:tech:xsd:head.001.001.01">
  <!-- Message Sender -->
  <Fr>
    <FIld>
      <FinInstnId>
        <BICFI>BUNNAEAA</BICFI>
      </FinInstnId>
    </FIld>
  </Fr>
  <!-- Message Receiver -->
  <To>
    <FIld>
      <FinInstnId>
        <BICFI>CBAUAEEA</BICFI>
      </FinInstnId>
    </FIld>
  </To>
  <!-- Message Reference -->
  <BizMsgldr>BUNA202003</BizMsgldr>
  <!-- Message Type -->
  <MsgDefldr>pacs.009.001.08</MsgDefldr>
  <!-- Message Creation Date/Time-->
  <CreDt>2019-09-29T20:01:35Z</CreDt>
</AppHdr>

<!-- Document -->
<Document xmlns="urn:iso:std:iso:20022:tech:xsd:pacs.009.001.08">
  <FICdtTrf>
    <GrpHdr>
      <!--Unique message reference as generated by sending party.-->
      <Msgld>BUNA202003</Msgld>
      <!--Document creation date-time -->
      <CreDtTm>2019-09-29T20:01:35+04:00</CreDtTm>
      <!-- Fixed value <<false>> for MT202 equivalent -->
```

```
<BtchBookg>false</BtchBookg>
<!--Number of payment instructions. Fixed value = 1 -->
<NbOfTxs>1</NbOfTxs>
<!--Fixed value CLRG -->
<SttlmInf>
  <SttlmMtd>CLRG</SttlmMtd>
</SttlmInf>
<PmtTpInf>
<!--Fixed value RTGS for Buna payments -->
  <ClrChanl>RTGS</ClrChanl>
<!-- Settlement priority -->
  <SvcLvl><Prtry>0005</Prtry></SvcLvl>
<!--Local instrument code identifying business process of the payment. Fixed value -->
  <LclInstrm>
    <Prtry>SCYN-SIDT-DFND</Prtry>
  </LclInstrm>
</PmtTpInf>
<!--Instructing agent. Participant whose sending payment to the system and debited in Buna. BICFI for swift-registered BICs. ClrSysMmbld/Mmbld for pseudo-BIC codes (non-swift registered)-->
  <InstgAgt>
    <FinInstnId>
      <BICFI>BUNNAEAA</BICFI>
    </FinInstnId>
  </InstgAgt>
<!--Instructed agent. Participant whose receiving payment and credited in Buna. BICFI for swift-registered BICs. ClrSysMmbld/Mmbld for pseudo-BIC codes (non-swift registered)-->
  <InstdAgt>
    <FinInstnId>
      <BICFI>UCSBAEAD</BICFI>
    </FinInstnId>
  </InstdAgt>
</GrpHdr>
<CdtTrfTxInf>
  <PmtId>
<!--End-to-End reference. Reference of MT204/pacs.010 sent to BP-->
    <EndToEndId>BUNADEF13534</EndToEndId>
<!-- Unique transaction reference as generated by sending party. The same as Msgld in this message version -->
```

```
<TxId>BUNA202003</TxId>
<!--UETR -->
  <UETR>eda44485-9f17-451c-afc0-4456d7b7e6da</UETR>
</PmtId>
<!--Payment amount and currency code -->
  <IntrBkSttlmAmt Ccy="AED">222000.50</IntrBkSttlmAmt>
<!--Requested payment settlement date -->
  <IntrBkSttlmDt>2019-09-29</IntrBkSttlmDt>
<!--Debtor. Participant in Field 52a of MT202. BICFI for SWIFT-registered participants. ClrSysMmbld/Mmbld for pseudo-BIC codes (non-swift registered)-->
  <Dbtr>
    <FinInstnId>
      <BICFI>ABPSEGCA</BICFI>
    </FinInstnId>
  </Dbtr>
<!--Creditor Agent. Participant in Field 57a of MT202. BICFI for SWIFT-registered participants. ClrSysMmbld/Mmbld for pseudo-BIC codes (non-swift registered). -->
  <CdtrAgt>
    <FinInstnId>
      <BICFI>UCSBAEAD</BICFI>
    </FinInstnId>
  </CdtrAgt>
<!-- Creditor. Participant in Field 58a of MT202. BICFI for SWIFT-registered participants. ClrSysMmbld/Mmbld for pseudo-BIC codes (non-swift registered). -->
  <Cdtr>
    <FinInstnId>
      <BICFI>ABPSEGCA</BICFI>
    </FinInstnId>
  </Cdtr>
<!--Additional information about payment -->
  <InstrForCdtrAgt>
    <InstrInf>/TTC/095</InstrInf>
  </InstrForCdtrAgt>
<!--Transaction type code as per defined in system dictionary of TTCs. -->
  <Purp>
```

```
<Prtry>095</Prtry>
  </Purp>
  </CdtTrfTxInf>
</FICdtTrf>
</Document>
```

Example of Case 2

Leg 1

MT204: Buna Notification on defunding

```
{1:F01ABPSEGCAXXXX}{2:O204BUNNAEAAAXXXN}{3:{113:0005}{108:1909290001000951}}{4:
:20:BUNADEF13534
:19:20000,
:30:190929
:57A:CBAUAEEA
:58A:ABPSEGCA
:20:BUNADEF13534
:21:NONREF
:32B:AED20000,
:53B:ABPSEGCA
:72:/TTC/095
-}
```

MX equivalent

```
<?xml version="1.0" encoding="UTF-8"?>
<!-- Application header -->
<AppHdr xmlns="urn:iso:std:iso:20022:tech:xsd:head.001.001.01">
<!-- Message Sender -->
  <Fr>
    <FIld>
      <FinInstnId>
        <BICFI>BUNNAEAA</BICFI>
      </FinInstnId>
    </FIld>
  </Fr>
```

<!-- Message Receiver -->

```
<To>
  <FIld>
    <FinInstnId>
      <BICFI>ABPSEGCA </BICFI>
    </FinInstnId>
  </FIld>
</To>
```

<!-- Message Reference -->

```
<BizMsgIdr>190929BUNNAEAAXXX0001000951</BizMsgIdr>
```

<!-- Message Type -->

```
<MsgDefIdr>pacs.010.001.03</MsgDefIdr>
```

<!-- Message Creation Date/Time-->

```
<CreDt>2019-09-29T20:01:30Z</CreDt>
</AppHdr>
```

<!-- Document -->

```
<Document xmlns="urn:iso:std:iso:20022:tech:xsd:pacs.010.001.03">
  <FIDrctDbt>
    <GrpHdr>
```

<!--Unique message reference as generated by sending party.-->

```
    <MsgId>BUNADEF13534</MsgId>
```

<!--Document creation date-time -->

```
    <CreDtTm>2019-09-29T20:01:30+04:00</CreDtTm>
```

<!-- Number of payment instructions. Fixed value = 1 for MT204 equivalent -->

```
    <NbOfTxs>1</NbOfTxs>
```

<!-- Sum without currency code -->

```
    <CtrlSum>20000.</CtrlSum>
  </GrpHdr>
  <CdtInstr>
    <CdtId>BUNADEF13534</CdtId>
```

<!--Requested payment settlement date -->

```
    <IntrBkSttlmDt>2019-09-29</IntrBkSttlmDt>
```

<!--Instructing agent. Buna System in this message version.-->

```
    <InstgAgt>
      <FinInstnId>
        <BICFI>BUNNAEAA</BICFI>
```

```

        </FinInstnId>
    </InstgAgt>
<!-- Instructed agent. Participant who is receiving the payment message and debited after defunding. -->
    <InstdAgt>
        <FinInstnId>
            <BICFI>ABPSEGCA</BICFI>
        </FinInstnId>
    </InstdAgt>

<!-- FHI which holds account of Creditor -->
    <CdtrAgt>
        <FinInstnId>
            <BICFI>CBAUAEEA</BICFI>
        </FinInstnId>
    </CdtrAgt>

<!-- Financial Institution who is Creditor (Correspondent Bank) -->
    <Cdtr>
        <FinInstnId>
            <BICFI>ABPSEGCA</BICFI>
        </FinInstnId>
    </Cdtr>

    <DrctDbtTxInf>
        <PmtId>

<!-- Equivalent of Field 20 in Sequence A -->
        <InstrId>BUNADEF13534</InstrId>
<!-- End-to-End reference. Equivalent of Field 21 in Sequence A. Not verified for uniqueness. Equivalent of field :21: NOTPROVIDED in case
NONREF-->
        <EndToEndId>NOTPROVIDED</EndToEndId>
<!-- Unique transaction reference as generated by sending party. Cncantation of MsgId and InstrId via two slashes -->
        <TxId>BUNADEF13534//BUNADEF13534</TxId>

<!-- UETR -->
        <UETR>f6b26fbd-bff8-4bb4-9648-f6aa67560a8a</UETR>
    </PmtId>
    <PmtTpInf>

<!-- Fixed value RTGS for the System payments -->

```

```

        <ClrChanl>RTGS</ClrChanl>
        <SvcLvl><Prtry>0010</Prtry></SvcLvl>
<!--Local instrument code identifying business process of the payment -->
        <LclInstrm>
            <Prtry>SCYN-SICT-DFND</Prtry>
        </LclInstrm>
        </PmtTplnf>
<!--Payment amount and currency code -->
        <IntrBkSttlmAmt Ccy="AED">20000.</IntrBkSttlmAmt>
<!--Debtor. Participant to be debited in the System. BICFI for SWIFT-registered participants. ClrSysMmbld/Mmbld – for pseudo-BIC codes (non-swift registered)-->
        <Dbtr>
            <FinInstnId>
                <BICFI>ABPSEGCA</BICFI>
            </FinInstnId>
        </Dbtr>
<!--Additional information about payment -->
        <InstrForDbtrAgt>/TTC/095</InstrForDbtrAgt>
<!-- Transaction type code as per defined in system dictionary of TTCs. -->
        <Purp>
            <Prtry>095</Prtry>
        </Purp>
        </DrctDbtTxInf>
    </CdtInstr>
</FIDrctDbt>
</Document>

```

Leg 2

MT202: Defunding transfer from Buna to FHI Portal or FHI

```

{1:F01CBAUAEAAXXX}{2:O202BUNNAEAXXXN}{3:{113:0009}{108:BUNA202003}{111:001}{121:eda44485-9f17-451c-afc0-4456d7b7e6da}}{4:
:20:BUNA202003
:21:ABPSTNTT202003
:32A:190929AED222000,50
:52A:ABPSEGCA
:58A:ABPSEGCA

```



```
:72:/TTC/095  
/LIN/SCYN-SIDT-DFND  
/ACC/Test  
//Continuation  
-}
```

MX equivalent

```
<?xml version="1.0" encoding="UTF-8"?>  
<!-- Application header -->  
<AppHdr xmlns="urn:iso:std:iso:20022:tech:xsd:head.001.001.01">  
<!-- Message Sender -->  
  <Fr>  
    <FIld>  
      <FinInstnId>  
        <BICFI>BUNNAEAA</BICFI>  
      </FinInstnId>  
    </FIld>  
  </Fr>  
<!-- Message Receiver -->  
  <To>  
    <FIld>  
      <FinInstnId>  
        <BICFI>CBAUAEAA</BICFI>  
      </FinInstnId>  
    </FIld>  
  </To>  
<!-- Message Reference -->  
  <BizMsgIdr>BUNA202003</BizMsgIdr>  
<!-- Message Type -->  
  <MsgDefIdr>pacs.009.001.08</MsgDefIdr>  
<!-- Message Creation Date/Time-->  
  <CreDt>2019-09-29T20:01:35Z</CreDt>  
</AppHdr>  
<!-- Document -->  
<Document xmlns="urn:iso:std:iso:20022:tech:xsd:pacs.009.001.08">
```

```
<FICdtTrf>
  <GrpHdr>
    <!--Unique message reference as generated by sending party.-->
    <MsgId>BUNA202003</MsgId>
    <!--Document creation date-time -->
    <CreDtTm>2019-09-29T20:01:35+04:00</CreDtTm>
    <!-- Fixed value <<false>> for MT202 equivalent -->
    <BtchBookg>false</BtchBookg>
    <!--Number of payment instructions. Fixed value = 1 -->
    <NbOfTxs>1</NbOfTxs>
    <!--Fixed value CLRG -->
    <SttlmInf>
      <SttlmMtd>CLRG</SttlmMtd>
    </SttlmInf>
    <PmtTplnf>
      <!--Fixed value RTGS for Buna payments -->
      <ClrChanl>RTGS</ClrChanl>
      <!-- Settlement priority -->
      <SvcLvl><Prtry>0005</Prtry></SvcLvl>
      <!--Local instrument code identifying business process of the payment. Fixed value -->
      <LclInstrm>
        <Prtry>SCYN-SIDT-DFND</Prtry>
      </LclInstrm>
    </PmtTplnf>
    <!--Instructing agent. Participant whose sending payment to the system and debited in Buna. BICFI for swift-registered BICs. ClrSysMmbld/Mmbld for pseudo-BIC codes (non-swift registered)-->
    <InstgAgt>
      <FinInstnId>
        <BICFI>BUNNAEAA</BICFI>
      </FinInstnId>
    </InstgAgt>
    <!--Instructed agent. Participant whose receiving payment and credited in Buna. BICFI for swift-registered BICs. ClrSysMmbld/Mmbld for pseudo-BIC codes (non-swift registered)-->
    <InstdAgt>
      <FinInstnId>
        <BICFI>ABPSEGCA</BICFI>
      </FinInstnId>
```

```
</InstdAgt>
</GrpHdr>
<CdtTrfTxInf>
  <PmtId>
```

```
<!--End-to-End reference. Reference of MT204/pacs.010 sent to BP -->
```

```
  <EndToEndId>BUNADEF13534</EndToEndId>
```

```
<!-- Unique transaction reference as generated by sending party. The same as MsgId in this message version -->
```

```
  <TxId>BUNA202003</TxId>
```

```
<!--UETR -->
```

```
  <UETR>eda44485-9f17-451c-afc0-4456d7b7e6da</UETR>
```

```
  </PmtId>
```

```
<!--Payment amount and currency code -->
```

```
  <IntrBkSttlmAmt Ccy="AED">222000.50</IntrBkSttlmAmt>
```

```
<!--Requested payment settlement date -->
```

```
  <IntrBkSttlmDt>2019-09-29</IntrBkSttlmDt>
```

```
<!--Debtor. Participant in Field 52a of MT202. BICFI for SWIFT-registered participants. CtrSysMmbld/Mmbld for pseudo-BIC codes (non-swift registered)-->
```

```
  <Dbtr>
```

```
    <FinInstnId>
```

```
      <BICFI>ABPSEGCA</BICFI>
```

```
    </FinInstnId>
```

```
  </Dbtr>
```

```
<!-- Creditor. Participant in Field 58a of MT202. BICFI for SWIFT-registered participants. CtrSysMmbld/Mmbld for pseudo-BIC codes (non-swift registered). -->
```

```
  <Cdtr>
```

```
    <FinInstnId>
```

```
      <BICFI>ABPSEGCA</BICFI>
```

```
    </FinInstnId>
```

```
  </Cdtr>
```

```
<!--Additional information about payment -->
```

```
  <InstrForCdrAgt>
```

```
    <InstrInf>/TTC/095</InstrInf>
```

```
  </InstrForCdrAgt>
```

```
<!--Transaction type code as per defined in system dictionary of TTCs. -->
```

```
  <Purp>
```

```
    <Prtry>095</Prtry>
```



```
</Purp>  
</CdtTrfTxInf>  
</FICdtTrf>  
</Document>
```

2.3 MT202 ≡ PACS.004: RETURN TRANSFER

2.3.1 Format of MT202 and mapping to pacs.004

Please refer to [1.11] for the description of the fields of message header which are not described in the table below.

Format of MT202 ≡ pacs.004: Return Transfer.

SWIFT Status	MT Field	MT Field Name	MT Format	Buna Status	Comment	Example	Xpath in head.001 and pacs.004
M	Block 2	Message type	MT: 3!n	M	MT: SWIFT message type. MX: MX message type	MT: 202 MX: pacs.004.001.09	AppHdr + MsgDefldr Document AND
O	113 in Block 3	Priority	4!n	O	Settlement priority	0020	AppHdr + Prty
M	121	UETR	36!x	M	UETR of original message to be returned. No UETR in case of returning MT102 single transaction	eda44485-9f17-451c-afc0-4456d7b7e6da	Document + PmtRtr ++ TxInf +++ OrgnIUETR

SWIFT Status	MT Field	MT Field Name	MT Format	Buna Status	Comment	Example	Xpath in head.001 and pacs.004
M	20	Transaction Reference Number	16x	M	Unique sequence of symbols assigned by sender of return message	NA9786654	Document + PmtRtr ++ GrpHdr ++++ MsgId
M	21	Related reference	16x	M	See comment below the table	MT: NONREF MX: NOTPROVIDED	Document + PmtRtr ++ TxInf +++ OrgnlEndToEndId
M	32A	Value Date, Currency Code, Amount	6!n	M	Value date	MT: 190929AED222000,50 MX: 2019-09-29	Document + PmtRtr ++ TxInf +++ IntrBkSttlmDt
			3!a15d	MA	Currency and amount	MT: 190929AED222000,50 MX: Ccy="AED" 222000.50	Document + PmtRtr ++ TxInf +++ RtrdIntrBkSttlmAmt
			3!a15d	MA	In case of returning MT102 or its MX equivalent	MX: Ccy="AED" 222000.50	Document + PmtRtr ++ GrpHdr +++ TtIRtrdIntrBkSttlmAmt

SWIFT Status	MT Field	MT Field Name	MT Format	Buna Status	Comment	Example	Xpath in head.001 and pacs.004
O	52a		/3!a/	O	Keyword FHI with slash after keyword in MT message.	MT: /FHI/CBAUAEAA MX: FHI	Document + PmtRtr ++ TxInf +++ RtrChain ++++ Dbtr +++++ Agt ++++++ FinInstnId +++++++ Othr +++++++ SchmeNm +++++++ Prtry
			4!a2!a2!c[3!c]		FHI of Buna Participant involved in payment exchange.	MT: /FHI/CBAUAEAA MX: CBAUAEAA	Document + PmtRtr ++ TxInf +++ RtrChain ++++ Dbtr +++++ Agt ++++++ FinInstnId +++++++ Othr +++++++ Id



SWIFT Status	MT Field	MT Field Name	MT Format	Buna Status	Comment	Example	Xpath in head.001 and pacs.004
O	52A	Ordering Institution	4!a2!a2!c[3!c]	MA	BIC of BP	ABPSEGCA	Document + PmtRtr ++ TxInf +++ RtrChain ++++ Dbtr +++++ Agt ++++++ FinInstnId +++++++ BICFI AND Document + PmtRtr ++ TxInf +++ InstgAgt ++++ FinInstnId +++++ BICFI



SWIFT Status	MT Field	MT Field Name	MT Format	Buna Status	Comment	Example	Xpath in head.001 and pacs.004
	52D		4!a2!a2!c[3!c]	MA	Pseudo-BIC of BP	AAAAOMRU	Document + PmtRtr ++ TxInf +++ RtrChain ++++ Dbtr +++++ Agt ++++++ FinInstnId +++++++ ClrSysMmbld ++++++++ Mmbld AND Document + PmtRtr ++ TxInf +++ InstgAgt ++++ FinInstnId +++++ ClrSysMmbld ++++++ Mmbld



SWIFT Status	MT Field	MT Field Name	MT Format	Buna Status	Comment	Example	Xpath in head.001 and pacs.004
--	--	--	--	O	MX: BIC/pseudo-BIC of an FI which sends the transfer in case the FI is not Buna participant. First 8 symbols of BIC of the FI are the same as those in Buna participant BIC/pseudo-BIC.	ABPSEGCA456	Document + PmtRtr ++ TxInf +++ RtrChain ++++ Dbtr +++++ Agt ++++++ Brnchld +++++++ Id AND Document + PmtRtr ++ TxInf +++ InstgAgt ++++ Brnchld +++++ Id
M	58A	Beneficiary institution	4!a2!a2!c[3!c]	MA	BIC of crediting BP	BBPSBHBM	Document + PmtRtr ++ TxInf +++ RtrChain ++++ Cdtr +++++ Agt ++++++ FinInstnld +++++++ BICFI

SWIFT Status	MT Field	MT Field Name	MT Format	Buna Status	Comment	Example	Xpath in head.001 and pacs.004
	58D		4!a2!a2!c[3!c]	MA	Pseudo-BIC of crediting	BBBBBHBM	Document + PmtRtr ++ TxInf +++ RtrChain ++++ Cdtr +++++ Agt ++++++ FinInstnId +++++++ ClrSysMmbld +++++++ Mmbld
--	--	--	--	O	MX: BIC/pseudo-BIC of an FI which receives the transfer in case the FI is not Buna participant. First 8 symbols of BIC of the FI are the same as those in Buna participant BIC/pseudo-BIC.	BBPSTNTT123	Document + PmtRtr ++ TxInf +++ RtrChain ++++ Cdtr +++++ Agt ++++++ Brnchld +++++++ Id AND Document + PmtRtr ++ TxInf +++ InstdAgt ++++ Brnchld +++++ Id

SWIFT Status	MT Field	MT Field Name	MT Format	Buna Status	Comment	Example	Xpath in head.001 and pacs.004
O	72	Sender to Receiver Information	/4!a/2!n[1!a]/2c]	M	/REJT/ means a reject and is followed by the identification of the field causing the reject or /RETN/ means a return and is followed by the identification of the field causing the return.	/RETN/59	Document + PmtRtr ++ TxInf +++ RtrRsnInf[1] ++++ AddtlInf[1]
			/2!c2!n/	M	Return reason code	MT: /AC04/ MX: AC04	Document + PmtRtr ++ TxInf +++ RtrRsnInf ++++ Rsn +++++ Prtry
			29x	O	Text description of the preceding reason code	Closed account number 4234	Document + PmtRtr ++ TxInf +++ RtrRsnInf[1] ++++ AddtlInf[2]
			/MREF/16x	M	Original Message Id	MT: /MREF/IT055918121 MX: IT055918121	Document + PmtRtr ++ OrgnlGrplnf +++ OrgnlMsgld



SWIFT Status	MT Field	MT Field Name	MT Format	Buna Status	Comment	Example	Xpath in head.001 and pacs.004
			/TREF/16x	O	Original Instruction Id (return of MT102 instruction)	MT: /TREF/2342345TTQ MX: 2342345TTQ	Document + PmtRtr ++ TxInf +++ OrgnlInstrld
			/TEXT/3!n	M	Original transfer message type	MT: /TEXT/103/190929/S/ABP SEGCA MX: pacs.008.001.08	Document + PmtRtr ++ OrgnlGrplnf +++ OrgnlMsgNmld
			/6!n	M	Original transfer value date	MT: /TEXT/103/190929/S/ABP SEGCA MX: 2019-09-29	Document + PmtRtr ++ TxInf +++ OrgnlIntrBkSttlmDt
			/S/4!a2!a2!c[3!c]	MA	Sender Id: BIC of Sender of the original payment (Buna participant).	MT: /TEXT/103/190929/S/ABP SEGCA MX: ABPSEGCA	Document + PmtRtr ++ TxInf +++ InstdAgt ++++ FinInstnld +++++ BICFI Document + PmtRtr ++ TxInf +++ RtrRsnInf[2] ++++ AddtlInf

AND

SWIFT Status	MT Field	MT Field Name	MT Format	Buna Status	Comment	Example	Xpath in head.001 and pacs.004
			/N/4!a2!a2!c[3!c]	MA	Sender Id: BIC or Pseudo-BIC of Sender of the original payment (Buna participant).	MT: /TEXT/103/190929/ N/ABP NEGCA MX: ABPNEGCA	Document + PmtRtr ++ TxInf +++ InstdAgt ++++ FinInstnId +++++ ClrSysMmbld ++++++ Mmbld AND Document + PmtRtr ++ TxInf +++ RtrRsnInf[2] ++++ AddtlInf
--	--	--	--	M	SNDR keyword	MX: SNDR	Document + PmtRtr ++ TxInf +++ RtrRsnInf[2] ++++ Rsn +++++ Prtry
--	--	--	--	M	Time of message creaion	2019-09-29T17:10:28Z	AppHdr + CreDt
--	--	--	--	M	Time of message creaion	2019-09-29T17:10:28Z	Document + PmtRtr ++ GrpHdr +++ CreDtTm

SWIFT Status	MT Field	MT Field Name	MT Format	Buna Status	Comment	Example	Xpath in head.001 and pacs.004
--	--	--	--	M	Fixed value	false	Document + PmtRtr ++ GrpHdr +++ BtchBookg
--	--	--	--	M	Fixed value	1	Document + PmtRtr ++ GrpHdr +++ NbOfTxS
--	--	--	--	M	Fixed value	CLRG	Document + PmtRtr ++ GrpHdr +++ SttlmInf ++++ SttlmMtd

Additional comments

Field :20: contains Transaction Reference Number. This field, in conjunction with Participant's BIC and Value Date of transfer composes a unique key of transfer (refer to item [1.10]).

Field :21: contains a reference to related message or code NONREF.

Field :32A: contains Value Date, Currency Code and Amount.

Fields :52a: contains BIC of participant which account to be debited at Buna.

Fields :58a: contains BIC of participant which account to be credited at Buna.

Fields :52a: and :58a: may contain either "A" or "D" letter to substitute the letter "a" after a field number.

- Option "A" is used when an institution specified in the field is represented as BIC registered in SWIFT;
- Option "D" is used otherwise.

Field :72: contains Sender to Receiver information.

The following codes can be used in this field:

1. /RETN/means a return and is followed by the identification of the field causing the return. Return is sent after crediting beneficiary customer and sending ACCC status to gpi Tracking by gpi participant ;

2. /REJT/ means a reject and is followed by the identification of the field causing the reject. Reject is sent before crediting beneficiary customer and sending ACCC status to gpi Tracking by gpi participant.

MX participant must specify /REJT/ or /RETN/ at the beginning of /Document/PmtRtr/TxInf/RtrRsnInf[1]/AddtlInf[1] tag followed by '00'.

Example 1

MX tags:

/Document/PmtRtr/TxInf/RtrRsnInf/Rsn/Prtry contains AC04

/Document/PmtRtr/TxInf/RtrRsnInf[1]/AddtlInf[1] contains 'REJT/59.

/Document/PmtRtr/TxInf/RtrRsnInf[1]/AddtlInf[2] contains 'REJT/59/Any text'.

MT field 72 (first two lines):

:72:/REJT/59
/AC04/Any text

Example 2

MX tags:

2.3.2 Usage case and examples

Buna Participant B is debited in Buna; Buna Participant A is credited in Buna.

The following combinations of sending and receiving parties are allowed:

Case 1

/Document/PmtRtr/TxInf/RtrRsnInf/Rsn/Prtry contains 'AC04'.

/Document/PmtRtr/TxInf/RtrRsnInf[1]/AddtlInf[1] contains 'REJT/00'.

/Document/PmtRtr/TxInf/RtrRsnInf[1]/AddtlInf[2] contains 'Account is closed'.

MT field 72 (first two lines):

:72:/REJT/00
/AC04/Account is closed

Example 3

MX tags:

/Document/PmtRtr/TxInf/RtrRsnInf/Rsn/Prtry contains 'AC04'.

/Document/PmtRtr/TxInf/RtrRsnInf[1]/AddtlInf[1] contains 'RETN/00'.

/Document/PmtRtr/TxInf/RtrRsnInf[1]/AddtlInf[2] is not in the message.

MT field 72 (first two lines):

:72:/RETN/00
/AC04/

Payment from Buna Participant B to Buna Participant A.

Table 12. Return Transfer: SCYN-SIRT-UNIF.

Leg 1		Sending message		Receiving message		Leg 2
MT202 field	Content	pac.004 tag	pac.004 tag	Content	MT202 field	
52a	Buna Participant B	Debtor	Debtor	Buna Participant B	52a	
52a	Buna Participant B	Instructing Agent	Instructing Agent	Buna Participant B	52a	
Sender	Buna Participant B	From	From	Buna	Sender	
Receiver	Buna	To	To	Buna Participant A	Receiver	
--	Buna Participant A	Instructed Agent	Instructed Agent	Buna Participant A	--	
58a	Buna Participant A	Creditor	Creditor	Buna Participant A	58a	

Example of Case 1

Leg 1

MT202: Return transfer

```
{1:F01BBPSBHBMA901}{2:I202BUNNAEAXXXN}{3:{113:0020}{108:BHBM23423}{111:001}{121:eda44485-9f17-451c-afc0-4456d7b7e6da}}{4:
:20:BHBM23423
:21:ARK0818
:32A:190929AED888,00
:52A:BBPSBHBMA901
:58A:ABPSEGCA
:72:/RETN/59
/AC04/Closed account number 4234
/MREF/AD0559181212007
/TEXT/103/190929/S/ABPSEGCA
-}
```

MX equivalent

```
<?xml version="1.0" encoding="UTF-8"?>
<!-- Application header -->
<AppHdr xmlns="urn:iso:std:iso:20022:tech:xsd:head.001.001.01">
<!-- Message Sender -->
  <Fr>
    <FIld>
      <FinInstnId>
        <BICFI>BBPSBHBM</BICFI>
      </FinInstnId>
      <BrnchId>
        <Id>BBPSBHBM901</Id>
      </BrnchId>
    </FIld>
  </Fr>
<!-- Message Receiver -->
  <To>
    <FIld>
      <FinInstnId>
        <BICFI>BUNNAEAA</BICFI>
      </FinInstnId>
    </FIld>
  </To>
<!-- Message Reference -->
  <BizMsgIdr>BHBM23423</BizMsgIdr>
<!-- Message Type -->
  <MsgDefIdr>pacs.004.001.09</MsgDefIdr>
<!-- Message Creation Date/Time-->
  <CreDt>2019-09-29T12:49:11Z</CreDt>
<!-- Priority -->
  <Prty>0020</Prty>
</AppHdr>
<!-- Document -->
<Document xmlns="urn:iso:std:iso:20022:tech:xsd:pacs.004.001.09">
  <PmtRtr>
    <GrpHdr>
```

```
<!-- Message reference -->
  <MsgId>BHBM23423</MsgId>
<!-- Message creation date time -->
  <CreDtTm>2019-09-29T12:49:11+04:00</CreDtTm>
<!-- Fixed value <<false>> for MT202 equivalent -->
  <BtchBookg>false</BtchBookg>
<!-- Fixed value <<1>> for MT202 equivalent -->
  <NbOfTxs>1</NbOfTxs>
<!-- In this message version: Fixed value CLRG -->
  <SttlmInf>
    <SttlmMtd>CLRG</SttlmMtd>
  </SttlmInf>
</GrpHdr>
<OrgnlGrplnf>
<!-- Original message reference -->
  <OrgnlMsgId>AD0559181212007</OrgnlMsgId>
<!-- Original message type -->
  <OrgnlMsgNmId>pacs.008.001.09</OrgnlMsgNmId>
</OrgnlGrplnf>
<TxInf>
<!-- Return Id. Fill with the same value as MsgId -->
  <RtrId>BHBM23423</RtrId>
<!-- Original UETR -->
  <OrgnlUETR>eda44485-9f17-451c-afc0-4456d7b7e6da</OrgnlUETR>
<!-- Original settlement date. As present in pacs.008 -->
  <OrgnlIntrBkSttlmDt>2019-09-29</OrgnlIntrBkSttlmDt>
<!-- Returned amount and currency by pacs.004. Amount must not be greater than original settlement amount. Currency must be identical. -->
  <RtrdIntrBkSttlmAmt Ccy="AED">888.00</RtrdIntrBkSttlmAmt>
<!-- Settlement date of return payment. -->
  <IntrBkSttlmDt>2019-09-29</IntrBkSttlmDt>
<!-- Instructing agent. Participant who's sending payment to the system. BICFI for swift-registered BICs.
ClrSysMmbld/Mmbld – for pseudo-BIC codes (non-swift registered) -->
  <InstgAgt>
    <FinInstnId>
      <BICFI>BBPSBHBM</BICFI>
    </FinInstnId>
    <BrnchId>
```

```
        <Id>BBPSBHBM901</Id>
      </BrnchId>
    </InstgAgt>
```

<!-- Instructed agent. Participant who's receiving payment (instructing Agent of the payment to be returned). BICFI for swift-registered BICs. CtrSysMmbld/Mmbld – for pseudo-BIC codes (non-swift registered)-->

```
    <InstdAgt>
      <FinInstnId>
        <BICFI>ABPSEGCA</BICFI>
      </FinInstnId>
    </InstdAgt>
```

<!-- Return chain -->

```
    <RtrChain>
      <Dbtr>
        <Agt>
          <FinInstnId>
            <BICFI>BBPSBHBM</BICFI>
          </FinInstnId>
          <BrnchId>
            <Id>BBPSBHBM901</Id>
          </BrnchId>
        </Agt>
      </Dbtr>
      <Cdtr>
        <Agt>
          <FinInstnId>
            <BICFI>ABPSEGCA</BICFI>
          </FinInstnId>
        </Agt>
      </Cdtr>
    </RtrChain>
```

```
    <RtrRsnInf>
```

<!-- Return reason code. As per dictionary defined in central system -->

```
      <Rsn>
        <Prtry>AC04</Prtry>
```

```
</Rsn>
<!-- Additional information about return reason -->
  <AddtlInf>RETN/59</AddtlInf>
  <AddtlInf>Closed account number 4234</AddtlInf>
</RtrRsnInf>
<RtrRsnInf>
<!--SNDR - Sender of the original message. As per dictionary defined in central system -->
  <Rsn>
    <Prtry>SNDR</Prtry>
  </Rsn>
<!-- Sender of the original message -->
  <AddtlInf>ABPSEGCA</AddtlInf>
</RtrRsnInf>
</TxInf>
</PmtRtr>
</Document>
```

Leg 2

MT202: Return transfer

```
{1:F01ABPSEGCAXXX}{2:O202BUNNAEAXXXXN}{3:{113:0020}{108:1909290001000950}{121:eda44485-9f17-451c-afc0-4456d7b7e6da}}{4:
:20:BHBM23423
:21:ARK0818
:32A:190929AED888,00
:52A:BBPSBHBM
:58A:ABPSEGCA
:72:/RETN/59
/AC04/Closed account number 4234
/MREF/AD0559181212007
/TEXT/103/190929/S/ABPSEGCA
-}
```

MX equivalent

```
<?xml version="1.0" encoding="UTF-8"?>
```

```
<!-- Application header -->
```

```
<AppHdr xmlns="urn:iso:std:iso:20022:tech:xsd:head.001.001.01">
```

```
<!-- Message Sender: -->
```

```
<Fr>
```

```
<FIld>
```

```
<FinInstnId>
```

```
<BICFI>BUNNAEAA</BICFI>
```

```
</FinInstnId>
```

```
</FIld>
```

```
</Fr>
```

```
<!-- Message Receiver -->
```

```
<To>
```

```
<FIld>
```

```
<FinInstnId>
```

```
<BICFI>ABPSEGCA</BICFI>
```

```
</FinInstnId>
```

```
</FIld>
```

```
</To>
```

```
<!-- Message Reference -->
```

```
<BizMsgIdr>190929BUNNAEAAXXX0001000950</BizMsgIdr>
```

```
<!-- Message Type -->
```

```
<MsgDefIdr>pacs.004.001.09</MsgDefIdr>
```

```
<!-- Message Creation Date/Time-->
```

```
<CreDt>2019-09-29T12:49:12Z</CreDt>
```

```
<!-- Priority -->
```

```
<Prty>0020</Prty>
```

```
<Rltd>
```

```
<!-- Message Sender -->
```

```
<Fr>
```

```
<FIld>
```

```
<FinInstnId>
```

```
<BICFI>BBPSBHBM</BICFI>
```

```
</FinInstnId>
```

```
<BrnchId>
```

```
<Id>BBPSBHBM901</Id>
```

```
</BrnchId>
```

```
</FIld>
```

```
</Fr>
<!-- Message Receiver -->
  <To>
    <FIld>
      <FinInstnId>
        <BICFI>ABPSEGCA</BICFI>
      </FinInstnId>
    </FIld>
  </To>
<!-- Message Reference -->
  <BizMsgId>BHBM23423</BizMsgId>
<!-- Message Type -->
  <MsgDefId>pacs.004.001.09</MsgDefId>
<!-- Message Creation Date/Time-->
  <CreDt>2019-09-29T12:49:11Z</CreDt>
<!-- Priority -->
  <Prty>0020</Prty>
  </Rltd>
</AppHdr>
<!-- Document -->
<Document xmlns="urn:iso:std:iso:20022:tech:xsd:pacs.004.001.09">
  <PmtRtr>
    <GrpHdr>
      <!-- Message reference -->
        <MsgId>BHBM23423</MsgId>
      <!-- Message creation date time -->
        <CreDtTm>2019-09-29T12:49:11+04:00</CreDtTm>
      <!-- Fixed value <<false>> for MT202 equivalent -->
        <BtchBookg>false</BtchBookg>
      <!-- Fixed value <<1>> for MT202 equivalent -->
        <NbOfTx>1</NbOfTx>
      <!-- In this message version: Fixed value CLRG -->
        <StlmInf>
          <StlmMtd>CLRG</StlmMtd>
        </StlmInf>
    </GrpHdr>
```

```

<OrgnlGrpInf>
<!-- Original message reference -->
  <OrgnlMsgId>AD0559181212007</OrgnlMsgId>
<!-- Original message type -->
  <OrgnlMsgNmId>pacs.008.001.09</OrgnlMsgNmId>
</OrgnlGrpInf>
<TxInf>
<!-- Return Id. Fill with the same value as MsgId -->
  <RtrId>BHBM23423</RtrId>
<!-- Original UETR -->
  <OrgnlUETR>eda44485-9f17-451c-afc0-4456d7b7e6da</OrgnlUETR>
<!-- Original settlement date. As present in pacs.008 -->
  <OrgnlIntrBkSttlmDt>2019-09-29</OrgnlIntrBkSttlmDt>
<!-- Returned amount and currency by pacs.004. Amount must not be greater than original settlement amount. Currency must be identical. -->
  <RtrdIntrBkSttlmAmt Ccy="AED">888.00</RtrdIntrBkSttlmAmt>
<!-- Settlement date of return payment. -->
  <IntrBkSttlmDt>2019-09-29</IntrBkSttlmDt>
<!--Instructing agent. Participant who's sending payment to the system. BICFI for swift-registered BICs.
ClrSysMmbld/Mmbld – for pseudo-BIC codes (non-swift registered) -->
  <InstgAgt>
    <FinInstnId>
      <BICFI>BBPSBHBM</BICFI>
    </FinInstnId>
    <BrnchId>
      <Id>BBPSBHBM901</Id>
    </BrnchId>
  </InstgAgt>
<!--Instructed agent. Participant who's receiving payment (instructing Agent of the payment to be returned). BICFI for swift-registered BICs.
ClrSysMmbld/Mmbld – for pseudo-BIC codes (non-swift registered)-->
  <InstdAgt>
    <FinInstnId>
      <BICFI>ABPSEGCA</BICFI>
    </FinInstnId>
  </InstdAgt>
<!-- Return chain -->
  <RtrChain>
    <Dbtr>

```



```
<Agt>
  <FinInstnId>
    <BICFI>BBPSBIBM</BICFI>
  </FinInstnId>
  <BrnchId>
    <Id>BBPSBIBM901</Id>
  </BrnchId>
</Agt>
</Dbtr>
<Cdtr>
  <Agt>
    <FinInstnId>
      <BICFI>ABPSEGCA</BICFI>
    </FinInstnId>
  </Agt>
</Cdtr>
</RtrChain>
<RtrRsnInf>
<!-- Return reason code. As per dictionary defined in central system -->
  <Rsn>
    <Prtry>AC04</Prtry>
  </Rsn>
<!-- Additional information about return reason -->
  <AddtlInf>/RETN/59/Closed account number 4234</AddtlInf>
</RtrRsnInf>
</TxInf>
</PmtRtr>
</Document>
```

2.4 MT204 ≡ PACS.010: FINANCIAL MARKETS DIRECT DEBIT MESSAGE

2.4.1 Format of MT204 and mapping to pacs.010.

Please refer to [1.11] for the description of the fields of message header which are not described in the table below.

Format of MT204 ≡ pacs.010: Financial Markets Direct Debit Message

SWIFT Status	MT Field	MT Field Name	MT Format	Buna Status	Comment	Example	XPath in head.001 and pacs.010
M	Block 2	Message type	3!n	M	MT: SWIFT message type. MX: MX message type	MT: 204 MX: pacs.010.001.03	AppHdr + MsgDefldr Document AND
O	113 in Block 3 of MT message	Priority	4!n	M	Settlement priority	0020	Document + FIDrctDbt ++ CdtInstr +++ DrctDbtTxInf ++++ PmtTplnf +++++ SvcLvl ++++++ Prtry
--	--	--	--	O	MX: field is mandatory. UETR will not be used in MT message. Outgoing pacs.009 to FHI will have the same UETR.	eda44485-9f17-451c-afc0-4456d7b7e6da	Document + FIDrctDbt ++ CdtInstr +++ DrctDbtTxInf ++++ Pmtld +++++ UETR
M	20	Transaction Reference Number	16x	M	Unique reference assigned by the system	R2312312321	Document + FIDrctDbt ++ CdtInstr +++ Cdtld
M	19	Sum of Amounts	17d	M	In current version: amount equals to the amount in field 33B	MT: 20000 , MX: 20000 .	Document + FIDrctDbt ++ GrpHdr +++ CtrlSum



SWIFT Status	MT Field	MT Field Name	MT Format	Buna Status	Comment	Example	XPath in head.001 and pacs.010
M	30	Value Date	6!n	M	Settlement date of transfer	MT: 190929 MX: 2019-09-29	Document + FIDrctDbt ++ CdtInstr +++ IntrBkSttlmDt
O	57A	Account With Institution	4!a2!a2!c[3!c]	MA	BIC of FHI	CBAUAEAA	Document + FIDrctDbt ++ CdtInstr +++ CdtrAgt ++++ FinInstnId +++++ BICFI
	57D		4!a2!a2!c[3!c]	MA	Pseudo-BIC of FHI	CBAUAEAA	Document + FIDrctDbt ++ CdtInstr +++ CdtrAgt ++++ FinInstnId +++++ ClrSysMmbld ++++++ Mmbld
O	58a	Beneficiary Institution	/34x	O	Account of correspondent bank at FHI	MT: /00038000510900000009 MX: 00038000510900000009	Document + FIDrctDbt ++ CdtInstr +++ CdtrAcct ++++ Id +++++ Othr ++++++ Id
	58A		4!a2!a2!c[3!c]	MA	BIC of correspondent bank to be credited at FHI	ABPSEGCA	Document + FIDrctDbt ++ CdtInstr +++ Cdtr ++++ FinInstnId +++++ BICFI

SWIFT Status	MT Field	MT Field Name	MT Format	Buna Status	Comment	Example	XPath in head.001 and pacs.010
	58D		4!a2!a2!c[3!c]	MA	Pseudo-BIC of correspondent bank to be credited at FHI	AAAAAEAD	Document + FIDrctDbt ++ CdtInstr +++ Cdtr ++++ FinInstnId +++++ ClrSysMmbld ++++++ Mmbld
M	20	Transaction Reference Number	16x	M	Unique reference assigned by the system	R2312312321	Document + FIDrctDbt ++ CdtInstr +++ DrctDbtTxInf ++++ PmtId +++++ InstrId
O	21	Related Reference	16x	M	Fixed value: MT: NONREF MX: NOTPROVIDED	MT NONREF MX: NOTPROVIDED	Document + FIDrctDbt ++ CdtInstr +++ DrctDbtTxInf ++++ PmtId +++++ EndToEndId
M	32B	Transaction Amount	3!a15d	M	Amount of defunding	MT: AED2000, MX: Ccy="AED" 20000.	Document + FIDrctDbt ++ CdtInstr +++ DrctDbtTxInf ++++ IntrBkSttlmAmt
	53B	Debit Institution	4!a2!a2!c[3!c]	MA	BIC of debited BP	ABPSEGCA	Document + FIDrctDbt ++ CdtInstr +++ DrctDbtTxInf ++++ Dbtr +++++ FinInstnId ++++++ BICFI

SWIFT Status	MT Field	MT Field Name	MT Format	Buna Status	Comment	Example	XPath in head.001 and pacs.010
	53D		4!a2!a2!c[3!c]	MA	Pseudo-BIC of debited BP	AAAAOMRU	Document + FIDrctDbt ++ CdtInstr +++ DrctDbtTxInf ++++ Dbtr +++++ FinInstnId ++++++ ClrSysMmbld +++++++ Mmbld
O	72	Sender to Receiver Information	/8c/3!c	M	Transaction type code of /TTC/	MT: /TTC/095 MX: 095	Document + FIDrctDbt ++ CdtInstr +++ DrctDbtTxInf ++++ InstrForDbtrAgt AND Document + FIDrctDbt ++ CdtInstr +++ DrctDbtTxInf ++++ Purp +++++ Prtry
	Sender in Header			MA	Buna system (BIC)	MX: BUNNAEAA	Document + FIDrctDbt ++ CdtInstr +++ InstgAgt ++++ FinInstnId +++++ BICFI



SWIFT Status	MT Field	MT Field Name	MT Format	Buna Status	Comment	Example	XPath in head.001 and pacs.010
				MA	Buna system (Pseudo-BIC)	MX: BUNNAEAA	Document + FIDrctDbt ++ CdtInstr +++ InstgAgt ++++ FinInstnId +++++ ClrSysMmbld ++++++ Mmbld
				MA	Debiting party: BIC of Buna Participant	ABPSEGCA	Document + FIDrctDbt ++ CdtInstr +++ InstdAgt ++++ FinInstnId +++++ BICFI
				MA	Debiting party: Pseudo-BIC of Buna Participant	ABPNEGCA	Document + FIDrctDbt ++ CdtInstr +++ InstdAgt ++++ FinInstnId +++++ ClrSysMmbld ++++++ Mmbld
--	--	--	--	M	The same as message Id in current message	R2312312321	Document + FIDrctDbt ++ CdtInstr +++ DrctDbtTxInf ++++ PmtId +++++ TxId
--	--	--	--	M	Time of message creation	2019-09-29T17:10:28Z	AppHdr + CreDt

SWIFT Status	MT Field	MT Field Name	MT Format	Buna Status	Comment	Example	XPath in head.001 and pacs.010
--	--	--	--	M	Time of message creation	2019-09-29T17:10:28+04:00	Document + FIDrctDbt ++ GrpHdr +++ CreDtTm
--	--	--	--	M	Fixed value	1	Document + FIDrctDbt ++ GrpHdr +++ NbOfTxS
--	--	--	--	M	Fixed value	RTGS	Document + FIDrctDbt ++ CdtInstr +++ DrctDbtTxInf ++++ PmtTplnf +++++ ClrChanl
--	--	--	--	M	Fixed value	SCYN-SIDT-DFND	Document + FIDrctDbt ++ CdtInstr +++ DrctDbtTxInf ++++ PmtTplnf +++++ LclInstrm ++++++ Prtry

Additional comments

- Local instrument for:
 - End-of-day defunding: SCYN-SIDT-DFND — Single-CurrenCY Normal Single Interbank Debit Transfer DeFuNDing.

2.4.2 Defunding: Usage case and examples

Case 1

End-of-day defunding of Buna Participant A. The funds will be returned to Correspondent Bank U at FHI.

Buna Participant A is debited in Buna; Buna account is credited in Buna.

Buna account linket to FHI is debited at FHI; Correspondent Bank U account is credited at FHI.

Table 13. End-of-day Defunding : SCYN-SIDT-DFND

Leg 1		
Message from Buna received by BP-A		
MT204 field	Content	pacs.010 tag
53a	Buna Participant A	Debtor
--	Buna	Instructing Agent
Sender	Buna	From
Receiver	Buna Participant A	To
--	Buna Participant A	Instructed Agent
57a	FHI	Creditor Agent
58a	Correspondent Bank U	Creditor

Leg 2		
Message from Buna received by FHI or FHI Portal		
pacs.009 tag	Content	MT202 field
Debtor	Buna Participant A	52a
Instructing Agent	Buna	--
From	Buna	Sender
To	FHI	Receiver
Instructed Agent	Correspondent Bank U	--
Creditor Agent	Correspondent Bank U	57a
Creditor	Buna Participant A	58a

Case 2

End-of-day defunding of Buna Participant A. The funds will be returned to Buna Participant A at FHI.

Buna Participant A is debited in Buna; Buna account is credited in Buna.

Buna account linket to FHI is debited at FHI; Buna Participant A account is credited at FHI.



Table 14. End-of-day Defunding: SCYN-SIDT-DFND

Leg 1		
Message from Buna received by BP-A		
MT204 field	Content	pac.010 tag
53a	Buna Participant A	Debtor
--	Buna	Instructing Agent
Sender	Buna	From
Receiver	Buna Participant A	To
--	Buna Participant A	Instructed Agent
57a	FHI	Creditor Agent
58a	Buna Participant A	Creditor

Leg 2		
Message from Buna received by FHI or FHI Portal		
pac.009 tag	Content	MT202 field
Debtor	Buna Participant A	52a
Instructing Agent	Buna	--
From	Buna	Sender
To	FHI	Receiver
Instructed Agent	Buna Participant A	--
		--
Creditor	Buna Participant A	58a

Example of Case 1

Leg 1

MT204: Buna Notification on defunding

```
{1:F01ABPSEGCAXXX}{2:O204BUNNAEAXXXN}{3:{113:0005}{108:1909290001000951}}{4:
:20:BUNADEF13534
:19:20000,
:30:190929
:57A:CBAUAEAA
:58A:/00038000510900000009
UCSBAEAD
:20:BUNADEF13534
:21:NONREF
:32B:AED20000,
:53B:ABPSEGCA
:72:/TTC/095
-}
```

MX equivalent

```
<?xml version="1.0" encoding="UTF-8"?>
<!-- Application header -->
<AppHdr xmlns="urn:iso:std:iso:20022:tech:xsd:head.001.001.01">
<!-- Message Sender -->
  <Fr>
    <FIld>
      <FinInstnId>
        <BICFI>BUNNAEAA</BICFI>
      </FinInstnId>
    </FIld>
  </Fr>
<!-- Message Receiver -->
  <To>
    <FIld>
      <FinInstnId>
        <BICFI>ABPSEGCA</BICFI>
    </FIld>
  </To>
</AppHdr>
```

```
</FinInstnId>
  </FIld>
</To>
<!-- Message Reference -->
  <BizMsgldr>190929BUNNAEAAXXX0001000951</BizMsgldr>
<!-- Message Type -->
  <MsgDefldr>pacs.010.001.03</MsgDefldr>
<!-- Message Creation Date/Time-->
  <CreDt>2019-09-29T20:01:30Z</CreDt>
</AppHdr>

<!-- Document -->
<Document xmlns="urn:iso:std:iso:20022:tech:xsd:pacs.010.001.03">
  <FIDrctDbt>
    <GrpHdr>
      <!-- Unique message reference as generated by sending party.-->
        <MsgId>BUNADEF13534</MsgId>
      <!-- Document creation date-time -->
        <CreDtTm>2019-09-29T20:01:30+04:00</CreDtTm>
      <!-- Number of payment instructions. Fixed value = 1 for MT204 equivalent -->
        <NbOfTxs>1</NbOfTxs>
      <!-- Sum without currency code -->
        <CtrlSum>20000.</CtrlSum>
    </GrpHdr>
    <CdtInstr>
      <CdtId>BUNADEF13534</CdtId>
      <!-- Requested payment settlement date -->
        <IntrBkSttlmDt>2019-09-29</IntrBkSttlmDt>
      <!-- Instructing agent. Buna System in this message version.-->
        <InstgAgt>
          <FinInstnId>
            <BICFI>BUNNAEAA</BICFI>
          </FinInstnId>
        </InstgAgt>
      <!-- Instructed agent. Participant who is receiving the payment message and debited after defunding. -->
        <InstdAgt>
          <FinInstnId>
```

```
        <BICFI>ABPSEGCA</BICFI>
      </FinInstnId>
    </InstdAgt>
```

<!-- FHI which holds account of Creditor -->

```
    <CdtrAgt>
      <FinInstnId>
        <BICFI>CBAUAEEA</BICFI>
      </FinInstnId>
    </CdtrAgt>
```

<!-- Financial Institution who is Creditor (Correspondent Bank) -->

```
    <Cdtr>
      <FinInstnId>
        <BICFI>UCSBAEAD</BICFI>
      </FinInstnId>
    </Cdtr>
```

<!-- Creditor account -->

```
    <CdtrAcct>
      <Id>
        <Othr>
          <Id>00038000510900000009</Id>
        </Othr>
      </Id>
    </CdtrAcct>

    <DrctDbtTxInf>
      <PmtId>
```

<!-- Equivalent of Field 20 in Sequence A -->

```
    <InstrId>BUNADEF13534</InstrId>
```

<!--End-to-End reference. Equivalent of Field 21 in Sequence A. Not verified for uniqueness. Equivalent of field :21: NOTPROVIDED in case NONREF-->

```
    <EndToEndId>NOTPROVIDED</EndToEndId>
```

<!-- Unique transaction reference as generated by sending party. Cncantention of Msgld and Instrld via two slashes -->

```
    <TxId>BUNADEF13534//BUNADEF13534</TxId>
```

<!--UETR -->

```
    <UETR>f6b26fbd-bff8-4bb4-9648-f6aa67560a8a</UETR>
```

```

        </PmtId>
        <PmtTpInf>
<!--Fixed value RTGS for the System payments -->
        <ClrChanl>RTGS</ClrChanl>
        <SvcLvl><Prtry>0010</Prtry></SvcLvl>
<!--Local instrument code identifying business process of the payment -->
        <LclInstrm>
            <Prtry>SCYN-SIDT-DFND</Prtry>
        </LclInstrm>
    </PmtTpInf>
<!--Payment amount and currency code -->
    <IntrBkSttlmAmt Ccy="AED">20000.</IntrBkSttlmAmt>
<!--Debtor. Participant to be debited in the System. BICFI for SWIFT-registered participants. ClrSysMmbld/Mmbld – for pseudo-BIC codes (non-swift registered)-->
    <Dbtr>
        <FinInstnId>
            <BICFI>ABPSEGCA</BICFI>
        </FinInstnId>
    </Dbtr>
<!--Additional information about payment -->
    <InstrForDbtrAgt>TTC/095</InstrForDbtrAgt>
<!-- Transaction type code as per defined in system dictionary of TTCs. -->
    <Purp>
        <Prtry>095</Prtry>
    </Purp>
</DrctDbtTxInf>
</CdtInstr>
</FIDrctDbt>
</Document>
    
```

Leg 2

pac.009: Defunding transfer from Buna to FHI Portal or FHI

```

<?xml version="1.0" encoding="UTF-8"?>
<!-- Application header -->
<AppHdr xmlns="urn:iso:std:iso:20022:tech:xsd:head.001.001.01">
    
```

<!-- Message Sender -->

```
<Fr>
  <FIld>
    <FinInstnId>
      <BICFI>BUNNAEAA</BICFI>
    </FinInstnId>
  </FIld>
</Fr>
```

<!-- Message Receiver -->

```
<To>
  <FIld>
    <FinInstnId>
      <BICFI>CBAUAEEA</BICFI>
    </FinInstnId>
  </FIld>
</To>
```

<!-- Message Reference -->

```
<BizMsgldr>BUNA202003</BizMsgldr>
```

<!-- Message Type -->

```
<MsgDefldr>pacs.009.001.08</MsgDefldr>
```

<!-- Message Creation Date/Time-->

```
<CreDt>2019-09-29T20:01:35Z</CreDt>
</AppHdr>
```

<!-- Document -->

```
<Document xmlns="urn:iso:std:iso:20022:tech:xsd:pacs.009.001.08">
  <FICdtTrf>
    <GrpHdr>
```

<!--Unique message reference as generated by sending party.-->

```
<MsgId>BUNA202003</MsgId>
```

<!--Document creation date-time -->

```
<CreDtTm>2019-09-29T20:01:35+04:00</CreDtTm>
```

<!-- Fixed value <<false>> for MT202 equivalent -->

```
<BtchBookg>false</BtchBookg>
```

<!--Number of payment instructions. Fixed value = 1 -->

```
<NbOfTxs>1</NbOfTxs>
```

<!--Fixed value CLRG -->

```
<StlmInf>
  <StlmMtd>CLRG</StlmMtd>
</StlmInf>
<PmtTpInf>
```

```
<!--Fixed value RTGS for Buna payments -->
```

```
<ClrChanl>RTGS</ClrChanl>
```

```
<!-- Settlement priority -->
```

```
<SvcLvl><Prtry>0005</Prtry></SvcLvl>
```

```
<!--Local instrument code identifying business process of the payment. Fixed value -->
```

```
<LclInstrm>
  <Prtry>SCYN-SIDT-DFND</Prtry>
</LclInstrm>
```

```
</PmtTpInf>
```

```
<!--Instructing agent. Participant whose sending payment to the system and debited in Buna. BICFI for swift-registered BICs. ClrSysMmbld/Mmbld for pseudo-BIC codes (non-swift registered)-->
```

```
<InstgAgt>
  <FinInstnId>
    <BICFI>BUNNAEAA</BICFI>
  </FinInstnId>
</InstgAgt>
```

```
<!--Instructed agent. Participant whose receiving payment and credited in Buna. BICFI for swift-registered BICs. ClrSysMmbld/Mmbld for pseudo-BIC codes (non-swift registered)-->
```

```
<InstdAgt>
  <FinInstnId>
    <BICFI>UCSBAEAD</BICFI>
  </FinInstnId>
</InstdAgt>
```

```
</GrpHdr>
<CdtTrfTxInf>
  <PmtId>
```

```
<!--End-to-End reference. Not verified for uniqueness. Equivalent of field :21: NOTPROVIDED in case NONREF-->
```

```
<EndToEndId>BUNADEF13534</EndToEndId>
```

```
<!-- Unique transaction reference as generated by sending party. The same as MsgId in this message version -->
```

```
<TxId>BUNA202003</TxId>
```

```
<!--UETR -->
```

```
<UETR>eda44485-9f17-451c-afc0-4456d7b7e6da</UETR>
</PmtId>
```

```
<!--Payment amount and currency code -->
```

```
<IntrBkSttlmAmt Ccy="AED">222000.50</IntrBkSttlmAmt>
```

```
<!--Requested payment settlement date -->
```

```
<IntrBkSttlmDt>2019-09-29</IntrBkSttlmDt>
```

```
<!--Debtor. Participant in Field 52a of MT202. BICFI for SWIFT-registered participants. ClrSysMmbld/Mmbld for pseudo-BIC codes (non-swift registered)-->
```

```
<Dbtr>  
  <FinInstnId>  
    <BICFI>ABPSEGCA</BICFI>  
  </FinInstnId>  
</Dbtr>
```

```
<!--Creditor Agent. Participant in Field 57a of MT202. BICFI for SWIFT-registered participants. ClrSysMmbld/Mmbld for pseudo-BIC codes (non-swift registered). -->
```

```
<CdtrAgt>  
  <FinInstnId>  
    <BICFI>UCSBAEAD</BICFI>  
  </FinInstnId>  
</CdtrAgt>
```

```
<!-- Creditor. Participant in Field 58a of MT202. BICFI for SWIFT-registered participants. ClrSysMmbld/Mmbld for pseudo-BIC codes (non-swift registered). -->
```

```
<Cdtr>  
  <FinInstnId>  
    <BICFI>ABPSEGCA</BICFI>  
  </FinInstnId>  
</Cdtr>
```

```
<!--Additional information about payment -->
```

```
<InstrForCdtrAgt>  
  <InstrInf>/TTC/095</InstrInf>  
</InstrForCdtrAgt>
```

```
<!--Transaction type code as per defined in system dictionary of TTCs. -->
```

```
<Purp>  
  <Prtry>095</Prtry>  
</Purp>  
</CdtTrfTxInf>  
</FICdtTrf>
```




</Document>

3 STATUS AND STATEMENT

3.1 MTN96/STAT ≡ PACS.002: PAYMENT STATUS MESSAGE

Pacs.002 is generated automatically in processing a transfer according to Buna regulations.

Pacs.002 can be translated to MTn96/STAT message.

Please refer to [1.11] for the description of the fields of message header which are not described in the table below.

Format of MTn96/STAT ≡ pacs.002: Payment status message.

Status	MT Field	MT Field Name	MT Format	Buna Status	Comment	Example	XPath in head.001 and pacs.002
M	Block 2	Message type	3!n	M	MT: SWIFT message type. MX: MX message type	MT: 196 or 296 MX: pacs.002.001.10	AppHdr + MsgDefldr Document AND
M	20	Transaction Reference Number	16x	M	Unique reference assigned by the system	6457RW	Document + FIToFIPmtStsRpt ++ GrpHdr +++ MsgId
M	21	Related Reference	16x	M	Reference of the transfer which status is reported	ABPS/2/1/2/1	Document + FIToFIPmtStsRpt ++ OrgnlGrplnfAndSts +++ OrgnlMsgId
M	76	Answers	4!a	M	Fixed value STAT for payment status message	MT: STAT/1909291300+0400	--

Sta- tus	MT Field	MT Field Name	MT Format	Buna Statu s	Comment	Example	XPath in head.001 and pacs.002
			4!c	M	Code of payment status	MT: RJCT/1909291300+0400	Document + FIToFIPmtStsRpt ++ OrgnlGrplnfAndSts +++ GrpSts AND Document + FIToFIPmtStsRpt ++ TxInfAndSts +++ TxSts
			[/6!n4!n1!x4!n]	O	Time of status message creation	MT: RJCT/1909291300+0400 MX: 2019-09-29T13:00:00+04:00	Document + FIToFIPmtStsRpt ++ GrpHdr +++ CreDtTm
O	77A	Narrative	35x	O	Code of error or warning	E435	Document + FIToFIPmtStsRpt ++ OrgnlGrplnfAndSts +++ StsRsnInf ++++ Rsn +++++ Prtry AND Document + FIToFIPmtStsRpt ++ TxInfAndSts +++ StsRsnInf ++++ Rsn +++++ Prtry

Sta-tus	MT Field	MT Field Name	MT Format	Buna Statu-s	Comment	Example	XPath in head.001 and pacs.002
			35x	O	Description of error or warning	Incorrect account	Document + FIToFIPmtStsRpt ++ OrgnlGrplnfAndSts +++ StsRsnInf ++++ AddtlInf AND Document + FIToFIPmtStsRpt ++ TxInfAndSts +++ StsRsnInf ++++ AddtlInf
			35x	C	Additional information related to an error or warning	234324235435	Document + FIToFIPmtStsRpt ++ OrgnlGrplnfAndSts +++ StsRsnInf ++++ AddtlInf AND Document + FIToFIPmtStsRpt ++ TxInfAndSts +++ StsRsnInf ++++ AddtlInf

Status	MT Field	MT Field Name	MT Format	Buna Status	Comment	Example	XPath in head.001 and pacs.002
O	11R	MT and Date of Original Message	3!n	O	Type of payment message which status is reported.	MT: 102 MX: pacs.008.001.08 MT: 103 MX: pacs.008.001.08 MT: 202 MX: pacs.009.001.08 MT: 202 MX: pacs.004.001.09	Document + FIToFIPmtStsRpt ++ OrgnlGrplnfAndSts +++ OrgnlMsgNmld
			6!n	O	Calendar date of original message	MT: 190929 MX: 2019-09-29	Document + FIToFIPmtStsRpt ++ OrgnlGrplnfAndSts +++ OrgnlCreDtTm
O	20	Copy of at least the mandatory fields of the Original Message	16x	M	Reference of the payment message which status is reported	MT: ABPS/2/1/2/1	Document + FIToFIPmtStsRpt ++ OrgnlGrplnfAndSts +++ OrgnlMsgld
	30		6!n	M	Value date of the payment message which status is reported	MT: 190929 MX: 2019-09-29	Document + FIToFIPmtStsRpt ++ TxInfAndSts +++ OrgnlTxRef ++++ IntrBkSttlmDt

Sta-tus	MT Field	MT Field Name	MT Format	Buna Statu-s	Comment	Example	XPath in head.001 and pacs.002
	--		4!c	M	SNDR keyword. Not present in MT	MX: SNDR	Document + FIToFIPmtStsRpt ++ OrgnlGrplnfAndSts +++ StsRsnInf ++++ Rsn +++++ Prtry
	82J		/ABIC/UKWN/ NAME/4!a2!a 2!c[3!c]	M	BIC or Pseudo-BIC of Sender of the original payment	MT: /ABIC/UKWN/NAME/ABPS EGCA MX: ABPSEGCA	Document + FIToFIPmtStsRpt ++ OrgnlGrplnfAndSts +++ StsRsnInf ++++ AddtlInf
	32B		3!c15d	O	Transfer amount.	MT: AED650,99 MX: Ccy="AED" 650.99	Document + FIToFIPmtStsRpt ++ TxInfAndSts +++ OrgnlTxRef ++++ IntrBkSttlmAmt
	26T		3!c	O	Transaction type code	001	Document + FIToFIPmtStsRpt ++ TxInfAndSts +++ OrgnlTxRef ++++ Purp +++++ Prtry

Additional comments

Field :20: is a Transaction Reference Number of MTn96 generated by Buna.

Field :21: specifies NONREF in case the status is received without request.

Field :76: specifies Type of Report and Status of related transfer:



Status code	Description
ACTC	Transfer is suspended for AML checks
RJCT	Rejected
PDNG	Pending
ACSC	Settlement Completed
ACCP	Future dated
CANC	Cancelled

Field :11R: specifies message type of related transfer and date when this message has been sent to Buna.

Copy of at least mandatory fields of the original message in the answer (if exists) includes the following fields: 20, 30, 82a, 32B and 26T.

Please note. SWIFT does not validate the relationship between the copied field(s) and the original message. Even if not defined for the referenced message, any valid field except 77F or 77T (Error code(s): T13) is accepted as the "Copy of fields".

Field :20: is a reference Number of the transfer.

Field :30: specifies the value date of transfer.

Field :82J: specifies the BIC/Pseudo-BIC of participant who issued the transfer.

Field :32B: (if present) specifies the transaction amount of the transfer.

Field :26T: (if present) specifies the transaction type code (purpose) of the transfer.

Example

MT196: Payment status message

```
{1:F01ABPSEGCAXXX}{2:O196BUNNAEAAXXXN}{3:{108:1909290001000952}}{4:  
:20:R1812095/196  
:21:ABPS/2/1/2/1  
:76:STAT
```



```
PDNG/1909291744+0400
:77A:EP183
Lack of funds
:20:ABPS/2/1/2/1
:30:190929
:82J:/ABIC/UKWN/NAME/ABPSEGCA
:32B:AED1000,
:26T:001
-}
```

pac.002: MX equivalent of MT196

```
<?xml version="1.0" encoding="UTF-8"?>
<!-- Application header -->
<AppHdr xmlns="urn:iso:std:iso:20022:tech:xsd:head.001.001.01">
<!-- Message Sender:-Buna-->
  <Fr>
    <FIld>
      <FinInstnId>
        <BICFI>BUNNAEAA</BICFI>
      </FinInstnId>
    </FIld>
  </Fr>
<!-- Message Receiver : BP-->
  <To>
    <FIld>
      <FinInstnId>
        <BICFI>ABPSEGCA</BICFI>
      </FinInstnId>
    </FIld>
  </To>
<!-- Message Reference -->
  <BizMsgldr>190929BUNNAEAAXXX0001000952</BizMsgldr>
<!-- Message Type -->
  <MsgDefldr>pac.002.001.10</MsgDefldr>
<!-- Message Creation Date/Time-->
  <CreDt>2019-09-29T09:03:01Z</CreDt>
```



```
<Rltd>
<!-- Message Sender:-BP-->
  <Fr>
    <FIld>
      <FinInstnId>
        <BICFI>ABPSEGCA</BICFI>
      </FinInstnId>
    </FIld>
  </Fr>
<!-- Message Receiver : Buna-->
  <To>
    <FIld>
      <FinInstnId>
        <BICFI>BUNNAEAA</BICFI>
      </FinInstnId>
    </FIld>
  </To>
<!-- Message Reference -->
  <BizMsgIdr>ABPS/2/1/2/1</BizMsgIdr>
<!-- Message Type -->
  <MsgDefldr>pacs.008.001.08</MsgDefldr>
<!-- Message Creation Date/Time-->
  <CreDt>2019-09-29T10:00:00Z</CreDt>
</Rltd>
</AppHdr>

<!-- Document -->
<Document xmlns="urn:iso:std:iso:20022:tech:xsd:pacs.002.001.10">
  <FIToFIPmtStsRpt>
    <GrpHdr>
      <!-- Unique message identifier -->
        <MsgId>R1812095/196</MsgId>
      <!-- Message creation date time -->
        <CreDtTm>2019-09-29T17:44:00+04:00</CreDtTm>
    </GrpHdr>
```

```
<OrgnlGrpInfAndSts>
```

```
<!-- Original message identifier -->
```

```
<OrgnlMsgId>ABPS/2/1/2/1</OrgnlMsgId>
```

```
<!-- Original message name identifier -->
```

```
<OrgnlMsgNmId>pacs.008.001.08</OrgnlMsgNmId>
```

```
<!-- Original message date -->
```

```
<OrgnlCreDtTm>2019-09-29T10:00:00+04:00</OrgnlCreDtTm>
```

```
<GrpSts>PDNG</GrpSts>
```

```
<StsRsnInf>
```

```
<!-- Code of the error or warning -->
```

```
<Rsn>
```

```
<Prtry>EP183</Prtry>
```

```
</Rsn>
```

```
<!-- Description of the error or warning -->
```

```
<AddtlInf>Lack of funds</AddtlInf>
```

```
</StsRsnInf>
```

```
<StsRsnInf>
```

```
<!-- SDR - Sender of the original message -->
```

```
<Rsn>
```

```
<Prtry>SNDR</Prtry>
```

```
</Rsn>
```

```
<!-- Sender of the original message -->
```

```
<AddtlInf>ABPSEGCA</AddtlInf>
```

```
</StsRsnInf>
```

```
</OrgnlGrpInfAndSts>
```

```
<TxInfAndSts>
```

```
<TxSts>PDNG</TxSts>
```

```
<StsRsnInf>
```

```
<!-- Code of the error or warning -->
```

```
<Rsn>
```

```
<Prtry>EP183</Prtry>
```

```
</Rsn>
<!-- Description of the error or warning -->
  <AddtlInf>Lack of funds</AddtlInf>
</StsRsnInf>
<!-- Date/Time of payment message acceptance -->
  <AcptncDtTm>2019-09-29T10:00:00Z</AcptncDtTm>
  <OrgnlTxRef>
<!-- Settlement amount -->
  <IntrBkSttlmAmt Ccy="AED">1000</IntrBkSttlmAmt>
<!-- Value date -->
  <IntrBkSttlmDt>2019-09-29</IntrBkSttlmDt>
  <PmtTpInf>
    <ClrChanl>RTGS</ClrChanl>
<!-- Settlement priority -->
  <SvcLvl>
    <Prtry>0030</Prtry>
  </SvcLvl>
<!-- Local instrument -->
  <LclInstrm>
    <Prtry>SCYN-SCCT-CONV</Prtry>
  </LclInstrm>
</PmtTpInf>
<!-- Purpose (Transaction type code) -->
  <Purp>
    <Prtry>001</Prtry>
  </Purp>
</OrgnlTxRef>
</TxInfAndSts>
</FIToFIPmtStsRpt>
</Document>
```

3.2 MT950 ≡ CAMT.053/GBST: STATEMENT MESSAGE

This message is generated by the Buna automatically in accordance with Buna regulations for each account.

Please refer to [1.11] for the description of the fields of message header which are not described in the table below.

Format of MT950 ≡ camt.053/GBST: Statement Message

SWIFT status	MT Field	MT Field Name	MT Format	Buna status	Comment	Example	XPath in head.001 and camt.053
M	Block 2	Message type	3!n	M	MT: SWIFT message type. MX: MX message type	MT: 950 MX: camt.053.001.08	AppHdr + MsgDefldr Document AND
M	20	Transaction Reference Number	16x	M	Unique reference assigned by the system	454545SM	Document + BkToCstmrStmt ++ GrpHdr +++ MsgId
M	25	Account Identification	35x	M	Code of account which statement is reported	123456789	Document + BkToCstmrStmt ++ Stmt +++ Acct ++++ Id +++++ Othr ++++++ Id
M	28C	Statement Number/ Sequence Number	5n	M	Each new statement is assigned a statement number increased by 1 from the previous statement number.	MT: 233/1 MX: 233	Document + BkToCstmrStmt ++ Stmt +++ ElectrncSeqNb

SWIFT status	MT Field	MT Field Name	MT Format	Buna status	Comment	Example	XPath in head.001 and camt.053
			[/3n]	O	Sequence Number if statement is split in two or more messages	MT:233/1 MX: 1	Document + BkToCstmrStmt ++ Stmt +++ StmtPgntn ++++ PgNb
					Last page indicator in MX: <ul style="list-style-type: none"> • true: the message is the only or the last in the sequence; • false otherwise. 	MX: true	Document + BkToCstmrStmt ++ Stmt +++ StmtPgntn ++++ LastPgInd
M	60a	Opening Balance	--	M	MX: PRCD for Field :60F: MX: ITBD for Field :60M:	MX: PRCD	Document + BkToCstmrStmt ++ Stmt +++ Bal ++++ Tp +++++ CdOrPrtry ++++++ Cd
			1!a	M	MT: C — Credit ≡ MX: CRDT MT: D — Debit ≡ MX: DBIT	MT: C190929AED159000,00 MX: CRDT	Document + BkToCstmrStmt ++ Stmt +++ Bal ++++ CdtDbtInd
			6!n	M	Balance Date	MT: C190929AED159000,00 MX: 2019-09-29	Document + BkToCstmrStmt ++ Stmt +++ Bal ++++ Dt +++++ Dt

SWIFT status	MT Field	MT Field Name	MT Format	Buna status	Comment	Example	XPath in head.001 and camt.053
			3!a15d	M	Balance Amount with currency	MT: C190929 AED159000,00 MX: Ccy="AED" 159000.00	Document + BkToCstmrStmt ++ Stmt +++ Bal ++++ Amt
→	→ Start of repetitive sequence						
O	61	Statement Line	--	M	Line is composed of 9 subfields. See description below	--	
	Subfield 1	Value date	6!n	M	The specified in the message	MT: 190929 MX: 2019-09-29	Document + BkToCstmrStmt ++ Stmt +++ Ntry ++++ ValDt +++++ Dt
	Subfield 2	Entry date	[4!n]	O	The date on which the transaction is booked to the account	MT: 0929 MX: 2019-09-29	Document + BkToCstmrStmt ++ Stmt +++ Ntry ++++ BookgDt +++++ Dt
	Subfield 3	Debit/Credit Mark	2a	M	MT: C — Credit ≡ MX: CRDT MT: D — Debit ≡ MX: DBIT	MT: D MX: DBIT	Document + BkToCstmrStmt ++ Stmt +++ Ntry ++++ CdtDbtInd
	Subfield 4	Funds Code	[1!a]	--	Currency code is not used in Statement line	--	--

SWIFT status	MT Field	MT Field Name	MT Format	Buna status	Comment	Example	XPath in head.001 and camt.053
	Subfield 5	Amount	15d	M	Entry amount	MT: 1022,6 MX: Ccy = "AED" 1022.6	Document + BkToCstmrStmt ++ Stmt +++ Ntry ++++ Amt
	Subfield 6	Transaction Type/ Identification Code	1!a3!c	M	NTRF fixed value	NTRF	--
	Subfield 7	Reference for the Account Owner	16x	M	Reference specified in field :20: of the original payment message	5654645	Document + BkToCstmrStmt ++ Stmt +++ Ntry ++++ NtryDtls +++++ TxDtls ++++++ Refs +++++++ Msgld
	Subfield 8	Reference of the Account Servicing Institution	[//16x]	O	--	--	--
	Sub-field 9	Supplementary Details	4!a2!a2!c[3!c]	MA	BIC of payment message sender	ABPSEGCA	Document + BkToCstmrStmt ++ Stmt +++ Ntry ++++ NtryDtls +++++ TxDtls ++++++ RltdAgts +++++++ InstgAgt +++++++ FinInstnld +++++++ BICFI

SWIFT status	MT Field	MT Field Name	MT Format	Buna status	Comment	Example	XPath in head.001 and camt.053
			4!a2!a2!c[3!c]	MA	Pseudo-BIC of payment message sender	EBPNEGCA	Document + BkToCstmrStmt ++ Stmt +++ Ntry ++++ NtryDtIs +++++ TxDtIs ++++++ RltdAgts +++++++ InstgAgt +++++++ FinInstnId +++++++ ClrSysMmbld +++++++ Mmbld
			4!a2!a2!c3!c	MA	MX: BIC/pseudo-BIC of an FI which has sent the transfer in case the FI is not Buna participant. First 8 symbols of BIC of the FI are the same as those in Buna participant BIC/pseudo-BIC. This alternative option is used in MX→ MT translation when BrnchId/Id is populated in the message	ABPSEGCA456	Document + BkToCstmrStmt ++ Stmt +++ Ntry ++++ NtryDtIs +++++ TxDtIs ++++++ RltdAgts +++++++ InstgAgt +++++++ BrnchId +++++++ Id
--				--	End of repetitive sequence		

SWIFT status	MT Field	MT Field Name	MT Format	Buna status	Comment	Example	XPath in head.001 and camt.053
M	62a	Closing Balance (Booked Funds)	4!a	M	MX: CLBD for Field :62F: MX: ITBD for Field :62M:	MX: CLBD	Document + BkToCstmrStmt ++ Stmt +++ Bal ++++ Tp +++++ CdOrPrtry ++++++ Cd
			1!a	M	MT: C — Credit ≡ MX: CRDT MT: D — Debit ≡ MX: DBIT	MT: C190929AED161000,00 MX: CRDT	Document + BkToCstmrStmt ++ Stmt +++ Bal ++++ CdtDbtInd
			6!n	M	Balance Date	MT: C190929AED161000,00 MX: 2019-09-29	Document + BkToCstmrStmt ++ Stmt +++ Bal ++++ Dt +++++ Dt
			3!a15d	M	Balance Amount with currency	MT: C190929AED161000,00 MX: Ccy="AED" 161000.00	Document + BkToCstmrStmt ++ Stmt +++ Bal ++++ Amt
--	--	--	--	M	Fixed value GBST. Please note: the particular code can be changed in the newer versions of message format.	MX: GBST	Document + BkToCstmrStmt ++ GrpHdr +++ AddtlInf

SWIFT status	MT Field	MT Field Name	MT Format	Buna status	Comment	Example	XPath in head.001 and camt.053
--	--	--	--	M	BOOK — booked	MX: BOOK	Document + BkToCstmrStmt ++ Stmt +++ Ntry ++++ Sts +++++ Cd
--	--	--	--	M	Message type initiated the entry	MX: pacs.008.001.08	Document + BkToCstmrStmt ++ Stmt +++ Ntry ++++ BkTxCd +++++Prtry +++++ Cd
--	--	--	--	O	Total number of the entries in the statement	MX: 3	Document + BkToCstmrStmt ++ Stmt +++ TxSummry ++++ TtlNtries +++++ NbOfNtries
--	--	--	--	O	Total sum of the entries in the statement	MX: 444889.	Document + BkToCstmrStmt ++ Stmt +++ TxSummry ++++ TtlNtries +++++ Sum
--	--	--	--	O	Total net entry amount	MX: 888.	Document + BkToCstmrStmt ++ Stmt +++ TxSummry ++++ TtlNtries +++++ TtlNetNtry +++++ Amt

SWIFT status	MT Field	MT Field Name	MT Format	Buna status	Comment	Example	XPath in head.001 and camt.053
--	--	--	--	O	Credit-debit indicator: DBIT or CRDT	MX: DBIT	Document + BkToCstmrStmt ++ Stmt +++ TxSummry ++++ TtlNtries +++++ TtlNetNtry ++++++ CdtDbtInd
--	--	--	--	O	Total number of the credit entries in the statement	MX: 1	Document + BkToCstmrStmt ++ Stmt +++ TxSummry ++++ TtlCdtNtries +++++ NbOfNtries
--	--	--	--	O	Total sum of the credit entries in the statement	MX: 222000.5	Document + BkToCstmrStmt ++ Stmt +++ TxSummry ++++ TtlCdtNtries +++++ Sum
--	--	--	--	O	Total number of the debit entries in the statement	MX: 2	Document + BkToCstmrStmt ++ Stmt +++ TxSummry ++++ TtlDbtNtries +++++ NbOfNtries
--	--	--	--	O	Total sum of the debit entries in the statement	MX: 222000.5	Document + BkToCstmrStmt ++ Stmt +++ TxSummry ++++ TtlDbtNtries +++++ Sum



SWIFT status	MT Field	MT Field Name	MT Format	Buna status	Comment	Example	XPath in head.001 and camt.053
--	--	--	--	M	Date and time of the message creation	MX: 2019-09-29T13:48:47+04:00	Document + BkToCstmrStmt ++ GrpHdr +++ CreDtTm

Additional comments

Field :20: is a Transaction Reference Number.

Field :25: specifies the Account number.

Field :28C: specifies statement number and sequence number of the statement. Each new statement is assigned a statement number increased by 1 from the previous statement number.

Field :60a: (:60F: or :60M:) specifies the opening balance. This field should equal field :62F: of the previous statement.

In case of MT950 should be divided into several messages due to SWIFT limitation¹ applied to the size of an individual message (usually this limitation is not switched on in case sending the messages via channels other than SWIFT), field :60a: in the first message has to have an identification :60F: and all subsequent fields have an identification :60M:.

Field :61: specifies details of each transaction. The information in this field should be interpreted as follows:

Subfield	SWIFT format	System format	Name
1	6!n	6!n	Value Date
2	[4!n]	[4!n]	Entry Date
3	2a	1a	Debit/Credit Mark

¹ SWIFT limitation for MT950 is 2,000 characters.



Subfield	SWIFT format	System format	Name
4	[1!a]	-	Funds Code
5	15d	15d	Amount
6	1!a3!c	1!a3!c	Transaction Type+Identification Code
7	16x	16x	Reference for the Account Owner
8	[//16x]	-	Reference of the Account Servicing Institution
9	[34x]	4!a2!a2!c[3!c]	Supplementary Details

Subfield 1, Value Date, is the date which specified in payment messages.

1909290930C1700,NTRF12345

Subfield 2, Entry Date, is the business day date on which the transaction is settled in the Buna.

190929**0930**C1700,NTRF12345

Subfield 3, Debit/Credit Mark:

C	Credit
D	Debit

1909290930**C**1700,NTRF12345



Subfield 4, is not used in current version of MT950

Subfield 5, Amount, is the amount of the transaction.

1909290930C **1700**,NTRF12345

Subfield 6, NTRF fixed value:

1909290930C1700,**NTRF**12345

Subfield 7, Reference for the Account Owner, is the reference (field :20:) of the message that initiated the entry.

1909290930C1700,NTRF **12345**

Subfield 8, is not used in current version of MT950.

Subfield 9, Supplementary Details.

ABPSEGCA

Sender of the message that initiated the entry.

Field :62a: (:62F: or :62M:) specifies the closing balance.

In case SWIFT limitation is applied to the size of an individual message, field :62a: in the last message has to have an identification :62F: and all previous fields have an identification :62M:.

Example

MT950 from Buna to A-BP

```
{1:F01ABPSEGCAXXX}{2:O950BUNNAEAAXXXN}{3:{108:1909290001000953}}{4:  
:20:S5321237/950
```



```
:25:520008000990
:28C:3/1
:60F:C190929AED0,
:61:190929D888,NTRFABPSEGCR103001
ABPSEGCA
:61:190929C222000,50NTRFBBPSTNTT202003
BBPSTNTT
:61:190929D888,NTRFXYZW23423
BBPSTNTT130
:62F:C190929AED222000,50
-}
```

MX equivalent

```
<?xml version="1.0" encoding="UTF-8"?>
<!-- Application header -->
<AppHdr xmlns="urn:iso:std:iso:20022:tech:xsd:head.001.001.01">
<!-- Message Sender:-Buna-->
  <Fr>
    <FIld>
      <FinInstnId>
        <BICFI>BUNNAEAA</BICFI>
      </FinInstnId>
    </FIld>
  </Fr>
<!-- Message Receiver : BP-->
  <To>
    <FIld>
      <FinInstnId>
        <BICFI>ABPSEGCA</BICFI>
      </FinInstnId>
    </FIld>
  </To>
<!-- Message Reference -->
  <BizMsgldr>190929BUNNAEAAXXX0001000953</BizMsgldr>
<!-- Message Type -->
  <MsgDefldr>camt.053.001.08</MsgDefldr>
```

```
<!-- Message Creation Date/Time-->
```

```
<CreDt>2019-09-29T22:02:00Z</CreDt>
```

```
</AppHdr>
```

```
<!-- Document -->
```

```
<Document xmlns="urn:iso:std:iso:20022:tech:xsd:camt.053.001.08">
```

```
<BkToCstmrStmnt>
```

```
<GrpHdr>
```

```
<!-- Unique message reference -->
```

```
<MsgId>S5321237/950</MsgId>
```

```
<!-- Message creation date time -->
```

```
<CreDtTm>2019-09-29T22:02:00+04:00</CreDtTm>
```

```
<!-- GBST = Statement -->
```

```
<AddtlInf>GBST</AddtlInf>
```

```
</GrpHdr>
```

```
<Stmnt>
```

```
<!-- Unique statement id (same as MsgId) -->
```

```
<Id>S5321237/950</Id>
```

```
<StmntPgntn>
```

```
<!-- Page number of statement -->
```

```
<PgNb>1</PgNb>
```

```
<!-- Indicator if this report is last in group -->
```

```
<LastPgInd>true</LastPgInd>
```

```
</StmntPgntn>
```

```
<!-- Electronic sequence number. Number of statement generated for account. -->
```

```
<ElctrncSeqNb>3</ElctrncSeqNb>
```

```
<!-- Report creation date time -->
```

```
<CreDtTm>2019-09-29T13:48:47+04:00</CreDtTm>
```

```
<Acct>
```

```
<!-- Account code for which report is generated -->
```

```
<Id>
```

```
<Othr>
```

```
<Id>520008000990</Id>
```

```
</Othr>
```

```
</Id>
```

```
<!-- Account owner BIC or pseudo-BIC -->
```

```
<Ownr>
```



```
        <Id>
          <OrgId>
            <AnyBIC>ABPSEGCA</AnyBIC>
          </OrgId>
        </Id>
      </Ownr>
    </Acct>
    <Bal>
```

```
<!-- Balance type: PRCD - Previous Closing Booked -->
```

```
    <Tp>
      <CdOrPrtry>
        <Cd>PRCD</Cd>
      </CdOrPrtry>
    </Tp>
```

```
<!-- Amount and currency of reported balance of this type -->
```

```
<Amt Ccy="AED">0.</Amt>
```

```
<!-- Credit/debit indicator -->
```

```
<CdtDbtInd>CRDT</CdtDbtInd>
```

```
<!-- Date for balance reported -->
```

```
<Dt>
  <Dt>2019-09-29</Dt>
</Dt>
```

```
</Bal>
<Bal>
```

```
<!-- Balance type: CLBD - Closing booked -->
```

```
    <Tp>
      <CdOrPrtry>
        <Cd>CLBD</Cd>
      </CdOrPrtry>
    </Tp>
```

```
<!-- Amount and currency of reported balance of this type -->
```

```
<Amt Ccy="AED">222000.50</Amt>
```

```
<!-- Credit/debit indicator -->
```

```
<CdtDbtInd>CRDT</CdtDbtInd>
```

```
<!-- Date for balance reported -->
```

```
<Dt>
  <Dt>2019-09-29</Dt>
```

```

</Dt>
</Bal>
<!-- Transaction summary -->
<TxsSummry>
  <TtlNtries>
    <NbOfNtries>3</NbOfNtries>
    <Sum>444889.</Sum>
    <TtlNetNtry>
      <Amt>888.</Amt>
      <CdtDbtInd>DBIT</CdtDbtInd>
    </TtlNetNtry>
  </TtlNtries>
  <TtlCdtNtries>
    <NbOfNtries>1</NbOfNtries>
    <Sum>222000.50</Sum>
  </TtlCdtNtries>
  <TtlDbtNtries>
    <NbOfNtries>2</NbOfNtries>
    <Sum>222888.50</Sum>
  </TtlDbtNtries>
</TxsSummry>

```

<!-- Entry #1 -->

```

<Ntry>
  <!-- Sequence number of entry within report -->
  <NtryRef>1</NtryRef>
  <!-- Currency and amount of entry (transaction) -->
  <Amt Ccy="AED">888.00</Amt>
  <!-- Credit/Debit indicator -->
  <CdtDbtInd>DBIT</CdtDbtInd>
  <Sts>
    <Cd>BOOK</Cd>
  </Sts>
  <!-- Payment value date -->
  <ValDt>
    <Dt>2019-09-29</Dt>
  </ValDt>
  <!-- Payment message type -->

```

```

<BkTxCd>
  <Prtry>
    <Cd> pacs.008.001.08 </Cd>
  </Prtry>
</BkTxCd>
<NtryDtls>
  <TxDtls>
    <Refs>
      <!-- Message Id from Original payment -->
      <MsgId> ABPSEGCR103001 </MsgId>
      <!-- Instruction id -->
      <InstrId> NOTPROVIDED </InstrId>
      <!-- Transaction end-to-end id -->
      <EndToEndId> NOTPROVIDED </EndToEndId>
      <!-- UETR -->
      <UETR> 4e7b08db-68e1-4af3-ac40-cd06623bac8a </UETR>
    </Refs>
    <!-- Payment amount and currency code -->
    <Amt Ccy="AED"> 888.00 </Amt>
    <RltdAgts>
      <!-- Party who has effectively sent payment to the system -->
      <InstgAgt>
        <FinInstnId>
          <BICFI> ABPSEGCA </BICFI>
        </FinInstnId>
      </InstgAgt>
    </RltdAgts>
  </TxDtls>
</NtryDtls>
</Ntry>
<!-- Entry #2 -->
<Ntry>
  <NtryRef> 2 </NtryRef>
  <Amt Ccy="AED"> 222000.50 </Amt>
  <CdtDbtInd> CRDT </CdtDbtInd>
  <Sts>
    <Cd> BOOK </Cd>
  </Sts>
</Ntry>

```

```
</Sts>
<ValDt>
  <Dt>2019-09-29</Dt>
</ValDt>
<BkTxCd>
  <Prtry>
    <Cd>pacs.009.001.08</Cd>
  </Prtry>
</BkTxCd>
<NtryDtls>
  <TxDtls>
    <Refs>
      <MsgId>BBPSTNTT202003</MsgId>
      <InstrId>NOTPROVIDED</InstrId>
      <EndToEndId>NOTPROVIDED</EndToEndId>
      <UETR>eda44485-9f17-451c-afc0-4456d7b7e6da</UETR>
    </Refs>
<!-- Payment amount and currency code -->
    <Amt Ccy="AED">222000.50</Amt>
    <RltdAgts>
      <InstgAgt>
        <FinInstnId>
          <BICFI>BBPSTNTT</BICFI>
        </FinInstnId>
      </InstgAgt>
    </RltdAgts>
  </TxDtls>
</NtryDtls>
</Ntry>
<!-- Entry #3 -->
<Ntry>
  <NtryRef>3</NtryRef>
  <Amt Ccy="AED">222000.50</Amt>
  <CdtDbtInd>DBIT</CdtDbtInd>
  <Sts>
    <Cd>BOOK</Cd>
  </Sts>
</Ntry>
```

```

<ValDt>
  <Dt>2019-09-29</Dt>
</ValDt>
<BkTxCd>
  <Prtry>
    <Cd>pacs.008.001.09</Cd>
  </Prtry>
</BkTxCd>
<NtryDtls>
  <TxDtls>
    <Refs>
      <MsgId>XYZW23423</MsgId>
      <InstrId>NOTPROVIDED</InstrId>
      <EndToEndId>NOTPROVIDED</EndToEndId>
      <UETR>eda44485-9f17-451c-afc0-4456d7b7e6da</UETR>
    </Refs>
    <!-- Payment amount and currency code -->
    <Amt Ccy="AED">222000.50</Amt>
    <RltdAgts>
      <InstgAgt>
        <FinInstnId>
          <BICFI>BBPSTNTT</BICFI>
        </FinInstnId>
        <BrnchId>
          <Id>BBPSTNTT130</Id>
        </BrnchId>
      </InstgAgt>
    </RltdAgts>
  </TxDtls>
</NtryDtls>
</Ntry>
</Stmt>
</BkToCstmrStmt>
</Document>

```

4 REQUESTING PAYMENT STATUS

4.1 MTN95/STAT ≡ PACS.028: STATUS REQUEST MESSAGE

This message requests the status of a related transfer sent to Buna earlier.

Message MT195 should be used for queries to MT103 and MT102 messages.

Message MT295 should be used for queries to MT202 message.

Please refer to [1.11] for the description of the fields of message header which are not described in the table below.

Format of MTn95 ≡ pacs.028: Status Request message

SWIFT Status	MT Field	Field Name	MT Format	Buna Status	Comment	Example	XPath in head.001 and pacs.028
M	Block 2	Message type	3!n	M	MT: SWIFT message type. MX: MX message type	MT: 195 MX: pacs.028.001.03	AppHdr + MsgDefldr Document AND
M	20	Transaction Reference Number	16x	M	Unique reference assigned by the system	567934QW	Document + FIToFIPmtStsReq ++ GrpHdr +++ Msgld
M	21	Related Reference	16x	M	Reference of the payment message	494931/DEV	Document + FIToFIPmtStsReq ++ OrgnlGrplnf +++ OrgnlMsgld
M	75	Queries	4!a	M	STAT fixed value	STAT	--

SWIFT Status	MT Field	Field Name	MT Format	Buna Status	Comment	Example	XPath in head.001 and pacs.028
O	11S	MT and Date of Original Message	3!n	M	Type of payment message which status is requested	MT: 102 MX : pacs.008.001.08 MT: 103 MX : pacs.008.001.08 MT: 202 MX : pacs.009.001.08 MT: 202 MX : pacs.004.001.09	Document + FIToFIPmtStsReq ++ OrgnlGrplnf +++ OrgnlMsgNmld
			6!n	M	Calendar date of original message	MT: 190929 MX: 2019-09-29	Document + FIToFIPmtStsReq ++ OrgnlGrplnf +++ OrgnlCreDtTm
O	30	Copy of at least the Mandatory Fields of the Original Message	6!n	M	Value date of the requested transfer	MT: 190929 MX: 2019-09-29	Document + FIToFIPmtStsReq ++ TxInf +++ OrgnlTxRef ++++ IntrBkSttlmDt
O	82A		4!a2!a2!c[3!c]	MA	BIC of Sender of the requested transfer:	ABPSEGCA	Document + FIToFIPmtStsReq ++ TxInf +++ InstgAgt ++++ FinInstnld +++++ BICFI

SWIFT Status	MT Field	Field Name	MT Format	Buna Status	Comment	Example	XPath in head.001 and pacs.028
	82D		4!a2!a2!c[3!c]	MA	Pseudo-BIC of Sender of the requested transfer	ABPSEGCA	Document + FIToFIPmtStsReq ++ TxInf +++ InstgAgt ++++ FinInstnId +++++ ClrSysMmbld ++++++ Mmbld

Additional comments

Field :20: is the Transaction Reference Number.

Field :21: specifies Transaction Reference Number of related transfer.

Field :75: specifies Type of Request. In this message type, this field has the value of "STAT".

Field :11S: specifies the message type of related transfer and date when the message was sent to Buna.

Copy of at least mandatory fields of the original message in the answer (if exists) includes the following fields: 30 and 82a.

Please note. SWIFT does not validate the relationship between the copied field(s) and the original message. Even if not defined for the referenced message, any valid field except 77F or 77T (Error code(s): T13) is accepted as the "Copy of fields".

Field :30: specifies the value date of transfer which status is requested.

Field :82a: specifies the BIC/Pseudo-BIC of participant who issued the transfer which status is requested.

Example

MT195: Status Request message

```
{1:F01ABPSEGCAAXXX}{2:I195BUNNAEAAXXXN}{3:{108:ABPS/3/1/2/STAT}}{4:
:20:ABPS/3/1/2/STAT
```



```
:21:ABPS/2/1/2
:75:STAT
:11S:103
190929
:30:190929
:82A:ABPSEGCA
-}
```

pac.028: MX equivalent of MT195

```
<?xml version="1.0" encoding="UTF-8"?>
```

```
<!-- Application header -->
```

```
<AppHdr xmlns="urn:iso:std:iso:20022:tech:xsd:head.001.001.01">
```

```
<!-- Message Sender:-BP-->
```

```
<Fr>
  <FIld>
    <FinInstnId>
      <BICFI>ABPSEGCA</BICFI>
    </FinInstnId>
  </FIld>
</Fr>
```

```
<!-- Message Receiver Buna-->
```

```
<To>
  <FIld>
    <FinInstnId>
      <BICFI>BUNNAEAA</BICFI>
    </FinInstnId>
  </FIld>
</To>
```

```
<!-- Message Reference -->
```

```
<BizMsgldr>ABPS/3/1/2/STAT</BizMsgldr>
```

```
<!-- Message Type -->
```

```
<MsgDefldr>pac.028.001.03</MsgDefldr>
```

```
<!-- Message Creation Date/Time-->
```

```
<CreDt>2019-09-29T12:12:12Z</CreDt>
```

```
</AppHdr>
```

```
<!-- Document -->
```

```
<Document xmlns="urn:iso:std:iso:20022:tech:xsd:pacs.028.001.03">
<FIToFIPmtStsReq>
  <GrpHdr>
<!-- Status request message Unique identifier -->
    <MsgId>ABPS/3/1/2/STAT</MsgId>
<!-- System date time -->
    <CreDtTm>2019-09-29T12:12:12+04:00</CreDtTm>
  </GrpHdr>
  <OrgnlGrpInf>
<!-- Original message id of the transfer for which status request is sent -->
    <OrgnlMsgId>ABPS/2/1/2</OrgnlMsgId>
<!-- MX type of the original transfer for which status request is sent -->
    <OrgnlMsgNmId>pacs.008.001.08</OrgnlMsgNmId>
  </OrgnlGrpInf>
  <TxInf>
    <InstgAgt>
<!-- Instructing agent.
Participant who sent original message to the system. BICFI for swift-registered BICs.
ClrSysMmbld/Mmbld for pseudo-BIC codes (non-swift registered)-->
      <FinInstnId>
        <BICFI>ABPSEGCA</BICFI>
      </FinInstnId>
    </InstgAgt>
    <OrgnlTxRef>
<!-- Settlement date from the original message-->
      <IntrBkSttlmDt>2019-09-29</IntrBkSttlmDt>
    </OrgnlTxRef>
  </TxInf>
</FIToFIPmtStsReq>
</Document>
```

4.2 MTN96/STAT ≡ PACS.002: PAYMENT STATUS MESSAGE

Pacs.002 is generated in response to related Status request message (pacs.028) [4.1].

Pacs.002 can be translated to MTn96/STAT message.

Please refer to [1.11] for the description of the fields of message header which are not described in the table below.

Format of MTn96/STAT ≡ pacs.002: Payment status message.

SWIFT Status	MT Field	MT Field Name	MT Format	Buna status	Comment	Example	XPath in head.001 and pacs.002
M	Block 2	Message type	MT: 3!n	M	MT: SWIFT message type. MX: MX message type	MT: 196 or 296 MX: pacs.002.001.10	AppHdr + MsgDefldr Document AND
M	20	Transaction Reference Number	16x	M	Unique reference assigned by the system	6457RW	Document + FIToFIPmtStsRpt ++ GrpHdr +++ Msgld
M	21	Related Reference	16x	M	Reference of the transfer which status is reported	ABPS/2/1/2/1	Document + FIToFIPmtStsRpt ++ OrgnlGrplnfAndSts +++ OrgnlMsgld
			--	M	Reference of the status request. .	12312312	Document + FIToFIPmtStsRpt ++ OrgnlGrplnfAndSts +++ StsRsnInf ++++ AddtlInf
			--	M	RREF keyword	MX: RREF	Document + FIToFIPmtStsRpt ++ OrgnlGrplnfAndSts +++ StsRsnInf ++++ Rsn +++++ Prtry
--	--	--	--	M	Type of request message	MX: pacs.028.001.03	Document + FIToFIPmtStsRpt ++ OrgnlGrplnfAndSts +++ StsRsnInf ++++ AddtlInf

SWIFT Status	MT Field	MT Field Name	MT Format	Buna status	Comment	Example	XPath in head.001 and pacs.002
			--	M	RNAM keyword	MX: RNAM	Document + FIToFIPmtStsRpt ++ OrgnlGrplnfAndSts +++ StsRsnInf ++++ Rsn +++++ Prtry
--	--	--	--	M	Sender of the request message	MX: ABPSEGCA	Document + FIToFIPmtStsRpt ++ OrgnlGrplnfAndSts +++ StsRsnInf ++++ AddtlInf
			--	M	RSND keyword	MX: RSND	Document + FIToFIPmtStsRpt ++ OrgnlGrplnfAndSts +++ StsRsnInf ++++ Rsn +++++ Prtry
M	76	Answers	4!a	M	Fixed value STAT for payment status message	MT: STAT/1909291300+0400	--
			/6!n4!n1!x4!n	O	Time of status request.	MT: STAT/1909291300+0400 MX: 2019-09-29T13:00:00+04:00	Document + FIToFIPmtStsRpt ++ OrgnlGrplnfAndSts +++ StsRsnInf ++++ AddtlInf
			--	O	RDAT keyword	MX: RDAT	Document + FIToFIPmtStsRpt ++ OrgnlGrplnfAndSts +++ StsRsnInf ++++ Rsn +++++ Prtry

SWIFT Status	MT Field	MT Field Name	MT Format	Buna status	Comment	Example	XPath in head.001 and pacs.002
			4!c	M	Code of payment status	MT: RJCT /1909291300+0400 MX: RJCT	Document + FIToFIPmtStsRpt ++ OrgnlGrplnfAndSts +++ GrpSts AND Document + FIToFIPmtStsRpt ++ TxlnfAndSts +++ TxSts
			[/6!n4!n1!x4!n]	O	Time of status message creation	MT: RJCT/1909291300+0400 MX: 2019-09-29T13:00+04:00	Document + FIToFIPmtStsRpt ++ GrpHdr +++ CreDtTm
O	77A	Narrative	35x	O	Code of error or warning	E435	Document + FIToFIPmtStsRpt ++ OrgnlGrplnfAndSts +++ StsRsnlnf ++++ AddtlInf AND Document + FIToFIPmtStsRpt ++ TxlnfAndSts +++ StsRsnlnf ++++ Rsn ++++ Prtry

SWIFT Status	MT Field	MT Field Name	MT Format	Buna status	Comment	Example	XPath in head.001 and pacs.002
			35x	O	Description of error or warning	Incorrect account	Document + FIToFIPmtStsRpt ++ OrgnlGrpInfAndSts +++ StsRsnInf ++++ AddtlInf AND Document + FIToFIPmtStsRpt ++ TxInfAndSts +++ StsRsnInf ++++ AddtlInf
			[35x]	C	Additional information related to an error or warning	234324235435	Document + FIToFIPmtStsRpt ++ OrgnlGrpInfAndSts +++ StsRsnInf ++++ AddtlInf AND Document + FIToFIPmtStsRpt ++ TxInfAndSts +++ StsRsnInf ++++ AddtlInf
O	11R	MT and Date of Original Message	3!n	O	Type of payment message which status is reported.	MT: 102 MX : pacs.008. 001.08 MT: 103 MX : pacs.008. 001.08 MT: 202 MX : pacs.009.001.08	Document + FIToFIPmtStsRpt ++ OrgnlGrpInfAndSts +++ OrgnlMsgNmId

SWIFT Status	MT Field	MT Field Name	MT Format	Buna status	Comment	Example	XPath in head.001 and pacs.002
			6!n	O	Calendar date of original message	MT: 190929 MX: 2019-09-29	Document + FIToFIPmtStsRpt ++ OrgnlGrpInfAndSts +++ OrgnlCreDtTm
O	20	Copy of at least the mandatory fields of the Original Message	16x	M	Reference of the payment message which status is reported	MT: ABPS/2/1/2/1	Document + FIToFIPmtStsRpt ++ OrgnlGrpInfAndSts +++ OrgnlMsgld
	30		6!n	M	Value date of the payment message which status is reported	MT: 190929 MX: 2019-09-29	Document + FIToFIPmtStsRpt ++ TxInfAndSts +++ OrgnlTxRef ++++ IntrBkSttlmDt
	--		4!c	--	SNDR keyword. Not present in MT	MX: SNDR	Document + FIToFIPmtStsRpt ++ OrgnlGrpInfAndSts +++ StsRsnInf ++++ Rsn ++++ Prtry
	82J		/ABIC/UKWN/ NAME/4!a2!a 2!c[3!c]	M	BIC or Pseudo-BIC of Sender of the original payment	MT: /ABIC/UKWN/NAME/ABPS EGCA MX: ABPSEGCA	Document + FIToFIPmtStsRpt ++ OrgnlGrpInfAndSts +++ StsRsnInf ++++ AddtlInf
	32B		3!c15d	O	Transfer amount.	MX: Ccy="AED" 650.99	Document + FIToFIPmtStsRpt ++ TxInfAndSts +++ OrgnlTxRef ++++ IntrBkSttlmAmt



SWIFT Status	MT Field	MT Field Name	MT Format	Buna status	Comment	Example	XPath in head.001 and pacs.002
	26T		3!c	0	Transaction type code	001	Document + FIToFIPmtStsRpt ++ TxInfAndSts +++ OrgnlTxRef ++++ Purp +++++ Prtry

Additional comments

Field :20: is a Transaction Reference Number of MTn96 generated by Buna.

Field :21: specifies Transaction Reference Number of related message.

Field :76: specifies Type of Report and Status of related transfer:

Statu s code	Description
ACTC	Transfer is suspended for AML checks
RJCT	Rejected
PDNG	Pending
ACSC	Settlement Completed
ACCP	Future dated
CANC	Cancelled

Field :11R: specifies message type of related transfer and date when this message has been sent to Buna.

Copy of at least mandatory fields of the original message in the answer (if exists) includes the following fields: 20, 30, 82a, 32B and 26T.

Please note. SWIFT does not validate the relationship between the copied field(s) and the original message. Even if not defined for the referenced message, any valid field except 77F or 77T (Error code(s): T13) is accepted as the "Copy of fields".

Field :20: is a reference Number of the transfer.

Field :30: specifies the value date of transfer.

Field :82J: specifies the BIC/Pseudo-BIC of participant who issued the transfer.

Field :32B: (if present) specifies the transaction amount of the transfer.

Field :26T: (if present) specifies the transaction type code (purpose) of the transfer.

Example

MT196: Payment status message

```
{1:F01ABPSEGCAXXXX}{2:O196BUNNAEAXXXXN}{3:{108:1909290001000954}}{4:
:20:R1812095/196
:21:ABPS/2/1/2/1
:76:STAT/1909291744+0400
PDNG/1909291744+0400
:77A:EP183
Lack of funds
:20:ABPS/2/1/2/1
:30:190929
:82J:/ABIC/UKWN/NAME/ABPSEGCA
:32B:AED1000,
:26T:001
-}
```

pac.002: MX equivalent of MT196

```
<?xml version="1.0" encoding="UTF-8"?>
<!-- Application header -->
<AppHdr xmlns="urn:iso:std:iso:20022:tech:xsd:head.001.001.01">
<!-- Message Sender:-Buna-->
  <Fr>
    <FIld>
      <FinInstnId>
```

```
        <BICFI>BUNNAEAA</BICFI>
      </FinInstnId>
    </FIld>
  </Fr>
<!-- Message Receiver : BP-->
<To>
  <FIld>
    <FinInstnId>
      <BICFI>ABPSEGCA</BICFI>
    </FinInstnId>
  </FIld>
</To>
<!-- Message Reference -->
<BizMsgIdr>190929BUNNAEAAXXX0001000954</BizMsgIdr>
<!-- Message Type -->
<MsgDefldr>pacs.002.001.10</MsgDefldr>
<!-- Message Creation Date/Time-->
<CreDt>2019-09-29T12:12:13Z</CreDt>

<Rltd>
<!-- Message Sender:-BP-->
  <Fr>
    <FIld>
      <FinInstnId>
        <BICFI>ABPSEGCA</BICFI>
      </FinInstnId>
    </FIld>
  </Fr>
<!-- Message Receiver : Buna-->
<To>
  <FIld>
    <FinInstnId>
      <BICFI>BUNNAEAA</BICFI>
    </FinInstnId>
  </FIld>
</To>
<!-- Message Reference -->
```

```
<BizMsgIdr>ABPS/3/1/2/STAT</BizMsgIdr>
<!-- Message Type -->
<MsgDefIdr>pacs.028.001.03</MsgDefIdr>
<!-- Message Creation Date/Time-->
<CreDt>2019-09-29T12:12:12Z</CreDt>
</Rltd>
</AppHdr>

<!-- Document -->
<Document xmlns="urn:iso:std:iso:20022:tech:xsd:pacs.002.001.10">
  <FIToFIPmtStsRpt>
    <GrpHdr>
      <!-- Unique message identifier -->
      <MsgId>R1812095/196</MsgId>
      <!-- Message creation date time -->
      <CreDtTm>2019-09-29T12:12:13+04:00</CreDtTm>
    </GrpHdr>

    <OrgnGrpInfAndSts>
      <!-- Original message identifier -->
      <OrgnMsgId>ABPS/2/1/2/1</OrgnMsgId>
      <!-- Original message name identifier -->
      <OrgnMsgNmId>pacs.008.001.08</OrgnMsgNmId>
      <!-- Original message date -->
      <OrgnCreDtTm>2019-09-29T10:00:00+04:00</OrgnCreDtTm>
      <GrpSts>PDNG</GrpSts>
      <StsRsnInf>
        <!-- Code of the error or warning -->
        <Rsn>
          <Prtry>EP183</Prtry>
        </Rsn>

        <!-- Description of the error or warning -->
        <AddtlInf>Lack of funds</AddtlInf>
      </StsRsnInf>
    </StsRsnInf>
  </OrgnGrpInfAndSts>
</Document>
```

```
<!--SNDR - Sender of the original message -->
```

```
  <Rsn>  
    <Prtry>SNDR</Prtry>  
  </Rsn>
```

```
<!-- Sender of the original payment message -->
```

```
  <AddtlInf>ABPSEGCA</AddtlInf>  
</StsRsnInf>
```

```
<StsRsnInf>
```

```
<!-- RSND Sender of pacs.028 -->
```

```
  <Rsn>  
    <Prtry>RSND</Prtry>  
  </Rsn>
```

```
<!-- BIC/Pseudo-BIC of Sender -->
```

```
  <AddtlInf>ABPSEGCA</AddtlInf>  
</StsRsnInf>
```

```
<StsRsnInf>
```

```
<!-- Date of pacs.028 -->
```

```
  <Rsn>  
    <Prtry>RDAT</Prtry>  
  </Rsn>
```

```
<!-- Date/time of request -->
```

```
  <AddtlInf>2019-09-29T12:12:12+04:00</AddtlInf>  
</StsRsnInf>
```

```
<StsRsnInf>
```

```
<!-- Reference of pacs.028 -->
```

```
  <Rsn>  
    <Prtry>RREF</Prtry>  
  </Rsn>
```

```
<!--Request id -->
```

```
  <AddtlInf>ABPS/3/1/2/STAT</AddtlInf>  
</StsRsnInf>
```

```
<StsRsnInf>
<!-- Reference of pacs.028 -->
  <Rsn>
    <Prtry>RNAM</Prtry>
  </Rsn>
<!-- BIC/Pseudo-BIC of Sender -->
  <AddtlInf>pacs.028.001.03</AddtlInf>
</StsRsnInf>

</OrgnlGrpInfAndSts>

<TxInfAndSts>
  <TxSts>PDNG</TxSts>
  <StsRsnInf>
<!-- Code of the error or warning -->
  <Rsn>
    <Prtry>EP183</Prtry>
  </Rsn>

<!-- Description of the error or warning -->
  <AddtlInf>Lack of funds</AddtlInf>
</StsRsnInf>

<!-- Date/Time of payment message acceptance -->
  <AcptncDtTm>2019-09-29T10:00:00Z</AcptncDtTm>
  <OrgnlTxRef>

<!-- Settlement amount -->
  <IntrBkSttlmAmt Ccy="AED">1000</IntrBkSttlmAmt>

<!-- Value date -->
  <IntrBkSttlmDt>2019-09-29</IntrBkSttlmDt>

  <PmtTpInf>
    <ClrChanl>RTGS</ClrChanl>

<!-- Settlement priority -->
  <SvcLvl>
    <Prtry>0030</Prtry>
```

```
        </SvcLvl>
<!--Local instrument -->
        <LclInstrm>
            <Prtry>SCYN-SCCT-CONV</Prtry>
        </LclInstrm>
    </PmtTplnf>
<!--Purpose (Transaction type code) -->
        <Purp>
            <Prtry>001</Prtry>
        </Purp>
    </OrgnlTxRef>
</TxInfAndSts>
</FIToFIPmtStsRpt>
</Document>
```

5 CANCELLATION

5.1 MTN92 ≡ CAMT.056: REQUEST FOR CANCELLATION

This message is used to cancel payment sent to Buna earlier.

Message MT192 should be used for cancellation of MT103 and MT102.

Message MT292 should be used for cancellation of MT202.

Message MT196 is generated in reply to MT192 message.

Message MT296 is generated in reply to MT292 message.

Please refer to [1.11] for the description of the fields of message header which are not described in the table below.

Format of MTn92 ≡ camt.056: Request for Cancellation.

SWIFT Status	MT Field	Field Name	MT Format	Buna Status	Comment	Example	XPath in head.001 and camt.056
M	Block 2	Message type	MT: 3!n	M	MT: SWIFT message type. MX: MX message type	MT: 192 or 292 MX: camt.056.001.08	AppHdr + MsgDefldr Document AND
M	Header	Sender	4!a2!a2!c[3!c]	MA	BIC of message Sender	ABPSEGCA	Document + FIToFIPmtCxlReq ++ Assgnmt +++ Assgnr ++++ Agt +++++ FinInstnld ++++++ BICFI
			4!a2!a2!c[3!c]	MA	BIC of message Sender	ABPNEGCA	Document + FIToFIPmtCxlReq ++ Assgnmt +++ Assgnr ++++ Agt +++++ FinInstnld ++++++ ClrSysMmbld +++++++ Mmbld
M	Header	Receiver	4!a2!a2!c[3!c]	MA	BIC of message Receiver	BUNNAEAA	Document + FIToFIPmtCxlReq ++ Assgnmt +++ Assgne ++++ Agt +++++ FinInstnld ++++++ BICFI

SWIFT Status	MT Field	Field Name	MT Format	Buna Status	Comment	Example	XPath in head.001 and camt.056
			4!a2!a2!c[3!c]	MA	Pseudo-BIC of message Receiver	BUNNAEAA	Document + FIToFIPmtCxlReq ++ Assgnmt +++ Assgne ++++ Agt +++++ FinInstnld ++++++ ClrSysMmbld +++++++ Mmbld
M	20	Transaction Reference Number	16x	M	Unique reference assigned by the system	676767CD	Document + FIToFIPmtCxlReq ++ Assgnmt +++ Id
M	21	Related Reference	16x	M	Reference of the payment message	213804/887	Document + FIToFIPmtCxlReq ++ Undrlyg +++ TxInf ++++ OrgnlGrplnf +++++ OrgnlMsgld
M	11S	MT and Date of Original Message	3!n	M	Type of payment message which cancelled.	MT: 102 MX : pacs.008.001.08 MT: 103 MX : pacs.008.001.08 MT: 202 MX : pacs.009.001.08 MT: 202 MX : pacs.004.001.09	Document + FIToFIPmtCxlReq ++ Undrlyg +++ TxInf ++++ OrgnlGrplnf +++++ OrgnlMsgNmlld

SWIFT Status	MT Field	Field Name	MT Format	Buna Status	Comment	Example	XPath in head.001 and camt.056
			6!n	M	Calendar date of original message	MT: 190929 MX: 2019-09-29T00:00:00	Document + FIToFIPmtCxlReq ++ Undrlyg +++ TxInf ++++ OrgnlGrpInf +++++ OrgnlCreDtTm
O	79	Narrative Description of the Original Message	4!c	O	Cancellation reason code	A004	Document + FIToFIPmtCxlReq ++ Undrlyg +++ TxInf ++++ CxIRsnInf +++++ Rsn +++++ Prtry
			3*50x	C	Additional information	Client error	Document + FIToFIPmtCxlReq ++ Undrlyg +++ TxInf ++++ CxIRsnInf +++++ AddtlInf
O	30	Copy of at least the Mandatory Fields of the Original Message	6!n	M	Value date of transfer to be cancelled	190929	Document + FIToFIPmtCxlReq ++ Undrlyg +++ TxInf ++++ OrgnlIntrBkSttlmDt
O	82A		4!a2!a2!c[3!c]	MA	BIC of Sender of the payment message to be cancelled	ABPSEGCA	Document + FIToFIPmtCxlReq ++ Undrlyg +++ TxInf ++++ Assgnr +++++ FinInstnld +++++ BICFI

SWIFT Status	MT Field	Field Name	MT Format	Buna Status	Comment	Example	XPath in head.001 and camt.056
	82D		4!a2!a2!c[3!c]	MA	Pseudo-BIC of Sender of the payment message to be cancelled	ABPNEGCA	Document + FIToFIPmtCxlReq ++ Undrlyg +++ TxInf ++++ Assgnr +++++ FinInstnId ++++++ ClrSysMmbld +++++++ Mmbld

Additional comments

Field :20: is a Transaction Reference Number.

Field :21: specifies Transaction Reference Number of related transfer (that is the transfer to be cancelled).

Field :11S: specifies message type of related transfer and date when this message has been sent to Buna.

Field :79: specifies the cancellation reason code and description.

Copy of at least mandatory fields of the original message in the answer (if exists) includes the following fields: 30 and 82a.

Please note. SWIFT does not validate the relationship between the copied field(s) and the original message. Even if not defined for the referenced message, any valid field except 77F or 77T (Error code(s): T13) is accepted as the "Copy of fields".

Field :30: specifies the value date of transfer to be cancelled.

Field :82a: specifies the BIC/Pseudo-BIC of participant who issued the transfer to be cancelled.

Example

MT192: Request for Cancellation

```
{1:F01ABPSEGCAAXXX}{2:I192BUNNAEAAXXXN}{3:{108:ABPSEGCR103001}}{4:
:20:ABPS/3/1/1
:21:ABPS103001
```

```
:11S:103
190929
:79:/CUST/Client error
:30:190929
:82A:ABPSEGCA
-}
```

camt.056: MX equivalent of MT192

```
<?xml version="1.0" encoding="UTF-8"?>
```

```
<!-- Application header -->
```

```
<AppHdr xmlns="urn:iso:std:iso:20022:tech:xsd:head.001.001.01">
```

```
<!-- Message Sender:-BP-->
```

```
<Fr>
  <FIld>
    <FinInstnId>
      <BICFI>ABPSEGCA</BICFI>
    </FinInstnId>
  </FIld>
</Fr>
```

```
<!-- Message Receiver : Buna-->
```

```
<To>
  <FIld>
    <FinInstnId>
      <BICFI>BUNNAEAA</BICFI>
    </FinInstnId>
  </FIld>
</To>
```

```
<!-- Message Reference -->
```

```
<BizMsgIdr>ABPSEGCR103001</BizMsgIdr>
```

```
<!-- Message Type -->
```

```
<MsgDefIdr>camt.056.001.08</MsgDefIdr>
```

```
<!-- Message Creation Date/Time-->
```

```
<CreDt>2019-09-29T19:16:00Z</CreDt>
```

```
</AppHdr>
```

```
<!-- Document -->
```

```
<Document xmlns="urn:iso:std:iso:20022:tech:xsd:camt.056.001.08">
  <FIToFIPmtCxlReq>
    <Assgnmt>
      <!-- Cancellation message unique reference -->
        <Id>ABPS/3/1/1</Id>
        <Assgnr>
          <!-- Cancellation message sender:
          BIC/pseudo-BIC. BICFI for SWIFT-registered participants. ClrSysMmbld/Mmbld for pseudo-BIC codes (non-swift registered) -->
            <Agt>
              <FinInstnId>
                <BICFI>ABPSEGCA</BICFI>
              </FinInstnId>
            </Agt>
          </Assgnr>
          <Assgne>
            <!-- Cancellation message receiver: BIC/pseudo-BIC of the RTGS system -->
              <Agt>
                <FinInstnId>
                  <BICFI>BUNNAEAA</BICFI>
                </FinInstnId>
              </Agt>
            </Assgne>
            <!-- Request creation date time -->
              <CreDtTm>2019-09-29T19:16:00+04:00</CreDtTm>
            </Assgnmt>
            <Undrlyg>
              <TxInf>
                <OrgnlGrpInf>
                  <!-- Original message id of payment to be cancelled -->
                    <OrgnlMsgId>ABPS/2/1/2</OrgnlMsgId>
                  <!-- Original message type of payment to be cancelled -->
                    <OrgnlMsgNmId>pacs.008.001.08</OrgnlMsgNmId>
                  <!-- Original message creation date-time of transfer to be cancelled -->
                    <OrgnlCreDtTm>2019-09-29T00:00:00+04:00</OrgnlCreDtTm>
                </OrgnlGrpInf>
              </TxInf>
            </Undrlyg>
          </Assgne>
        </Agt>
      </Assgnmt>
    </FIToFIPmtCxlReq>
  </Document>
```

```

    <OrgnlIntrBkSttlmDt>2019-09-29</OrgnlIntrBkSttlmDt>
    <Assgnr>
<!-- BIC/Pseudo-BIC of participant who sent the original transfer message.
BICFI for SWIFT-registered participants. ClrSysMmbld/Mmbld for pseudo-BIC codes (non-swift registered) -->
    <FinInstnId>
        <BICFI>ABPSEGCA</BICFI>
    </FinInstnId>
</Assgnr>
<!-- Cancellation reason information -->
    <CxlRsnInf>
        <Rsn>
            <Prtry>CUST</Prtry>
        </Rsn>
        <AddtlInf>Client error</AddtlInf>
    </CxlRsnInf>
</TxInf>
</Undrlyg>
</FIToFIPmtCxlReq>
</Document>

```

5.2 MTN96/CANC ≡ CAMT.029: CANCELLATION ANSWER MESSAGE

camt.029 is generated in response to related camt.056: Cancellation request message [5.1].

camt.029 can be translated to MTn96/CANC message.

Please refer to [1.11] for the description of the fields of message header which are not described in the table below.

Format of MTn96/CANC ≡ camt.029: Cancellation answer message

SWIFT Status	MT Field	Field Name	MT Format	Buna Status	Comment	Example	XPath in head.001 and camt.029
M	Block 2	Message type	3!n	M	MT: SWIFT message type. MX: MX message type	MT: 196 or 296 ≡ MX: camt.029.001.08	AppHdr + MsgDefldr Document AND

SWIFT Status	MT Field	Field Name	MT Format	Buna Status	Comment	Example	XPath in head.001 and camt.029
M	Header	Sender	4!a2!a2!c[3!c]	MA	BIC of Sender of the answer message (Buna)	BUNNAEAA	Document + RsltOfInvstgtn ++ Assgnmt +++ Assgnr ++++ Agt +++++ FinInstnId ++++++ BICFI
			4!a2!a2!c[3!c]	MA	Pseudo-BIC of Sender of the answer message (Buna)	BUNNAEAA	Document + RsltOfInvstgtn ++ Assgnmt +++ Assgnr ++++ Agt +++++ FinInstnId ++++++ ClrSysMmbld +++++++ Mmbld
M	Header	Receiver	4!a2!a2!c[3!c]	MA	BIC of Receiver of the answer message	ABPSEGCA	Document + RsltOfInvstgtn ++ Assgnmt +++ Assgne ++++ Agt +++++ FinInstnId ++++++ BICFI
			4!a2!a2!c[3!c]	MA	Pseudo-BIC of Receiver of the answer message	ABPNEGCA	Document + RsltOfInvstgtn ++ Assgnmt +++ Assgne ++++ Agt +++++ FinInstnId ++++++ ClrSysMmbld +++++++ Mmbld

SWIFT Status	MT Field	Field Name	MT Format	Buna Status	Comment	Example	XPath in head.001 and camt.029
M	20	Transaction Reference Number	16x	M	Unique reference assigned by the system	6457RW	Document + RsltOfInvstgtn ++ Assgnmt +++ Id
M	21	Related Reference	16x	M	Reference of the cancellation request.	ABPS/3/1/2/CANC	Document + RsltOfInvstgtn ++ CxlDtls +++ OrgnlGrpInfAndSts ++++ OrgnlMsgld
O	--	--	30x	M	Type of cancelation message	camt.056.001.08	Document + RsltOfInvstgtn ++ CxlDtls +++ OrgnlGrpInfAndSts ++++ OrgnlMsgNmld
M	76	Answers	4!a	M	Fixed value CANC	MT: CANC/1909291300+0400	--
			[/6!n4!n1!x4!n]		Time of cancellation request	MT: CANC/1909291300+0400 MX: 2019-09-29T13:00	AppHdr + Rltd ++ CreDt
			4a		Success CNCL Error RJCR	MT : CNCL/1909291300+0400 MX: CNCL	Document + RsltOfInvstgtn ++ Sts +++ Conf
			[/6!n4!n1!x4!n]		Time of status	MT: CNCL/1909291300+0400 ≡ MX: 2019-09-29T13:00	Document + RsltOfInvstgtn ++ Assgnmt +++ CreDtTm

SWIFT Status	MT Field	Field Name	MT Format	Buna Status	Comment	Example	XPath in head.001 and camt.029
O	77A	Narrative	35x	O	Code of error or warning	E435	Document + RsltOfInvstgtn ++ CxlDtls +++ TxInfAndSts ++++ CxlStsRsnInf +++++ Rsn ++++++ Prtry
			2*35x		Description of error or warning	Incorrect account	Document + RsltOfInvstgtn ++ CxlDtls +++ TxInfAndSts ++++ CxlStsRsnInf +++++ Addtlnf
O	11R	MT and Date of Original Message	3!n	O	Type of payment message to be cancelled: MT103 or MT102 ≡ MX: pacs.008; MT 202 ≡ MX: pacs.009 or pacs.004	MT: 103 ≡ MX: pacs.008.001.08 MT: 102 ≡ MX: pacs.008.001.08 MT: 202 ≡ MX: pacs.009.001.08	Document + RsltOfInvstgtn ++ CxlDtls +++ TxInfAndSts ++++ OrgnlGrpInf +++++ OrgnlMsgNmId
			6!n		Calendar date of original message	190929	Document + RsltOfInvstgtn ++ CxlDtls +++ TxInfAndSts ++++ OrgnlGrpInf +++++ OrgnlCreDtTm

SWIFT Status	MT Field	Field Name	MT Format	Buna Status	Comment	Example	XPath in head.001 and camt.029
O	20	Copy of at least the Mandatory Fields of the Original Message	16x	O	Reference of the original transfer	ABPSEGCR103001	Document + RsltOfInvstgtn ++ CxIDtls +++ TxInfAndSts ++++ OrgnlGrpInf +++++ OrgnlMsgld
	30		6!n	O	Value date of the transfer	190929	Document + RsltOfInvstgtn ++ CxIDtls +++ TxInfAndSts ++++ OrgnlIntrBkSttlmDt
	82A		4!a2!a2!c[3!c]	OA	BIC of Sender of the transfer	ABPSEGCA	Document + RsltOfInvstgtn ++ CxIDtls +++ TxInfAndSts ++++ Assgnr +++++ Agt +++++ FinInstnld +++++ BICFI
	82D		4!a2!a2!c[3!c]	OA	Pseudo-BIC of Sender of the transfer	ABPNEGCA	Document + RsltOfInvstgtn ++ CxIDtls +++ TxInfAndSts ++++ Assgnr +++++ Agt +++++ FinInstnld +++++ ClrSysMmbld +++++ Mmbld

Additional comments

Field :20: is a Transaction Reference Number of MTn96 generated by Buna.

Field :21: specifies Transaction Reference Number of related request message.

Field :76: specifies Type of Answer and the result of related request message. In case of Cancellation Answer message, this field may have the following values:

CANC	Payment is cancelled
CNCL	
CANC	Error occurs in request processing
RJCR	

First row (CANC) may be followed with the date/time indication of request processing.

Second row may be followed with the date/time indication of:

CNCL	Date/time when payment is cancelled
RJCR	Date/time when error occurs in request processing

Field :77A: may specifies explanation to the answer given in field :76:. Such explanation is given for the following types of answers:

CANC Error description
 RJCR

Field :77A: of MTn96 should contain the following rows:

1 row ErrorCode Code of an error/warning
 2 row ErrorDescription Description of an error /warning



3 row ErrorDetails Additional information related to an error/warning

3rd row is optional.

Field :11R: contains message type of related request message and date when this message was sent to Buna.

Copy of at least mandatory fields of the original message in the answer (if exists) includes the following fields: 20, 30 and 82a.

Please note. SWIFT does not validate the relationship between the copied field(s) and the original message. Even if not defined for the referenced message, any valid field except 77F or 77T (Error code(s): T13) is accepted as the "Copy of fields".

Field :20: specifies the reference of transfer to be cancelled.

Field :30: specifies the value date of transfer to be cancelled.

Field :82a: specifies the BIC/Pseudo-BIC of participant who issued the transfer to be cancelled.

Example 1

MT196: Successful cancellation notification

```
{1:F01ABPSEGCAXXXX}{2:O196BUNNAEAXXXN}{3:{108:1909290001000955}}{4:  
:20:R1812096/196  
:21:ABPS/3/1/2/CANC  
:76:CANC/1909291746+0400  
CNCL/1909291746+0400  
:11R:103  
190929  
:20:ABPS/2/1/2/1  
:30:190929  
:82A:ABPSEGCA  
-}
```

camt.029: MX equivalent of MT196

```
<?xml version="1.0" encoding="UTF-8"?>
```

```
<!-- Application header -->
<AppHdr xmlns="urn:iso:std:iso:20022:tech:xsd:head.001.001.01">
<!-- Message Sender:-Buna-->
  <Fr>
    <FIld>
      <FinInstnId>
        <BICFI>BUNNAEAA</BICFI>
      </FinInstnId>
    </FIld>
  </Fr>
<!-- Message Receiver : BP-->
  <To>
    <FIld>
      <FinInstnId>
        <BICFI>BBPSTNTT</BICFI>
      </FinInstnId>
    </FIld>
  </To>
<!-- Message Reference -->
  <BizMsgIdr>190929BUNNAEAAXXX0001000955</BizMsgIdr>
<!-- Message Type -->
  <MsgDefldr>camt.029.001.09</MsgDefldr>
<!-- Message Creation Date/Time-->
  <CreDt>2019-09-29T19:16:01Z</CreDt>

  <Rltd>
<!-- Message Sender:-BP-->
  <Fr>
    <FIld>
      <FinInstnId>
        <BICFI>ABPSEGCA</BICFI>
      </FinInstnId>
    </FIld>
  </Fr>
<!-- Message Receiver : Buna-->
  <To>
    <FIld>
```

```
        <FinInstnId>
          <BICFI>BUNNAEAA</BICFI>
        </FinInstnId>
      </Fld>
    </To>
  <!-- Message Reference -->
  <BizMsgLdr>ABPS/3/1/2/CANC</BizMsgLdr>
  <!-- Message Type -->
  <MsgDefldr>camt.056.001.07</MsgDefldr>
  <!-- Message Creation Date/Time-->
  <CreDt>2019-09-29T19:16:00Z</CreDt>
  </Rltd>
</AppHdr>
<!-- Document -->
<Document xmlns="urn:iso:std:iso:20022:tech:xsd:camt.029.001.09">
  <RsltOfInvstgtn>
    <Assgmt>
      <!-- Unique message identifier -->
      <Id>R1812094/196</Id>
      <!-- Party that assigns the case -->
      <Assgnr>
        <Agt>
          <FinInstnId>
            <BICFI>BUNNAEAA</BICFI>
          </FinInstnId>
        </Agt>
      </Assgnr>
      <!-- Party to which the case is assigned -->
      <Assgne>
        <Agt>
          <FinInstnId>
            <BICFI>ABPSEGCA</BICFI>
          </FinInstnId>
        </Agt>
      </Assgne>
      <!-- Creation date time -->
      <CreDtTm>2019-09-29T19:16:01+04:00</CreDtTm>
```

```
</Assgnmt>
<Sts>
<!-- Status -->
<!-- CNCL is used when a requested cancellation is successful. -->
  <Conf>CNCL</Conf>
</Sts>

  <CxlDtIs>
    <OrgnlGrplnfAndSts>
<!-- Reference of the request. -->
      <OrgnlMsgId>ABPS/3/1/2/CANC</OrgnlMsgId>
<!-- MX type of the request -->
      <OrgnlMsgNmId>camt.056.001.07</OrgnlMsgNmId>
<!-- Date/time of request -->
      <OrgnlCreDtTm>2019-09-29T19:16:00+04:00</OrgnlCreDtTm>
    </OrgnlGrplnfAndSts>
    <TxInfAndSts>
      <OrgnlGrplnf>
<!-- Reference of the transfer. -->
        <OrgnlMsgId>ABPS/3/1/1</OrgnlMsgId>
<!-- MX type of the transfer -->
        <OrgnlMsgNmId>pacs.008.001.08</OrgnlMsgNmId>
<!-- Date/time of transfer -->
        <OrgnlCreDtTm>2019-09-29T17:46:00+04:00</OrgnlCreDtTm>
      </OrgnlGrplnf>
<!-- Value date of the original payment message -->
      <OrgnlIntrBkSttlmDt>2019-09-29</OrgnlIntrBkSttlmDt>
<!-- Sender of transfer -->
      <Assgnr>
        <Agt>
          <FinInstnId>
            <BICFI>ABPSEGCA</BICFI>
          </FinInstnId>
        </Agt>
      </Assgnr>
    </TxInfAndSts>
```

```
</CxlDtls>  
</RsltnOfInvstgtn>  
</Document>
```

Example 2

MT196: Unsuccessful cancellation notification

```
{1:F01ABPSEGCAXXX}{2:O196BUNNAEAXXXN}{3:{108:1909290001000956}}{4:  
:20:R1812096/196  
:21:ABPS/3/1/2/CANC  
:76:CANC/1909292300+0400  
RJCR/1909292300+0400  
:77A:E430  
Payment is settled  
:11R:103  
190929  
:20:ABPS/2/1/2/1  
:30:190929  
:82A:ABPSEGCA  
-}
```

camt.029: MX equivalent of MT196

```
<?xml version="1.0" encoding="UTF-8"?>  
<!-- Application header -->  
<AppHdr xmlns="urn:iso:std:iso:20022:tech:xsd:head.001.001.01">  
<!-- Message Sender:-Buna-->  
<Fr>  
  <FIld>  
    <FinInstnId>  
      <BICFI>BUNNAEAA</BICFI>  
    </FinInstnId>  
  </FIld>  
</Fr>  
<!-- Message Receiver : BP-->  
<To>  
  <FIld>  
    <FinInstnId>  
      <BICFI>BBPSTNTT</BICFI>
```

```
</FinInstnId>
</FIld>
</To>
<!-- Message Reference -->
<BizMsgIdr>190929BUNNAEAAXXX0001000956</BizMsgIdr>
<!-- Message Type -->
<MsgDefldr>camt.029.001.09</MsgDefldr>
<!-- Message Creation Date/Time-->
<CreDt>2019-09-29T19:16:03Z</CreDt>
<Rltd>
<!-- Message Sender:-BP-->
<Fr>
  <FIld>
    <FinInstnId>
      <BICFI>BUNNAEAA</BICFI>
    </FinInstnId>
  </FIld>
</Fr>
<!-- Message Receiver : Buna-->
<To>
  <FIld>
    <FinInstnId>
      <BICFI>ABPSEGCA</BICFI>
    </FinInstnId>
  </FIld>
</To>
<!-- Message Reference -->
<BizMsgIdr>ABPS/3/1/2/CANC</BizMsgIdr>
<!-- Message Type -->
<MsgDefldr>camt.056.001.07</MsgDefldr>
<!-- Message Creation Date/Time-->
<CreDt>2019-09-29T19:16:00Z</CreDt>
</Rltd>
</AppHdr>
<!-- Document -->
<Document xmlns="urn:iso:std:iso:20022:tech:xsd:camt.029.001.09">
  <RsltnOfInvstgtn>
```



```
<Assgnmt>
<!-- Unique message identifier -->
  <Id>R1812094/196</Id>
<!-- Party that assigns the case -->
  <Assgnr>
    <Agt>
      <FinInstnId>
        <BICFI>ABPSEGCA</BICFI>
      </FinInstnId>
    </Agt>
  </Assgnr>
<!-- Party to which the case is assigned -->
  <Assgne>
    <Agt>
      <FinInstnId>
        <BICFI>BUNNAEAA</BICFI>
      </FinInstnId>
    </Agt>
  </Assgne>
<!-- Creation date time -->
  <CreDtTm>2019-09-29T19:16:03+04:00</CreDtTm>
</Assgnmt>
<Sts>
<!-- Status -->
<!-- CNCL is used when a requested cancellation is successful. RJCR is used when a requested cancellation is unsuccessful -->
  <Conf>RJCR</Conf>
</Sts>
  <CxlDtIs>
    <OrgnlGrpInfAndSts>
<!-- Reference of the request. -->
      <OrgnlMsgId>ABPS/3/1/2/CANC</OrgnlMsgId>
<!-- MX type of the request -->
      <OrgnlMsgNmId>camt.056.001.07</OrgnlMsgNmId>
<!-- Date/time of request -->
      <OrgnlCreDtTm>2019-09-29T19:16:00+04:00</OrgnlCreDtTm>
    </OrgnlGrpInfAndSts>
  </CxlDtIs>
  <TxInfAndSts>
```

```

    <OrgnlGrpInf>
<!-- Reference of the transfer -->
    <OrgnlMsgId>ABPS/3/1/1</OrgnlMsgId>
<!-- MX type of the transfer -->
    <OrgnlMsgNmId>pacs.008.001.08</OrgnlMsgNmId>
<!-- Date/time of transfer -->
    <OrgnlCreDtTm>2019-09-29T17:46:00+04:00</OrgnlCreDtTm>
</OrgnlGrpInf>
<!-- Error code and description-->
    <CxlStsRsnInf>
        <Rsn>
            <Prtry>E430</Prtry>
        </Rsn>
        <AddtlInf>Payment is settled</AddtlInf>
    </CxlStsRsnInf>
<!-- Value date of the original payment message -->
    <OrgnlIntrBkSttlmDt>2019-09-29</OrgnlIntrBkSttlmDt>
<!-- Sender of transfer -->
    <Assgnr>
        <Agt>
            <FinInstnId>
                <BICFI>ABPSEGCA</BICFI>
            </FinInstnId>
        </Agt>
    </Assgnr>
</TxInfAndSts>
</CxlDtIs>
</RsltnOfInvstgtn>
</Document>

```

6 CHANGING PRIORITY

6.1 MTN95/PRTY ≡ CAMT.087: CHANGE PRIORITY REQUEST

This message requests to change the priority of a related transfer sent to Buna earlier.

Message MT195 should be used for requests to MT103 and MT102 messages.

SWIFT Status	MT Field	Field Name	MT Format	Buna Status	Comment	Example	XPath in head.001 and camt.087
			4!a2!a2!c[3!c]	MA	Pseudo-BIC of Receiver of the request to change priority (Buna)	BUNNAEAA	Document + ReqToModfyPmt ++ Assgnmt +++ Assgne ++++ Agt +++++ FinInstnId ++++++ ClrSysMmbld +++++++ Mmbld
M	20	Transaction Reference Number	16x	M	Unique reference assigned by the system	567934QW	Document + ReqToModfyPmt ++ Assgnmt +++ Id
M	21	Related Reference	16x	M	Reference of the payment message	494931/DEV	Document + ReqToModfyPmt ++ Undrlyg +++ IntrBk ++++ OrgnlGrpInf +++++ OrgnlMsgld
M	75	Queries	4!a	M	PRTY fixed value	PRTY	--
O	77A	Narrative	4!n	M	New priority value	0020	Document + ReqToModfyPmt ++ Mod +++ PmtTpInf ++++ SvcLvl +++++ Prtry

SWIFT Status	MT Field	Field Name	MT Format	Buna Status	Comment	Example	XPath in head.001 and camt.087
O	11S	MT and Date of Original Message	3!n	M	Type of payment message which priority to be changed	MT: 102 ≡ MX : pacs.008.001.08 MT: 103 ≡ MX : pacs.008.001.08 MT: 202 ≡ MX : pacs.009.001.08 MT: 202 MX : pacs.004.001.09	Document + ReqToModfyPmt ++ Undrlyg +++ IntrBk ++++ OrgnlGrpInf +++++ OrgnlMsgNmId
			6!n	M	Calendar date of original message	190929	Document + ReqToModfyPmt ++ Undrlyg +++ IntrBk ++++ OrgnlGrpInf +++++ OrgnlCreDtTm
O	30	Copy of at least the Mandatory Fields of the Original Message	6!n	M	Value date of the transfer which priority should be changed	190929	Document + ReqToModfyPmt ++ Undrlyg +++ IntrBk ++++ OrgnlIntrBkSttlmDt
	82A		4!a2!a2!c[3!c]	MA	BIC of Sender of the transfer which priority should be changed	ABPSEGCA	Document + ReqToModfyPmt ++ InstrForAssgne +++ InstrInf

SWIFT Status	MT Field	Field Name	MT Format	Buna Status	Comment	Example	XPath in head.001 and camt.087
	82D		4!a2!a2!c[3!c]	MA	Pseudo-BIC of Sender of the transfer which priority should be changed	ABPNEGCA	Document + ReqToModifyPmt ++ InstrForAssgne +++ InstrInf
	32B		3!c15d	M	Transfer amount.	MX: Ccy="AED" 650.99	Document + ReqToModifyPmt ++ Undrlyg +++ IntrBk ++++ OrgnlIntrBkSttlmAmt

Additional comments

Field :20: is a Transaction Reference Number.

Field :21: contains Transaction Reference Number of related transfer.

Field :75: contains Type of Request. In case of this type message, this field has the value of "PRTY".

Field :77A: contains Banking priority that should be assigned to the related transfer.

Field :11S: contains message type of related transfer and date when the message was sent to Buna.

Copy of at least mandatory fields of the original message in the answer (if exists) includes the following fields: 30, 82a and 32B.

Please note. SWIFT does not validate the relationship between the copied field(s) and the original message. Even if not defined for the referenced message, any valid field except 77F or 77T (Error code(s): T13) is accepted as the "Copy of fields".

Field :30: specifies the value date of transfer which priority to be changed.

Field :82a: specifies the BIC/Pseudo-BIC of participant who issued the transfer which priority to be changed.

Field :32B: specifies the amount of transfer which priority to be changed.

Example

MT195/PRTY: Change Priority message

```
{1:F01ABPSEGCAAXXX}{2:I195BUNNAEAXXXXN}{3:{108:ABPS/3/1/2/PRTY}}{4:  
:20:ABPS/3/1/2/PRTY  
:21:ABPS/2/1/2  
:75:PRTY  
:77A:0010  
:11S:103  
190929  
:30:190929  
:82A:ABPSEGCA  
:32B:AED650,99  
-}
```

camt.087: MX equivalent of MT195/PRTY

```
<?xml version="1.0" encoding="UTF-8"?>  
<!-- Application header -->  
<AppHdr xmlns="urn:iso:std:iso:20022:tech:xsd:head.001.001.01">  
<!-- Message Sender:-BP-->  
<Fr>  
  <FIld>  
    <FinInstnId>  
      <BICFI>ABPSEGCA</BICFI>  
    </FinInstnId>  
  </FIld>  
</Fr>  
<!-- Message Receiver : Buna-->  
<To>  
  <FIld>  
    <FinInstnId>  
      <BICFI>BUNNAEAA</BICFI>  
    </FinInstnId>  
  </FIld>  
</To>  
<!-- Message Reference -->
```

```
<BizMsgLdr>ABPS/3/1/2/PRTY</BizMsgLdr>
<!-- Message Type -->
<MsgDefLdr>camt.087.001.06</MsgDefLdr>
<!-- Message Creation Date/Time-->
<CreDt>2019-09-29T19:16:00Z</CreDt>
</AppHdr>

<!-- Document -->
<Document xmlns="urn:iso:std:iso:20022:tech:xsd:camt.087.001.06">
  <ReqToModifyPmt>
    <Assgnmt>
      <!-- Change priority message Unique identifier -->
        <Id>ABPS/3/1/2/PRTY</Id>
        <Assgnr>
          <Agt>
            <FinInstnId>
              <!-- Participant who is sender of the request -->
                <BICFI>ABPSEGCA</BICFI>
              </FinInstnId>
            </Agt>
          </Assgnr>
          <Assgne>
            <Agt>
              <FinInstnId>
                <!-- Change priority message receiver: BIC/pseudo-BIC of the RTGS system -->
                  <BICFI>BUNNAEAA</BICFI>
                </FinInstnId>
              </Agt>
            </Assgne>
          </Assgnmt>
          <CreDtTm>2019-09-29T19:16:00+04:00</CreDtTm>
          <Undrlyg>
            <IntrBk>
              <OrgnlGrplnf>
```



```
<!-- Original message id of the transfer which priority is changed -->
  <OrgnlMsgId>ABPS/2/1/2</OrgnlMsgId>

<!-- MX type of the original transfer which payment priority is changed -->
  <OrgnlMsgNmId>pacs.008.001.08</OrgnlMsgNmId>

<!-- Date/time of original payment message -->
  <OrgnlCreDtTm>2019-09-29T17:44:00+04:00</OrgnlCreDtTm>
</OrgnlGrpInf>

<!-- Amount taken from original payment message -->
  <OrgnlIntrBkSttlmAmt Ccy="AED">650.99</OrgnlIntrBkSttlmAmt>

<!-- Value date of the original transfer -->
  <OrgnlIntrBkSttlmDt>2019-09-29</OrgnlIntrBkSttlmDt>
  </IntrBk>
</Undrlyg>

  <Mod>
<!-- New priority -->
  <PmtTpInf>
    <SvcLvl>
      <Prtry>0010</Prtry>
    </SvcLvl>
  </PmtTpInf>
</Mod>
  <InstrForAssgne>
<!-- BIC/pseudo-BIC of Original payment message Sender. BICFI for SWIFT-registered participants.
ClrSysMmbld/Mmbld for pseudo-BIC codes (non-swift registered) -->
    <InstrInf>ABPSEGCA</InstrInf>
  </InstrForAssgne>
</ReqToModfyPmt>
</Document>
```

6.2 MTN96/PRTY ≡ CAMT.029: CHANGE PRIORITY ANSWER MESSAGE

Camt.029 is generated in response to related Change Priority (camt.087) request message.

The received camt.029 can be translated to MTn96/PRTY message.

Please refer to [1.11] for the description of the fields of message header which are not described in the table below.

Format of MTn96/PRTY ≡ camt.029: Change priority answer message.

SWIFT Status	MT Field	Field Name	MT Format	Buna Status	Comment	Example	XPath in head.001 and camt.029
M	Block 2	Message type	3!n	M	MT: SWIFT message type. MX: MX message type	MT: 196 or 296 ≡ MX: camt.029.001.09	AppHdr + MsgDefldr Document AND
M	Header	Sender	4!a2!a2!c[3!c]	MA	BIC of Sender of the answer message (Buna)	BUNNAEAA	Document + RsltOfInvstgtn ++ Assgnmt +++ Assgnr ++++ Agt +++++ FinInstnId +++++ BICFI
			4!a2!a2!c[3!c]	MA	Pseudo-BIC of Sender of the answer message (Buna)	BUNNAEAA	Document + RsltOfInvstgtn ++ Assgnmt +++ Assgnr ++++ Agt +++++ FinInstnId +++++ ClrSysMmbld +++++ Mmbld
M	Header	Receiver	4!a2!a2!c[3!c]	MA	BIC of Receiver of the answer message	ABPSEGCA	Document + RsltOfInvstgtn ++ Assgnmt +++ Assgne ++++ Agt +++++ FinInstnId +++++ BICFI

SWIFT Status	MT Field	Field Name	MT Format	Buna Status	Comment	Example	XPath in head.001 and camt.029
			4!a2!a2!c[3!c]	MA	Pseudo-BIC of Receiver of the answer message	ABPNEGCA	Document + RsltnOfInvstgtn ++ Assgnmt +++ Assgne ++++ Agt +++++ FinInstnId ++++++ ClrSysMmbld +++++++ Mmbld
M	20	Transaction Reference Number	16x	M	Unique reference assigned by the system	6457RW	Document + RsltnOfInvstgtn ++ Assgnmt +++ Id
M	21	Related Reference	16x	M	Reference of the change priority request.	ABPS/3/1/2/PRTY	Document + RsltnOfInvstgtn ++ ModDtIs +++ ModStsRsnInf ++++ AddtlInf
			--	M	RREF keyword	MX: RREF	Document + RsltnOfInvstgtn ++ ModDtIs +++ ModStsRsnInf ++++ Rsn +++++ Prtry
--	--	--	--	M	Type of change priority message	MX: camt.087.001.06	Document + RsltnOfInvstgtn ++ ModDtIs +++ ModStsRsnInf ++++ AddtlInf

SWIFT Status	MT Field	Field Name	MT Format	Buna Status	Comment	Example	XPath in head.001 and camt.029
			--	M	RNAM keyword	MX: RNAM	Document + RsltOfInvstgtn ++ ModDtIs +++ ModStsRsnInf ++++ Rsn +++++ Prtry
--	--	--	--	M	Sender of change priority message	MX: ABPSEGCA	Document + RsltOfInvstgtn ++ ModDtIs +++ ModStsRsnInf ++++ AddtlInf
			--	M	RSND keyword	MX: RSND	Document + RsltOfInvstgtn ++ ModDtIs +++ ModStsRsnInf ++++ Rsn +++++ Prtry
M	76	Answers	4!a	M	Fixed value PRTY	MT: PRTY/1909291300+0400	--
			/6!n4!n1!x4!n	O	Time of change priority request	MT: PRTY/1909291300+0400 MX: 2019-09-29T13:00:00+04:00	Document + RsltOfInvstgtn ++ ModDtIs +++ ModStsRsnInf ++++ AddtlInf
			--	O	RDAT keyword	MX: RDAT	Document + RsltOfInvstgtn ++ ModDtIs +++ ModStsRsnInf ++++ Rsn +++++ Prtry

SWIFT Status	MT Field	Field Name	MT Format	Buna Status	Comment	Example	XPath in head.001 and camt.029
			4!n	M	<u>Success</u> New priority value	MT: 0020/1909291300+0400 MX: 0020	Document + RsltnOfInvstgtn ++ ModDtIs +++ OrgnlTxRef ++++ PmtTpInf +++++ SvcLvl ++++++ Prtry
			4!c	MA	MX: Fixed value MODI	MODI	Document + RsltnOfInvstgtn ++ Sts +++ Conf
			4!c	MA	<u>Error</u> MT: <u>ERRC</u> ≡ MX: UM02	UM02	Document + RsltnOfInvstgtn ++ Sts +++ RjctdMod ++++ Cd
			[/6!n4!n1!x4!n]	M	Time of status	MT: 0020/1909291300+0400 MX: 2019-09- 29T13:00:00+04:00	Document + RsltnOfInvstgtn ++ Assgnmt +++ CreDtTm
O	77A	Narrative	35x	O	Code of error or warning	EP35	Document + RsltnOfInvstgtn ++ ModDtIs +++ ModStsRsnInf ++++ Rsn +++++ Prtry
			2*35x	O	Description of error or warning	Pyment not found	Document + RsltnOfInvstgtn ++ ModDtIs +++ ModStsRsnInf ++++ AddtlInf

SWIFT Status	MT Field	Field Name	MT Format	Buna Status	Comment	Example	XPath in head.001 and camt.029
O	11R	MT and Date of Original Message	3!n	O	Type of payment message which priority is changed. MT103 or MT102 ≡ MX: pacs.008; MT 202 ≡ MX: pacs.009 or pacs.004	MT: 103 ≡ MX: pacs.008.001.08 MT: 202 ≡ MX: pacs.009.001.08	Document + RsltOfInvstgtn ++ ModDtIs +++ OrgnlGrpInf ++++ OrgnlMsgNmId
			6!n	O	Calendar date of original message	190929	Document + RsltOfInvstgtn ++ ModDtIs +++ OrgnlGrpInf ++++ OrgnlCreDtTm
O	20	Copy of at least the Mandatory Fields of the Original Message	16x	O	Reference of the original transfer	ABPSEGCR103001	Document + RsltOfInvstgtn ++ ModDtIs +++ OrgnlGrpInf ++++ OrgnlMsgId
	30		6!n	O	Value date of the transfer which priority should be changed	190929	Document + RsltOfInvstgtn ++ ModDtIs +++ OrgnlIntrBkSttlmDt
	82A		4!a2!a2!c[3!c]	OA	BIC of Sender of the transfer which priority should be changed	ABPSEGCA	Document + RsltOfInvstgtn ++ ModDtIs +++ Assgnr ++++ Agt +++++ FinInstnId ++++++ BICFI

SWIFT Status	MT Field	Field Name	MT Format	Buna Status	Comment	Example	XPath in head.001 and camt.029
	82D		4!a2!a2!c[3!c]	OA	Pseudo-BIC of Sender of the transfer which priority should be changed	ABPNEGCA	Document + RsltOfInvstgtn ++ ModDtIs +++ Assgnr ++++ Agt +++++ FinInstnId ++++++ ClrSysMmbld +++++++ Mmbld

Field :20: is a Transaction Reference Number of MTn96 generated by Buna.

Field :21: contains Transaction Reference Number of related request message.

Field :76: contains Type of Answer and the result of related request message. In case of such answer message, this field may have the following values:

PRTY <banking priority>	Priority of payment is changed
PRTY ERRC	Error occurs in changing the payment priority

First row (PRTY) may be followed with the date/time indication of request processing.

Second row may be followed with the date/time indication of:

OK <banking priority>	Date/time when priority of payment is changed
ERRC	Date/time when error occurs in changing the payment priority

Field :77A: may contain explanation to the answer given in field :76:. This explanation is given for the following types of answers:



PRTY Error description
ERRC

Field :77A: of MTn96 should contain the following rows:

1 row	ErrorCode	Code of an error/warning
2 row	ErrorDescription	Description of an error /warning
3 row	ErrorDetails	Additional information related to an error/warning

3rd row is optional.

Field :11R: contains message type of related request message and date when this message was sent to Buna.

Copy of at least mandatory fields of the original message in the answer (if exists) includes the following fields: 20, 30 and 82a.

Please note. SWIFT does not validate the relationship between the copied field(s) and the original message. Even if not defined for the referenced message, any valid field except 77F or 77T (Error code(s): T13) is accepted as the "Copy of fields".

Field :20: specifies the reference of transfer which priority is changed.

Field :30: specifies the value date of transfer which priority is changed.

Field :82a: specifies the BIC/Pseudo-BIC of participant who issued the transfer which priority is changed.

Example 1

MT196: Change priority answer message (success)

```
{1:F01ABPSEGCAXXX}{2:O196BUNNAEAAXXXN}{3:{108:1909290001000957}}{4:  
:20:R1812094/196  
:21:ABPS/3/1/2/PRTY  
:76:PRTY/1909291744+0400  
0010/1909291744+0400  
:11R:103
```



```
190929
:20:ABPS/2/1/2/1
:30:190929
:82A:ABPSEGCA
-}
```

camt.029: MX equivalent of MT196

```
<?xml version="1.0" encoding="UTF-8"?>
<!-- Application header -->
<AppHdr xmlns="urn:iso:std:iso:20022:tech:xsd:head.001.001.01">
<!-- Message Sender:-Buna-->
  <Fr>
    <FIld>
      <FinInstnId>
        <BICFI>BUNNAEAA</BICFI>
      </FinInstnId>
    </FIld>
  </Fr>
<!-- Message Receiver : BP-->
  <To>
    <FIld>
      <FinInstnId>
        <BICFI>ABPSEGCA</BICFI>
      </FinInstnId>
    </FIld>
  </To>
<!-- Message Reference -->
  <BizMsgIdr>190929BUNNAEAAXXX0001000957</BizMsgIdr>
<!-- Message Type -->
  <MsgDefIdr>camt.029.001.09</MsgDefIdr>
<!-- Message Creation Date/Time-->
  <CreDt>2019-09-29T19:16:04Z</CreDt>

  <Rltd>
<!-- Message Sender:-BP-->
  <Fr>
```

```
<FIld>
  <FinInstnId>
    <BICFI>ABPSEGCA</BICFI>
  </FinInstnId>
</FIld>
</Fr>
<!-- Message Receiver : Buna-->
<To>
  <FIld>
    <FinInstnId>
      <BICFI>BUNNAEAA</BICFI>
    </FinInstnId>
  </FIld>
</To>
<!-- Message Reference -->
<BizMsgldr>ABPS/3/1/2/PRTY</BizMsgldr>
<!-- Message Type -->
<MsgDefldr>camt.087.001.06</MsgDefldr>
<!-- Message Creation Date/Time-->
<CreDt>2019-09-29T19:16:00Z</CreDt>
</Rltd>
</AppHdr>
<!-- Document -->
<Document xmlns="urn:iso:std:iso:20022:tech:xsd:camt.029.001.09">
  <RsltnOfInvstgtn>
    <Assgnmt>
      <!-- Unique message identifier -->
      <Id>R1812094/196</Id>
      <!-- Party that assigns the case -->
      <Assgnr>
        <Agt>
          <FinInstnId>
            <BICFI>BUNNAEAA</BICFI>
          </FinInstnId>
        </Agt>
      </Assgnr>
```

<!-- Party to which the case is assigned -->

```
<Assgne>
  <Agt>
    <FinInstnId>
      <BICFI>ABPSEGCA</BICFI>
    </FinInstnId>
  </Agt>
</Assgne>
```

<!-- Creation date time -->

```
<CreDtTm>2019-09-29T19:16:04+04:00</CreDtTm>
</Assgnmt>
<Sts>
```

<!-- Status -->

```
<Conf>MODI</Conf>
</Sts>
<ModDtIs>
  <OrgnlGrpInf>
```

<!-- Original payment message identifier -->

```
<OrgnlMsgId>ABPS/2/1/2/1</OrgnlMsgId>
```

<!-- Type of payment message -->

```
<OrgnlMsgNmId>pacs.008.001.08</OrgnlMsgNmId>
```

<!-- Date and time of payment message -->

```
<OrgnlCreDtTm>2019-09-29T17:44:00+04:00</OrgnlCreDtTm>
</OrgnlGrpInf>
```

```
<ModStsRsnInf>
```

<!-- RSND Sender of camt.087 -->

```
<Rsn>
  <Prtry>RSND</Prtry>
</Rsn>
```

<!-- BIC/Pseudo-BIC of Sender -->

```
<AddtlInf>ABPSEGCA</AddtlInf>
</ModStsRsnInf>
```

```
<ModStsRsnInf>
```

<!-- Date of camt.087 -->

```
<Rsn>
```

```
        <Prtry>RDAT</Prtry>
      </Rsn>
<!-- Date/time of request -->
      <AddtlInf>2019-09-29T17:44:00+04:00</AddtlInf>
    </ModStsRsnInf>

    <ModStsRsnInf>
<!-- Reference of camt.087 -->
      <Rsn>
        <Prtry>RREF</Prtry>
      </Rsn>
<!--Request id -->
      <AddtlInf>ABPS/3/1/2/PRTY</AddtlInf>
    </ModStsRsnInf>

    <ModStsRsnInf>
<!-- Reference of camt.087 -->
      <Rsn>
        <Prtry>RNAM</Prtry>
      </Rsn>
<!-- BIC/Pseudo-BIC of Sender -->
      <AddtlInf>camt.087.001.06</AddtlInf>
    </ModStsRsnInf>

<!-- Interbank settlement date -->
    <OrgnlIntrBkSttlmDt>2019-09-29</OrgnlIntrBkSttlmDt>
<!-- Sender of transfer -->
  <Assgnr>
    <Agt>
      <FinInstnId>
        <BICFI>ABPSEGCA</BICFI>
      </FinInstnId>
    </Agt>
  </Assgnr>
  <OrgnlTxRef>
    <PmtTpInf>
      <SvcLvl>
```

```
<!-- New priority value -->
      <Prtry>0010</Prtry>
    </SvcLvl>
  </PmtTplnf>
</OrgnlTxRef>
</ModDtIs>
</RsltnOfInvstgtn>
</Document>
```

Example 2

MT196: Change priority answer message (error)

```
{1:F01BUNNAEAXXX}{2:O196ABPSEGCAXXXN}{3:{108:1909290001000958}}{4:
:20:987654ST
:21:567934QW
:76:PRTY/1909292300+0400
ERRC/1909291706+0400
:77A:E430
Payment has been settled
:11R:103
190929
:20:ABPS/2/1/2/1
:30:190929
:82A:ABPSEGCA
-}
```

camt.029: MX equivalent of MT196

```
<?xml version="1.0" encoding="UTF-8"?>
<!-- Application header -->
<AppHdr xmlns="urn:iso:std:iso:20022:tech:xsd:head.001.001.01">
<!-- Message Sender:-Buna-->
  <Fr>
    <FIId>
      <FinInstnId>
        <BICFI>BUNNAEAA</BICFI>
      </FinInstnId>
```

```
</FIld>
</Fr>
<!-- Message Receiver : BP-->
<To>
  <FIld>
    <FinInstnId>
      <BICFI>ABPSEGCA</BICFI>
    </FinInstnId>
  </FIld>
</To>
<!-- Message Reference -->
<BizMsglDr>190929BUNNAEAAXXX0001000958</BizMsglDr>
<!-- Message Type -->
<MsgDefldr>camt.029.001.09</MsgDefldr>
<!-- Message Creation Date/Time-->
<CreDt>2019-09-29T19:16:05Z</CreDt>

<Rltd>
<!-- Message Sender:-BP-->
  <Fr>
    <FIld>
      <FinInstnId>
        <BICFI>ABPSEGCA</BICFI>
      </FinInstnId>
    </FIld>
  </Fr>
<!-- Message Receiver : Buna-->
<To>
  <FIld>
    <FinInstnId>
      <BICFI>BUNNAEAA</BICFI>
    </FinInstnId>
  </FIld>
</To>
<!-- Message Reference -->
<BizMsglDr>ABPS/3/1/2/PRTY</BizMsglDr>
<!-- Message Type -->
```

```
<MsgDefldr>camt.087.001.06</MsgDefldr>
<!-- Message Creation Date/Time-->
  <CreDt>2019-09-29T19:16:00Z</CreDt>
  </Rltd>
</AppHdr>
<!-- Document -->
<Document xmlns="urn:iso:std:iso:20022:tech:xsd:camt.029.001.09">
  <RsltOfInvstgtn>
    <Assgnmt>
      <!-- Unique message identifier -->
        <Id>987654ST</Id>
      <!-- Party that assigns the case -->
        <Assgnr>
          <Agt>
            <FinInstnId>
              <BICFI>BUNNAEAA</BICFI>
            </FinInstnId>
          </Agt>
        </Assgnr>
      <!-- Party to which the case is assigned -->
        <Assgne>
          <Agt>
            <FinInstnId>
              <BICFI>ABPSEGCA</BICFI>
            </FinInstnId>
          </Agt>
        </Assgne>
      <!-- Creation date time -->
        <CreDtTm>2019-09-29T19:16:05+04:00</CreDtTm>
      </Assgnmt>
      <Sts>
        <!-- Rejection modification code -->
          <RjctdMod>
            <Cd>UM02</Cd>
          </RjctdMod>
        </Sts>
      <ModDtIs>
```

```
<OrgnlGrpInf>
<!-- Original payment message identifier -->
  <OrgnlMsgId>ABPS/2/1/2/1</OrgnlMsgId>
<!-- Type of payment message -->
  <OrgnlMsgNmId>pacs.008.001.08</OrgnlMsgNmId>
<!-- Date and time of payment message -->
  <OrgnlCreDtTm>2019-09-29T17:44:00+04:00</OrgnlCreDtTm>
</OrgnlGrpInf>
<ModStsRsnInf>
<!-- Code of error or warning -->
  <Rsn>
    <Prtry>E430</Prtry>
  </Rsn>
<!-- Additional information about error or warning -->
  <AddtlInf>Payment has been settled</AddtlInf>
</ModStsRsnInf>
<ModStsRsnInf>
<!-- RSND Sender of camt.087 -->
  <Rsn>
    <Prtry>RSND</Prtry>
  </Rsn>
<!-- BIC/Pseudo-BIC of Sender -->
  <AddtlInf>ABPSEGCA</AddtlInf>
</ModStsRsnInf>
<ModStsRsnInf>
<!-- Date of camt.087 -->
  <Rsn>
    <Prtry>RDAT</Prtry>
  </Rsn>
<!-- Date/time of request -->
  <AddtlInf>2019-09-29T17:44:00+04:00</AddtlInf>
</ModStsRsnInf>
<ModStsRsnInf>
<!-- Reference of camt.087 -->
  <Rsn>
```



```

        <Prtry>RREF</Prtry>
      </Rsn>
<!-- Request id -->
      <AddtlInf>ABPS/3/1/2/PTY</AddtlInf>
    </ModStsRsnInf>
  <ModStsRsnInf>
<!-- Reference of camt.087 -->
    <Rsn>
      <Prtry>RNAM</Prtry>
    </Rsn>
<!-- BIC/Pseudo-BIC of Sender -->
      <AddtlInf>camt.087.001.06</AddtlInf>
    </ModStsRsnInf>
<!-- Interbank settlement date -->
      <OrgnlIntrBkSttlmDt>2019-09-29</OrgnlIntrBkSttlmDt>
<!-- Sender of transfer -->
    <Assgnr>
      <Agt>
        <FinInstnId>
          <BICFI>ABPSEGCA</BICFI>
        </FinInstnId>
      </Agt>
    </Assgnr>
  </ModDtIs>
</RsltnOfInvstgtn>
</Document>

```

7 REQUESTING ACCOUNT BALANCE

7.1 MT920/941 ≡ CAMT.060/BALR: BALANCE REQUEST MESSAGE

This message requests the balance of any Buna account.

Please refer to [1.11] for the description of the fields of message header which are not described in the table below.

Format of MT920/941 ≡ camt.060/BALR: Balance request message.

SWIFT Status	MT Field	Field Name	MT Format	Buna Status	Comment	Example	Xpath in head.001 and camt.060
M	Block 2	Message type	3!n	M	MT:SWIFT message type. MX: MX message type	MT: 920 MX: camt.060.001.05	AppHdr + MsgDefldr Document AND
M	20	Transaction Reference Number	16x	M	Unique reference assigned by the Sender	456789RM	Document + AcctRptgReq ++ GrpHdr +++ MsgId
M	12	Message requested	3!n	M	Requested report message type	MT : 941 MX: camt.052/BALR	Document + AcctRptgReq ++ RptgReq +++ ReqdMsgNmId
M	25	Account Identification	35x	M	Account number	123456789	Document + AcctRptgReq ++ RptgReq +++ Acct ++++ Id +++++ Othr ++++++ Id
M	--	--	--	MA	Owner of the account: SWIFT-registered participant	MX: AAAKWKW	Document + AcctRptgReq ++ RptgReq +++ AcctOwnr ++++ Agt +++++ FinInstnId ++++++ BICFI

SWIFT Status	MT Field	Field Name	MT Format	Buna Status	Comment	Example	Xpath in head.001 and camt.060
			--	MA	Owner of the account: SWIFT-non-registered participant. If it is impossible to specify account owner, use NOTPROVIDED fixed value in MX message	MX: NOTPROVIDED	Document + AcctRptgReq ++ RptgReq +++ AcctOwnr ++++ Agt +++++ FinInstnId ++++++ ClrSysMmbld +++++++ Mmbld

Example

MT920 that Requests MT941

```
{1:F01ABPSEGCAAXXX}{2:I920BUNNAEAAXXXN}{3:{108:ABPS/3/2/2/941}}{4:
:20:ABPS/3/2/2/941
:12:941
:25:ABPSEGCASA
-}
```

MX equivalent of the MT920

```
<?xml version="1.0" encoding="utf-8"?>
<!-- Application header -->
<AppHdr xmlns="urn:iso:std:iso:20022:tech:xsd:head.001.001.01">
<!-- Message Sender: BP -->
  <Fr>
    <FIId>
      <FinInstnId>
        <BICFI>ABPSEGCA</BICFI>
      </FinInstnId>
    </FIId>
  </Fr>
<!-- Message Receiver: Buna -->
  <To>
    <FIId>
```

```
<FinInstnId>
  <BICFI>BUNNAEAA</BICFI>
</FinInstnId>
</FIld>
</To>
<!-- Related Message Reference -->
  <BizMsgId>ABPS/3/2/2/941</BizMsgId>
<!-- Related Message Type -->
  <MsgDefId>camt.060.001.05</MsgDefId>
<!-- Related Message Creation Date/Time-->
  <CreDt>2019-09-29T16:35:00Z</CreDt>
</AppHdr>
<!-- Document -->
<Document xmlns="urn:iso:std:iso:20022:tech:xsd:camt.060.001.05">
  <AcctRptgReq>
    <GrpHdr>
      <!-- Unique message identifier assigned by the message Sender -->
        <MsgId>ABPS/3/2/2/941</MsgId>
      <!-- Message creation date time -->
        <CreDtTm>2019-09-29T16:35:00+04:00</CreDtTm>
      </GrpHdr>
      <RptgReq>
        <!-- Type of the requested report -->
          <ReqdMsgNmId>camt.052/BALR</ReqdMsgNmId>
        <!-- Account related to the request -->
          <Acct>
            <Id>
              <Othr>
                <Id>ABPSEGCASA</Id>
              </Othr>
            </Id>
          </Acct>
          <!-- Owner of the account related to the request -->
            <AcctOwnr>
              <Agt>
                <FinInstnId>
```

```

        <ClrSysMmbld><Mmbld>NOTPROVIDED</Mmbld></ClrSysMmbld>
      </FinInstnId>
    </Agt>
  </AcctOwnr>
</RptgReq>
</AcctRptgReq>
</Document>

```

7.2 MT941 ≡ CAMT.052/BALR: BALANCE REPORT MESSAGE

This message is sent as reply to request for balance report [7.1].

Please refer to [1.11] for the description of the fields of message header which are not described in the table below.

Format of MT941 ≡ camt.052/BALR: Balance Report.

SWIFT Status	MT Field	Field Name	MT Format	Buna Status	Comment	Example	Xpath in head.001 and camt.052
M	Block 2	Message type	3!n	M	MT:SWIFT message type. MX: MX message type	MT: 941 ≡ MX: camt.052.001.08	AppHdr + MsgDefldr Document AND
M	20	Transaction Reference Number	16x	M	Unique reference assigned by the system	454545SM	Document + BkToCstmrAcctRpt ++ GrpHdr +++ MsgId
O	21	Related reference	16x	O	Reference of the request (MT920)	ABPS/3/2/2/941	Document + BkToCstmrAcctRpt ++ GrpHdr +++ OrgnlBizQry ++++ MsgId

SWIFT Status	MT Field	Field Name	MT Format	Buna Status	Comment	Example	Xpath in head.001 and camt.052
M	25	Account Identification	35x	M	Code of account which balance is reported	123456789	Document + BkToCstmrAcctRpt ++ Rpt +++ Acct ++++ Id +++++ Othr ++++++ Id
M	28	Statement Number/ Sequence Number	5n	M	Each new statement is assigned a statement number increased by 1 from the previous statement number.	MT: 233/1 MX: 233	Document + BkToCstmrAcctRpt ++ Rpt +++ ElectrncSeqNb
			[/3n]	O	Sequence Number if statement is split in two or more messages	MT: 233/1 MX: 1	Document + BkToCstmrAcctRpt ++ Rpt +++ RptPgntn ++++ PgNb
			--	O	Last page indicator in MX: <ul style="list-style-type: none"> • true: the message is the only or the last in the sequence; • false otherwise. 	MX: true	Document + BkToCstmrAcctRpt ++ Rpt +++ RptPgntn ++++ LastPgInd

SWIFT Status	MT Field	Field Name	MT Format	Buna Status	Comment	Example	Xpath in head.001 and camt.052
O	13D	Date/Time Indication	6!n4!n1!x4!n	O	Date/Time of message creation	MT: 1909291635+0400 MX: 2019-09-29T16:35:00+04:00	Document + BkToCstmrAcctRpt ++ GrpHdr +++ CreDtTm
O	60F	Opening Balance	--	O	Balance type : MT: open balance ≡ MX: PRCD – Previous booked: balance at start of day	MX: PRCD	Document + BkToCstmrAcctRpt ++ Rpt +++ Bal ++++ Tp +++++ CdOrPrtry +++++ Cd
			1!a	M	MT: C — Credit ≡ MX: CRDT MT: D — Debit ≡ MX: DBIT	MT: C190929AED595771,00 MX: CRDT	Document + BkToCstmrAcctRpt ++ Rpt +++ Bal ++++ CdtDbtInd
			6!n	M	Date	MT: C190929AED595771,00 MX: 2019-09-29	Document + BkToCstmrAcctRpt ++ Rpt +++ Bal ++++ Dt +++++ Dt
			3!a15d	M	Amount	MT: C190929AED595771,00 MX: Ccy="AED" 595771.00	Document + BkToCstmrAcctRpt ++ Rpt +++ Bal ++++ Amt

SWIFT Status	MT Field	Field Name	MT Format	Buna Status	Comment	Example	Xpath in head.001 and camt.052
O	90D	Number and Sum of Entries	5n	O	The number of the settled transfers that debit the account	MT: 72AED385920 , MX: 72	Document + BkToCstmrAcctRpt ++ Rpt +++ TxSummry ++++ TtlDbtNtries +++++ NbOfNtries
			3!a15d		Currency and total sum of the settled transfers that debit the account	MT: 72AED385920 , MX: Ccy="AED" 385920.	Document + BkToCstmrAcctRpt ++ Rpt +++ TxSummry ++++ TtlDbtNtries +++++ Sum
O	90C	Number and Sum of Entries	5n	O	The number of the settled transfers that debit the account	MT: 44AED450000 , MX: 44	Document + BkToCstmrAcctRpt ++ Rpt +++ TxSummry ++++ TtlCdtNtries +++++ NbOfNtries
			3!a15d		Currency and total sum of the settled transfers that credit the account	MT: 44AED450000 , MX: Ccy="AED" 450000.	Document + BkToCstmrAcctRpt ++ Rpt +++ TxSummry ++++ TtlCdtNtries +++++ Sum
M	62F	Book balance		M	MT: closing booked balance ≡ MX: CLBD – interim booked	MX: CLBD	Document + BkToCstmrAcctRpt ++ Rpt +++ Bal ++++ Tp +++++ CdOrPrtry +++++ Cd



SWIFT Status	MT Field	Field Name	MT Format	Buna Status	Comment	Example	Xpath in head.001 and camt.052
			1!a		MT: C — Credit ≡ MX: CRDT MX: D — Debit ≡ MX: DBIT	MT: C190929AED659851,00 MX: CRDT	Document + BkToCstmrAcctRpt ++ Rpt +++ Bal ++++ CdtDbtInd
			6!n		Date	MT: C190929AED659851,00 MX: 2019-09-29	Document + BkToCstmrAcctRpt ++ Rpt +++ Bal ++++ Dt +++++ Dt
			3!a15d		Amount	MT: C190929AED659851,00 MX: Ccy="AED" 659851.00	Document + BkToCstmrAcctRpt ++ Rpt +++ Bal ++++ Amt
--	--	--	/4!a/	M	BALR fixed value	MX: BALR	Document + BkToCstmrAcctRpt ++ GrpHdr +++ AddtlInf
--	--		4!a2!a2!c[3!c]	MA	BIC of account owner	MX: ABPSEGCA	Document + BkToCstmrAcctRpt ++ Rpt +++ Acct ++++ Ownr +++++ Id ++++++ Orgld +++++++ AnyBIC

SWIFT Status	MT Field	Field Name	MT Format	Buna Status	Comment	Example	Xpath in head.001 and camt.052
--	--	--	35x	MA	Pseudo-BIC of account owner	MX: AAAAKWKW	Document + BkToCstmrAcctRpt ++ Rpt +++ Acct ++++ Ownr +++++ Id ++++++ Orgld +++++++ Othr +++++++ Id
--	--	--	35x	M	PCOD fixed value	MX: PCOD	Document + BkToCstmrAcctRpt ++ Rpt +++ Acct ++++ Ownr +++++ Id ++++++ Orgld +++++++ Othr +++++++ SchmeNm +++++++ Prtry
--	--	--	--	O	Total number of the entries in the statement	MX: 3	Document + BkToCstmrStmnt ++ Stmnt +++ TxSummry ++++ TtlNtries +++++ NbOfNtries
--	--	--	--	O	Total sum of the entries in the statement	MX: 444889.	Document + BkToCstmrStmnt ++ Stmnt +++ TxSummry ++++ TtlNtries +++++ Sum

SWIFT Status	MT Field	Field Name	MT Format	Buna Status	Comment	Example	Xpath in head.001 and camt.052
--	--	--	--	O	Total net entry amount	MX: 888.	Document + BkToCstmrStmt ++ Stmt +++ Txsumry ++++ TtlNtries +++++ TtlNetNtry ++++++ Amt
--	--	--	--	O	Credit-debit indicator: DBIT or CRDT	MX: DBIT	Document + BkToCstmrStmt ++ Stmt +++ Txsumry ++++ TtlNtries +++++ TtlNetNtry ++++++ CdtDbtInd
--	--	--	--	O	Total number of the credit entries in the statement	MX: 1	Document + BkToCstmrStmt ++ Stmt +++ Txsumry ++++ TtlCdtNtries +++++ NbOfNtries
--	--	--	--	O	Total sum of the credit entries in the statement	MX: 222000.5	Document + BkToCstmrStmt ++ Stmt +++ Txsumry ++++ TtlCdtNtries +++++ Sum
--	--	--	--	O	Total number of the debit entries in the statement	MX: 2	Document + BkToCstmrStmt ++ Stmt +++ Txsumry ++++ TtlDbtNtries +++++ NbOfNtries

SWIFT Status	MT Field	Field Name	MT Format	Buna Status	Comment	Example	Xpath in head.001 and camt.052
--	--	--	--	O	Total sum of the debit entries in the statement	MX: 222000.5	Document + BkToCstmrStmt ++ Stmt +++ TxSummry ++++ TtlDbtNtries +++++ Sum
--	--	--	--	M	Date and time of the message creation	MX: 2019-09-29T13:48:47+04:00	Document + BkToCstmrStmt ++ GrpHdr +++ CreDtTm

Example

MT941: Balance report

```
{1:F01ABPSEGCAXXXX}{2:O941BUNNAEAXXXXN}{3:{108:1909290001000959}}{4:
:20:989898BR941
:21:ABPS/3/2/2/941
:25:123456789
:28:212
:60F:C190929AED595771,00
:90D:72AED385920,
:90C:44AED450000,
:62F:C190929AED659851,00
-}
```

MX equivalent

```
<?xml version="1.0" encoding="utf-8"?>
<!-- Application header -->
<AppHdr xmlns="urn:iso:std:iso:20022:tech:xsd:head.001.001.01">
<!-- Message Sender -->
  <Fr>
    <FIId>
      <FinInstnId>
        <BICFI>BUNNAEAA</BICFI>
```

```
</FinInstnId>
</FIld>
</Fr>
<!-- Message Receiver -->
<To>
  <FIld>
    <FinInstnId>
      <BICFI>ABPSEGCA</BICFI>
    </FinInstnId>
  </FIld>
</To>
<!-- Message Reference -->
<BizMsgIdr>190929BUNNAEAAXXX0001000959</BizMsgIdr>
<!-- Message Type -->
<MsgDefldr>camt.052.001.08</MsgDefldr>
<!-- Message Creation Date/Time-->
<CreDt>2019-09-29T09:02:01Z</CreDt>
<Rltd>
<!-- Related Message Sender -->
  <Fr>
    <FIld>
      <FinInstnId>
        <BICFI>ABPSEGCA</BICFI>
      </FinInstnId>
    </FIld>
  </Fr>
<!-- Related Message Receiver -->
  <To>
    <FIld>
      <FinInstnId>
        <BICFI>BUNNAEAA</BICFI>
      </FinInstnId>
    </FIld>
  </To>
<!-- Related Message Reference -->
  <BizMsgIdr>ABPS/3/2/2/941</BizMsgIdr>
<!-- Related Message Type -->
```

```
<MsgDefldr>camt.060.001.05</MsgDefldr>
<!-- Related Message Creation Date/Time-->
<CreDt>2019-09-29T16:35:00Z</CreDt>
  </Rltd>
</AppHdr>

<!-- Document -->
<Document xmlns="urn:iso:std:iso:20022:tech:xsd:camt.052.001.08">
<BkToCstmrAcctRpt>
  <GrpHdr>
<!-- Unique Message ID generated by the System -->
  <Msgld>989898BR941</Msgld>
<!-- Message creation date/time -->
  <CreDtTm>2019-09-29T16:45:00+04:00</CreDtTm>
  <OrgnlBizQry>
<!-- Message ID of the request -->
    <Msgld>BPS/3/2/2/941</Msgld>
<!-- MX type of the request message. -->
    <MsgNmld>camt.060.001.05</MsgNmld>
<!-- Date/time of the request message creation -->
    <CreDtTm>2019-09-29T16:35:00+04:00</CreDtTm>
  </OrgnlBizQry>

<!-- BALR balance report -->
    <AddtlInf>BALR</AddtlInf>
  </GrpHdr>
  <Rpt>
<!-- Unique Report ID generated by the System -->
    <Id>989898BR</Id>
<!-- Sequence number of the report -->
    <ElctrncSeqNb>212</ElctrncSeqNb>
<!-- Report creation time -->
    <CreDtTm>2019-09-29T16:45:00+04:00</CreDtTm>

    <Acct>
      <Id>
        <Othr>
```

<!-- Account number -->

```
    <Id>123456789</Id>
  </Othr>
</Id>
```

<!-- Owner of the account related to the request -->

```
  <Ownr>
    <Id>
      <Orgld>
        <Othr>
          <AnyBIC>ABPSEGCA</AnyBIC>
        </Othr>
      </Orgld>
    </Id>
  </Ownr>
</Acct>

<Bal>
  <Tp>
    <CdOrPrtry>
```

<!-- PRCD - balance at the business day opening -->

```
    <Cd>PRCD</Cd>
  </CdOrPrtry>
</Tp>
```

<!-- Balance amount and currency -->

```
  <Amt Ccy="AED">595771.00</Amt>
```

<!-- CRDT - credit balance, DBIT - debit balance -->

```
  <CdtDbtInd>CRDT</CdtDbtInd>
```

<!-- Date of the PRCD balance -->

```
  <Dt><Dt>2019-09-29</Dt></Dt>
</Bal>

<Bal>
  <Tp>
    <CdOrPrtry>
```

<!-- CLBD - Current booked balance -->

```
    <Cd>CLBD</Cd>
  </CdOrPrtry>
</Tp>
```



```
<!-- Balance amount and currency -->
  <Amt Ccy="AED">659851.00</Amt>
<!-- CRDT - credit balance, DBIT - debit balance -->
  <CdtDbtInd>CRDT</CdtDbtInd>
<!-- Date/time of the balance -->
  <Dt><DtTm>2019-09-29T16:45:00+04:00</DtTm></Dt>
</Bal>

<!--Transaction summary-->
  <TxsSummry>
    <TtlNtries>
      <NbOfNtries>116</NbOfNtries>
      <Sum>390420.</Sum>
      <TtlNetNtry>
        <Amt>381420.</Amt>
        <CdtDbtInd>DBIT</CdtDbtInd>
      </TtlNetNtry>
    </TtlNtries>
    <TtlCdtNtries>
      <NbOfNtries>44</NbOfNtries>
      <Sum>4500.00</Sum>
    </TtlCdtNtries>
    <TtlDbtNtries>
      <NbOfNtries>72</NbOfNtries>
      <Sum>385920.00</Sum>
    </TtlDbtNtries>
  </TxsSummry>
</Rpt>
</BkToCstmrAcctRpt>
</Document>
```


SWIFT Status	MT Field	MT Field Name	MT: Format	Buna Status	Comment	Example	XPath in head.001 and camt.998
			/TOSW/4!a2!a2!c[3!c]	MA	BIC of SWIFT-registered Receiver of the text message	MT: /TOSW/CCCCKWKW MX: CCCCCKWKW	Document + CshMgmtPrtryMsg ++ PrtryData +++ Data ++++ Document +++++ TxtMsg ++++++ Rcvr +++++++ PrtclId +++++++ BICFI
			/TOMB/4!a2!a2!c[3!c]	MA	Pseudo-BIC of Receiver of the text message	MT: /TOMB/DDDDKWKW MX: DDDDKWKW	Document + CshMgmtPrtryMsg ++ PrtryData +++ Data ++++ Document +++++ TxtMsg ++++++ Rcvr +++++++ PrtclId +++++++ ClrSysMmbld +++++++ Mmbld
			/TOTP/	MA	Participant type of Receiver(s) of the text message	MT: /TOTP/BP.CO MX: BP	Document + CshMgmtPrtryMsg ++ PrtryData +++ Data ++++ Document +++++ TxtMsg ++++++ Rcvr +++++++ RcvrTp +++++++ PrtcTp

SWIFT Status	MT Field	MT Field Name	MT: Format	Buna Status	Comment	Example	XPath in head.001 and camt.998
			/TOAL/	MA	Institution type of Receiver(s) of the text message	MT: /TOTP/BP.CO MX: CO	Document + CshMgmtPrtryMsg ++ PrtryData +++ Data ++++ Document +++++ TxtMsg ++++++ Rcvr +++++++ RcvrTp +++++++ InstnTp
			/TOAL/	MA	All participants are Receiver(s) of the text message	MT: /TOAL/ MX: true	Document + CshMgmtPrtryMsg ++ PrtryData +++ Data ++++ Document +++++ TxtMsg ++++++ Rcvr +++++++ All
			/FRSW/4!a2!a2!c[3!c]	MA	BIC of SWIFT-registered Sender of the text message	MT: /FRSW/AAAANKWKW MX: AAAANKWKW	Document + CshMgmtPrtryMsg ++ PrtryData +++ Data ++++ Document +++++ TxtMsg ++++++ Sndr +++++++ BICFI



SWIFT Status	MT Field	MT Field Name	MT: Format	Buna Status	Comment	Example	XPath in head.001 and camt.998
			/FRMB/4!a2!a2!c[3!c]	MA	Pseudo-BIC of Sender of the text message	MT: /FRMB/BBBBKWKW MX: BBBBKWKW	Document + CshMgmtPrtryMsg ++ PrtryData +++ Data ++++ Document +++++ TxtMsg ++++++ Sndr +++++++ ClrSysMmbld +++++++ Mmbld
			/IMPT/4!c	O	ALRT — Alert INFO — Information REQU — Request Default value: INFO	MT: /IMPT/INFO MX: INFO	Document + CshMgmtPrtryMsg ++ PrtryData +++ Data ++++ Document +++++ TxtMsg +++++ Impt
			28*50x	M	Message text. MT message sent to Buna: not more than 26 lines. MT message sent by Buna: not more than 28 lines.	TRN of payment message is MB236	Document + CshMgmtPrtryMsg ++ PrtryData +++ Data ++++ Document +++++ TxtMsg +++++ Txt

Example 1

MT999: Non-SWIFT-registered participant sends Text message to SWIFT-registered participant

```
{1:F01BBBBKWKWAXXX}{2:I999BUNNAEAAXXXN}{3:{108:707281611261702}}{4:
:20:707281611261702
:79:/TEXT/1909290902+0400
/TOSW/CCCCCKWKW
/FRMB/BBBBKWKW
```

Non-SWIFT-registered participant sends

Text message to SWIFT-registered participant

-}

MX equivalent

```
<?xml version="1.0" encoding="utf-8"?>
```

```
<!-- Application header -->
```

```
<AppHdr xmlns="urn:iso:std:iso:20022:tech:xsd:head.001.001.01">
```

```
<!-- Message Sender -->
```

```
<Fr>
```

```
<FIId>
```

```
<FinInstnId>
```

```
<ClrSysMmbld><Mmbld>BBBBKWKW</Mmbld></ClrSysMmbld>
```

```
</FinInstnId>
```

```
</FIId>
```

```
</Fr>
```

```
<!-- Message Receiver -->
```

```
<To>
```

```
<FIId>
```

```
<FinInstnId>
```

```
<BICFI>BUNNAEAA</BICFI>
```

```
</FinInstnId>
```

```
</FIId>
```

```
</To>
```

```
<!-- Message Reference -->
```

```
<BizMsgIdr>707281611261702</BizMsgIdr>
```

```
<!-- Message Type -->
```

```
<MsgDefIdr>camt.998.001.03</MsgDefIdr>
```

```
<!-- Message Creation Date/Time-->
```

```
<CreDt>2019-09-29T09:02:00Z</CreDt>
```

```
</AppHdr>
```

```
<!-- Document -->
```

```
<Document xmlns="urn:swift:xsd:camt.998.001.03">
```

```
<CshMgmtPrtryMsg>
```

```
<MsgHdr>
```

```
<!-- Unique message reference -->
```

```
<MsgId>707281611261702</MsgId>
</MsgHdr>
<PrtryData>
  <Tp>cma.textMessage.001.02</Tp>
</Data>
```

```
<!-- Non-SWIFT-registered participant sends Text message to SWIFT-registered participant -->
```

```
<Document xmlns="urn:cma:xsd:cma.textMessage.001.02">
  <TxtMsg>
    <Rcvr>
      <PrtclId>
```

```
<!-- SWIFT-registered participant who is receiver of text message -->
```

```
    <BICFI>CCCCKWKW</BICFI>
  </PrtclId>
</Rcvr>
```

```
<!-- Participant who is sender of the message -->
```

```
  <Sndr>
    <ClrSysMmbld>
      <Mmbld>BBBBKWKW</Mmbld>
    </ClrSysMmbld>
  </Sndr>
```

```
<!-- Type of text: INFO=information -->
```

```
  <Impt>INFO</Impt>
```

```
<!-- Text to be delivered -->
```

```
  <Txt>Non-SWIFT-registered participant sends
Text message to SWIFT-registered participant</Txt>
</TxtMsg>
</Document>
</Data>
</PrtryData>
</CshMgmtPrtryMsg>
</Document>
```

Example 2

MT999: Non-SWIFT-registered participant sends Text message to non-SWIFT-registered participant

```
{1:F01BBBBKWKWAXXX}{2:I999BUNNAEAXXXXN}{3:{108:707281611261702}}{4:
:20:707281611261702
:79:/TEXT/1909290902+0400
/TOMB/DDDDKWKW
/FRMB/BBBBKWKW
Non-SWIFT-registered participant sends
Text message to non-SWIFT-registered participant
-}
```

MX equivalent

```
<?xml version="1.0" encoding="utf-8"?>
<!-- Application header -->
<AppHdr xmlns="urn:iso:std:iso:20022:tech:xsd:head.001.001.01">
<!-- Message Sender -->
  <Fr>
    <FIld>
      <FinInstnId>
        <ClrSysMmbld><Mmbld>BBBBKWKW</Mmbld></ClrSysMmbld>
      </FinInstnId>
    </FIld>
  </Fr>
<!-- Message Receiver -->
  <To>
    <FIld>
      <FinInstnId>
        <BICFI>BUNNAEAA</BICFI>
      </FinInstnId>
    </FIld>
  </To>
<!-- Message Reference -->
  <BizMsgldr>707281611261702</BizMsgldr>
<!-- Message Type -->
  <MsgDefldr>camt.998.001.03</MsgDefldr>
```

```
<!-- Message Creation Date/Time-->
```

```
<CreDt>2019-09-29T09:02:00Z</CreDt>
</AppHdr>
```

```
<!-- Document -->
```

```
<Document xmlns="urn:swift:xsd:camt.998.001.03">
  <CshMgmtPrtryMsg>
    <MsgHdr>
```

```
<!-- Unique message reference -->
```

```
<MsgId>707281611261702</MsgId>
</MsgHdr>
<PrtryData>
  <Tp>cma.textMessage.001.02</Tp>
  <Data>
```

```
<!-- Non-SWIFT-registered participant sends Text message to non-SWIFT-registered participant -->
```

```
<Document xmlns="urn:cma:xsd:cma.textMessage.001.02">
  <TxtMsg>
    <Rcvr>
      <PrtclId>
```

```
<!-- non-SWIFT-registered participant who is receiver of text message -->
```

```
<ClrSysMmbld>
  <Mmbld>DDDDKWKW</Mmbld>
</ClrSysMmbld>
</PrtclId>
</Rcvr>
<Sndr>
```

```
<!-- non-SWIFT-registered participant who is sender of text message -->
```

```
<ClrSysMmbld>
  <Mmbld>BBBBKWKW</Mmbld>
</ClrSysMmbld>
</Sndr>
```

```
<!-- Type of text: INFO=information -->
```

```
<Impt>INFO</Impt>
```

```
<!-- Text to be delivered -->
```

```
<Txt>Non-SWIFT-registered participant sends
Text message to non-SWIFT-registered participant</Txt>
```



```
</TxtMsg>
</Document>
</Data>
</PrtryData>
</CshMgmtPrtryMsg>
</Document>
```

Example 3

MT999: SWIFT-registered participant sends Text message to SWIFT-registered participant

```
{1:F01AAAKWKWAXXX}{2:I999BUNNAEAXXXN}{3:{108:707281611261702}}{4:
:20:707281611261702
:79:/TEXT/1909290902+0400
/TOSW/CCCCWKW
/FRSW/AAAKWKW
SWIFT-registered participant sends
Text message to SWIFT-registered participant
-}
```

MX equivalent

```
<?xml version="1.0" encoding="utf-8"?>
<!-- Application header -->
<AppHdr xmlns="urn:iso:std:iso:20022:tech:xsd:head.001.001.01">
<!-- Message Sender -->
  <Fr>
    <FIld>
      <FinInstnId>
        <BICFI>AAAKWKW</BICFI>
      </FinInstnId>
    </FIld>
  </Fr>
<!-- Message Receiver -->
  <To>
    <FIld>
      <FinInstnId>
```

```
        <BICFI>BUNNAEAA</BICFI>
      </FinInstnId>
    </FIld>
  </To>
```

```
<!-- Message Reference -->
```

```
<BizMsgIdr>707281611261702</BizMsgIdr>
```

```
<!-- Message Type -->
```

```
<MsgDefldr>camt.998.001.03</MsgDefldr>
```

```
<!-- Message Creation Date/Time-->
```

```
<CreDt>2019-09-29T09:02:00Z</CreDt>
```

```
</AppHdr>
```

```
<!-- Document -->
```

```
<Document xmlns="urn:swift:xsd:camt.998.001.03">
```

```
<CshMgmtPrtryMsg>
```

```
<MsgHdr>
```

```
<!-- Unique message reference -->
```

```
<MsgId>707281611261702</MsgId>
```

```
</MsgHdr>
```

```
<PrtryData>
```

```
<Tp>cma.textMessage.001.02</Tp>
```

```
<Data>
```

```
<!-- SWIFT-registered participant sends Text message to SWIFT-registered participant -->
```

```
<Document xmlns="urn:cma:xsd:cma.textMessage.001.02">
```

```
<TxtMsg>
```

```
<Rcvr>
```

```
<!-- Participant who is receiver of text message -->
```

```
<Prtcd>
```

```
<BICFI>CCCCCKWKW</BICFI>
```

```
</Prtcd>
```

```
</Rcvr>
```

```
<!-- Participant who is sender of the message -->
```

```
<Sndr>
```

```
<BICFI>AAAAKWKW</BICFI>
```

```
</Sndr>
```

```
<!-- Type of text: INFO=information -->
```

```
<Impt>INFO</Impt>
<!-- Text to be delivered -->
  <Txt>SWIFT-registered participant sends
Text message to SWIFT-registered participant</Txt>
</TxtMsg>
</Document>
</Data>
</PrtryData>
</CshMgmtPrtryMsg>
</Document>
```

Example 4

MT999: SWIFT-registered participant sends Text message to non-SWIFT-registered participant

```
{1:F01AAAKWKWAXXX}{2:I999BUNNAEAAXXXN}{3:{108:707281611261702}}{4:
:20:707281611261702
:79:/TEXT/1909290902+0400
/TOMB/DDDDKWKW
/FRSW/AAAKWKW
SWIFT-registered participant sends
Text message to non-SWIFT-registered participant
-}
```

MX equivalent

```
<?xml version="1.0" encoding="utf-8"?>
<!-- Application header -->
<AppHdr xmlns="urn:iso:std:iso:20022:tech:xsd:head.001.001.01">
<!-- Message Sender -->
  <Fr>
    <FIld>
      <FinInstnId>
        <BICFI>AAAKWKW</BICFI>
      </FinInstnId>
    </FIld>
```

```
</Fr>
<!-- Message Receiver -->
<To>
  <FIld>
    <FinInstnId>
      <BICFI>BUNNAEAA</BICFI>
    </FinInstnId>
  </FIld>
</To>
<!-- Message Reference -->
<BizMsgId>707281611261702</BizMsgId>
<!-- Message Type -->
<MsgDefId>camt.998.001.03</MsgDefId>
<!-- Message Creation Date/Time-->
<CreDt>2019-09-29T09:02:00Z</CreDt>
</AppHdr>
<!-- Document -->
<Document xmlns="urn:swift:xsd:camt.998.001.03">
  <CshMgmtPrtryMsg>
    <MsgHdr>
<!-- Unique message reference -->
      <MsgId>707281611261702</MsgId>
    </MsgHdr>
    <PrtryData>
      <Tp>cma.textMessage.001.02</Tp>
      <Data>
<!-- SWIFT-registered participant sends Text message to non-SWIFT-registered participant -->
        <Document xmlns="urn:cma:xsd:cma.textMessage.001.02">
          <TxtMsg>
            <Rcvr>
              <Prtcd>
<!-- non-SWIFT registered Participant who is receiver of the message -->
                <ClrSysMmbld>
                  <Mmbld>DDDDKWKW</Mmbld>
                </ClrSysMmbld>
              </Rcvr>
            </TxtMsg>
          </Document>
        </Data>
      </PrtryData>
    </CshMgmtPrtryMsg>
  </Document>
</AppHdr>
```

```
</PrctId>
</Rcvr>
<!-- Participant who is sender of the message -->
<Sndr>
<BICFI>AAAAKWKW</BICFI>
</Sndr>
<!-- Type of text: INFO=information -->
<Impt>INFO</Impt>
<!-- Text to be delivered -->
<Txt>SWIFT-registered participant sends
Text message to non-SWIFT-registered participant</Txt>
</TxtMsg>
</Document>
</Data>
</PrtryData>
</CshMgmtPrtryMsg>
</Document>
```

Example 5

MT999: non-SWIFT-registered participant sends Text message to the participants of selected types

```
{1:F01BBBBKWKWAXXX}{2:I999BUNNAEAXXXN}{3:{108:707281611261702}}{4:
:20:707281611261702
:79:/TEXT/1909290902+0400
/TOTP/BP.CO
/FRMB/BBBBKWKW
/IMPT/REQU
from non-SWIFT-participant
to selected types
-}
```

MX equivalent

```
<?xml version="1.0" encoding="utf-8"?>
<!-- Application header -->
<AppHdr xmlns="urn:iso:std:iso:20022:tech:xsd:head.001.001.01">
```

<!-- Message Sender -->

```
<Fr>
  <FIld>
    <FinInstnId>
      <ClrSysMmbld><Mmbld>BBBBKWKW</Mmbld></ClrSysMmbld>
    </FinInstnId>
  </FIld>
</Fr>
```

<!-- Message Receiver -->

```
<To>
  <FIld>
    <FinInstnId>
      <BICFI>BUNNAEAA</BICFI>
    </FinInstnId>
  </FIld>
</To>
```

<!-- Message Reference -->

```
<BizMsgIdr>707281611261702</BizMsgIdr>
```

<!-- Message Type -->

```
<MsgDefldr>camt.998.001.03</MsgDefldr>
```

<!-- Message Creation Date/Time-->

```
<CreDt>2019-09-29T09:02:00Z</CreDt>
</AppHdr>
```

<!-- Document -->

```
<Document xmlns="urn:swift:xsd:camt.998.001.03">
  <CshMgmtPrtryMsg>
    <MsgHdr>
```

<!-- Unique message reference -->

```
<MsgId>707281611261702</MsgId>
</MsgHdr>
<PrtryData>
  <Tp>cma.textMessage.001.02</Tp>
  <Data>
```

<!-- from non-SWIFT-participant to selected types -->

```
<Document xmlns="urn:cma:xsd:cma.textMessage.001.02">
```

```

<TxtMsg>
  <Rcvr>
    <RcvrTp>
<!-- Participant Type to whom the receivers belong -->
  <PrtcTp>BP</PrtcTp>
<!-- Institution Type to whom the receivers belong -->
  <InstnTp>CO</InstnTp>
  </RcvrTp>
</Rcvr>
<Sndr>
<!-- non-SWIFT registered Participant who is sender of the message -->
  <ClrSysMmbld>
    <Mmbld>BBBBKWKW</Mmbld>
  </ClrSysMmbld>
</Sndr>
<!-- Type of text: REQU=request -->
  <Impt>REQU</Impt>
<!-- Text to be delivered -->
  <Txt>from non-SWIFT-participant to selected types</Txt>
</TxtMsg>
</Document>
</Data>
</PrtryData>
</CshMgmtPrtryMsg>
</Document>

```

Example 6

MT999: SWIFT-registered participant sends Text message to the participants of selected types

```

{1:F01AAAKWKWAXXX}{2:I999BUNNAEAXXXXN}{3:{108:707281611261702}}{4:
:20:707281611261702
:79:/TEXT/1909290902+0400
/TOTP/BP.CO
/FRSW/AAAKWKW
/IMPT/REQU
from SWIFT-participant
to selected types

```

```
-}
```

MX equivalent

```
<?xml version="1.0" encoding="utf-8"?>
<!-- Application header -->
<AppHdr xmlns="urn:iso:std:iso:20022:tech:xsd:head.001.001.01">
<!-- Message Sender -->
  <Fr>
    <FIld>
      <FinInstnId>
        <BICFI>AAAAKWKW</BICFI>
      </FinInstnId>
    </FIld>
  </Fr>
<!-- Message Receiver -->
  <To>
    <FIld>
      <FinInstnId>
        <BICFI>BUNNAEAA</BICFI>
      </FinInstnId>
    </FIld>
  </To>
<!-- Message Reference -->
  <BizMsgId>707281611261702</BizMsgId>
<!-- Message Type -->
  <MsgDefId>camt.998.001.03</MsgDefId>
<!-- Message Creation Date/Time-->
  <CreDt>2019-09-29T09:02:00Z</CreDt>
</AppHdr>
<!-- Document -->
<Document xmlns="urn:swift:xsd:camt.998.001.03">
  <CshMgmtPrtryMsg>
    <MsgHdr>
<!-- Unique message reference -->
      <MsgId>707281611261702</MsgId>
```



```
</MsgHdr>
<PrtryData>
  <Tp> cma.textMessage.001.02 </Tp>
  <Data>
```

```
<!-- from SWIFT-participant to selected types -->
```

```
<Document xmlns="urn:cma:xsd:cma.textMessage.001.02">
  <TxtMsg>
    <Rcvr>
      <RcvrTp>
```

```
<!-- Participant Type to whom the receivers belong -->
```

```
<PrtcTp>BP</PrtcTp>
```

```
<!-- Institution Type to whom the receivers belong -->
```

```
<InstnTp>CO</InstnTp>
</RcvrTp>
</Rcvr>
```

```
<!-- Participant who is sender of the message -->
```

```
<Sndr>
  <BICFI>AAAAKWKW</BICFI>
</Sndr>
```

```
<!-- Type of text: REQU=request -->
```

```
<Impt>REQU</Impt>
```

```
<!-- Text to be delivered -->
```

```
<Txt>from SWIFT-participant
to selected types</Txt>
</TxtMsg>
</Document>
</Data>
</PrtryData>
</CshMgmtPrtryMsg>
</Document>
```

Example 7

MT999: non-SWIFT-registered participant sends Text message to all participants

```
{1:F01BBBBKWKWAXXX}{2:I999BUNNAEAXXXXN}{3:{108:707281611261702}}{4:
```



:20:707281611261702
:79:/TEXT/1909290902+0400
/TOAL/
/FRMB/BBBBKWKW
/IMPT/REQU
from non-SWIFT-registered Participant
to all participants
-}

MX equivalent

```
<?xml version="1.0" encoding="utf-8"?>  
<!-- Application header -->  
<AppHdr xmlns="urn:iso:std:iso:20022:tech:xsd:head.001.001.01">  
<!-- Message Sender -->  
  <Fr>  
    <FIld>  
      <FinInstnId>  
        <ClrSysMmbld><Mmbld>BBBBKWKW</Mmbld></ClrSysMmbld>  
      </FinInstnId>  
    </FIld>  
  </Fr>  
<!-- Message Receiver -->  
  <To>  
    <FIld>  
      <FinInstnId>  
        <BICFI>BUNNAEAA</BICFI>  
      </FinInstnId>  
    </FIld>  
  </To>  
<!-- Message Reference -->  
  <BizMsgIdr>707281611261702</BizMsgIdr>  
<!-- Message Type -->  
  <MsgDefIdr>camt.998.001.03</MsgDefIdr>  
<!-- Message Creation Date/Time-->  
  <CreDt>2019-09-29T09:02:00Z</CreDt>  
</AppHdr>
```

```
<!-- Document -->
```

```
<Document xmlns="urn:swift:xsd:camt.998.001.03">  
  <CshMgmtPrtryMsg>  
    <MsgHdr>
```

```
<!-- Unique message reference -->
```

```
  <MsgId>707281611261702</MsgId>  
  </MsgHdr>  
  <PrtryData>  
    <Tp>cma.textMessage.001.02</Tp>  
  <Data>
```

```
<!-- from non-SWIFT-registered Participant to all participants -->
```

```
<Document xmlns="urn:cma:xsd:cma.textMessage.001.02">  
  <TxtMsg>  
    <Rcvr>
```

```
<!-- All Participants are receivers of text message -->
```

```
  <All>true</All>  
  </Rcvr>  
  <Sndr>
```

```
<!-- non-SWIFT-registered Participant who is sender of the message -->
```

```
  <ClrSysMmbld>  
    <Mmbld>BBBBKWKW</Mmbld>  
  </ClrSysMmbld>  
  </Sndr>
```

```
<!-- Type of text: REQU=request -->
```

```
  <Impt>REQU</Impt>
```

```
<!-- Text to be delivered -->
```

```
  <Txt>from non-SWIFT-registered Participant to all participants</Txt>  
  </TxtMsg>  
  </Document>  
  </Data>  
  </PrtryData>  
  </CshMgmtPrtryMsg>  
</Document>
```

Example 8

MT999: SWIFT-registered participant sends Text message to all participants

```
{1:F01AAAAKWKWAXXX}{2:I999BUNNAEAAAXXXN}{3:{108:707281611261702}}{4:
:20:707281611261702
:79:/TEXT/1909290902+0400
/TOAL/
/FRSW/AAAAKWKW
/IMPT/INFO
from SWIFT-registered Participant
to all participants
-}
```

MX equivalent

```
<?xml version="1.0" encoding="utf-8"?>
<!-- Application header -->
<AppHdr xmlns="urn:iso:std:iso:20022:tech:xsd:head.001.001.01">
<!-- Message Sender -->
  <Fr>
    <FIld>
      <FinInstnId>
        <BICFI>AAAAKWKW</BICFI>
      </FinInstnId>
    </FIld>
  </Fr>
<!-- Message Receiver -->
  <To>
    <FIld>
      <FinInstnId>
        <BICFI>BUNNAEAA</BICFI>
      </FinInstnId>
    </FIld>
  </To>
<!-- Message Reference -->
  <BizMsgldr>707281611261702</BizMsgldr>
<!-- Message Type -->
```

```
<MsgDefldr>camt.998.001.03</MsgDefldr>  
<!-- Message Creation Date/Time-->  
<CreDt>2019-09-29T09:02:00Z</CreDt>  
</AppHdr>
```

```
<!-- Document -->
```

```
<Document xmlns="urn:swift:xsd:camt.998.001.03">  
<CshMgmtPrtryMsg>  
<MsgHdr>
```

```
<!-- Unique message reference -->
```

```
<MsgId>707281611261702</MsgId>  
</MsgHdr>  
<PrtryData>  
<Tp>cma.textMessage.001.02</Tp>  
<Data>
```

```
<!-- SWIFT-registered participant sends Text message all participants -->
```

```
<Document xmlns="urn:cma:xsd:cma.textMessage.001.02">  
<TxtMsg>  
<Rcvr>
```

```
<!-- All Participants are receivers of text message -->
```

```
<All>true</All>  
</Rcvr>  
<Sndr>
```

```
<!-- SWIFT registered Participant who is sender of the message -->
```

```
<BICFI>AAAAKWKW</BICFI>  
</Sndr>
```

```
<!-- Type of text: INFO=information -->
```

```
<Impt>INFO</Impt>
```

```
<!-- Text to be delivered -->
```

```
<Txt>from SWIFT-registered Participant  
to all participants</Txt>  
</TxtMsg>  
</Document>  
</Data>  
</PrtryData>  
</CshMgmtPrtryMsg>
```

</Document>

8.1.2 MT999/TEXT ≡ CAMT.998/TEXTMESSAGE: RECEIVED TEXT MESSAGE (INCLUDING BROADCAST MESSAGE)

Message format and MT-MX transformation rules are similar to the text message received by Buna. Please refer to [8.1.1].

Example 1

MT999: Non-SWIFT-registered participant sends Text message to SWIFT-registered participant

```
{1:F01CCCCCKWKWXXXX}{2:O999BUNNAEAAXXXXN}{3:{108:1909290001000963}}{4:
:20:R34234523E1
:21:707281611261702
:79:/TEXT/1909290902+0400
/TOSW/CCCCCKWKW
/FRMB/BBBBKWKW
Non-SWIFT-registered participant sends
Text message to SWIFT-registered participant
-}
```

MX equivalent

```
<?xml version="1.0" encoding="utf-8"?>
<!-- Application header -->
<AppHdr xmlns="urn:iso:std:iso:20022:tech:xsd:head.001.001.01">
<!-- Message Sender -->
  <Fr>
    <FIld>
      <FinInstnId>
        <BICFI>BUNNAEAA</BICFI>
      </FinInstnId>
    </FIld>
  </Fr>
<!-- Message Receiver -->
```

```
<To>
  <FIld>
    <FinInstnId>
      <ClrSysMmbld><Mmbld>CCCCCKWKW</Mmbld></ClrSysMmbld>
    </FinInstnId>
  </FIld>
</To>
```

<!-- Message Reference -->

```
<BizMsgIdr>190929BUNNAEAAXXX0001000963</BizMsgIdr>
```

<!-- Message Type -->

```
<MsgDefldr>camt.998.001.03</MsgDefldr>
```

<!-- Message Creation Date/Time-->

```
<CreDt>2019-09-29T09:02:01Z</CreDt>
<Rltd>
```

<!-- Related Message Sender -->

```
<Fr>
  <FIld>
    <FinInstnId>
      <BICFI>CCCCCKWKW</BICFI>
    </FinInstnId>
  </FIld>
</Fr>
```

<!-- Related Message Receiver -->

```
<To>
  <FIld>
    <FinInstnId>
      <BICFI>BUNNAEAA</BICFI>
    </FinInstnId>
  </FIld>
</To>
```

<!-- Related Message Reference -->

```
<BizMsgIdr>707281611261702</BizMsgIdr>
```

<!-- Related Message Type -->

```
<MsgDefldr>camt.998.001.03</MsgDefldr>
```

<!-- Related Message Creation Date/Time-->

```
<CreDt>2019-09-29T09:02:00Z</CreDt>
</Rltd>
```

```
</AppHdr>
```

```
<!-- Document -->
```

```
<Document xmlns="urn:swift:xsd:camt.998.001.03">
```

```
<CshMgmtPrtryMsg>
```

```
<MsgHdr>
```

```
<!-- Unique message reference -->
```

```
<MsgId>R34234523E1</MsgId>
```

```
</MsgHdr>
```

```
<Rltd>
```

```
<Ref>707281611261702</Ref>
```

```
</Rltd>
```

```
<PrtryData>
```

```
<Tp>cma.textMessage.001.02</Tp>
```

```
<Data>
```

```
<!-- Non-SWIFT-registered participant sends Text message to SWIFT-registered participant -->
```

```
<Document xmlns="urn:cma:xsd:cma.textMessage.001.02">
```

```
<TxtMsg>
```

```
<Rcvr>
```

```
<Prtcl>
```

```
<!-- SWIFT-registered participant who is receiver of text message -->
```

```
<BICFI>CCCCKWKW</BICFI>
```

```
</Prtcl>
```

```
</Rcvr>
```

```
<!-- Participant who is sender of the message -->
```

```
<Sndr>
```

```
<ClrSysMmbld>
```

```
<Mmbld>BBBBKWKW</Mmbld>
```

```
</ClrSysMmbld>
```

```
</Sndr>
```

```
<!-- Type of text: INFO=information -->
```

```
<Impt>INFO</Impt>
```

```
<!-- Text to be delivered -->
```

```
<Txt>Non-SWIFT-registered participant sends  
Text message to SWIFT-registered participant</Txt>
```

```
</TxtMsg>
```



```
</Document>
</Data>
</PrtryData>
</CshMgmtPrtryMsg>
</Document>
```

Example 2

MT999: Non-SWIFT-registered participant sends Text message to non-SWIFT-registered participant

```
{1:F01DDDDKWKWXXX}{2:O999BUNNAEAAXXXN}{3:{108:1909290001000964}}{4:
:20:R34234523E2
:21:707281611261702
:79:/TEXT/1909290902+0400
/TOMB/DDDDKWKW
/FRMB/BBBBKWKW
Non-SWIFT-registered participant sends
Text message to non-SWIFT-registered participant
-}
```

MX equivalent

```
<?xml version="1.0" encoding="utf-8"?>
<!-- Application header -->
<AppHdr xmlns="urn:iso:std:iso:20022:tech:xsd:head.001.001.01">
<!-- Message Sender -->
  <Fr>
    <FIld>
      <FinInstnId>
        <BICFI>BUNNAEAA</BICFI>
      </FinInstnId>
    </FIld>
  </Fr>
<!-- Message Receiver -->
  <To>
    <FIld>
```

```
<FinInstnId>
  <ClrSysMmbld><Mmbld>DDDDKWKW</Mmbld></ClrSysMmbld>
</FinInstnId>
</FIld>
</To>
<!-- Message Reference -->
<BizMsgIdr>190929BUNNAEAAXXX0001000964</BizMsgIdr>
<!-- Message Type -->
<MsgDefldr>camt.998.001.03</MsgDefldr>
<!-- Message Creation Date/Time-->
<CreDt>2019-09-29T09:02:01Z</CreDt>
<Rltd>
<!-- Related Message Sender -->
  <Fr>
    <FIld>
      <FinInstnId>
        <ClrSysMmbld><Mmbld>BBBBKWKW</Mmbld></ClrSysMmbld>
      </FinInstnId>
    </FIld>
  </Fr>
<!-- Related Message Receiver -->
  <To>
    <FIld>
      <FinInstnId>
        <BICFI>BUNNAEAA</BICFI>
      </FinInstnId>
    </FIld>
  </To>
<!-- Related Message Reference -->
<BizMsgIdr>707281611261702</BizMsgIdr>
<!-- Related Message Type -->
<MsgDefldr>camt.998.001.03</MsgDefldr>
<!-- Related Message Creation Date/Time-->
<CreDt>2019-09-29T09:02:00Z</CreDt>
</Rltd>
</AppHdr>
```

```
<!-- Document -->
```

```
<Document xmlns="urn:swift:xsd:camt.998.001.03">  
<CshMgmtPrtryMsg>  
<MsgHdr>
```

```
<!-- Unique message reference -->
```

```
<MsgId>R34234523E2</MsgId>  
</MsgHdr>  
<Rltd>  
<Ref>707281611261702</Ref>  
</Rltd>  
<PrtryData>  
<Tp>cma.textMessage.001.02</Tp>  
<Data>
```

```
<!-- Non-SWIFT-registered participant sends Text message to non-SWIFT-registered participant -->
```

```
<Document xmlns="urn:cma:xsd:cma.textMessage.001.02">  
<TxtMsg>  
<Rcvr>  
<Prtcl>
```

```
<!-- non-SWIFT-registered participant who is receiver of text message -->
```

```
<ClrSysMmbld>  
<Mmbld>DDDDKWKW</Mmbld>  
</ClrSysMmbld>  
</Prtcl>  
</Rcvr>  
<Sndr>
```

```
<!-- non-SWIFT-registered participant who is sender of text message -->
```

```
<ClrSysMmbld>  
<Mmbld>BBBBKWKW</Mmbld>  
</ClrSysMmbld>  
</Sndr>
```

```
<!-- Type of text: INFO=information -->
```

```
<Impt>INFO</Impt>
```

```
<!-- Text to be delivered -->
```

```
<Txt>Non-SWIFT-registered participant sends  
Text message to non-SWIFT-registered participant</Txt>  
</TxtMsg>
```

```

</Document>
</Data>
</PrtryData>
</CshMgmtPrtryMsg>
</Document>

```

Example 3

MT999: SWIFT-registered participant sends Text message to SWIFT-registered participant

```

{1:F01CCCCCKWKWXXXX}{2:O999BUNNAEAAXXXXN}{3:{108:1909290001000965}}{4:
:20:R34234523E3
:21:707281611261702
:79:/TEXT/1909290902+0400
/TOSW/CCCCCKWKW
/FRSW/AAAAKWKW
SWIFT-registered participant sends
Text message to SWIFT-registered participant
-}

```

MX equivalent

```

<?xml version="1.0" encoding="utf-8"?>
<!-- Application header -->
<AppHdr xmlns="urn:iso:std:iso:20022:tech:xsd:head.001.001.01">
<!-- Message Sender -->
  <Fr>
    <FIld>
      <FinInstnId>
        <BICFI>BUNNAEAA</BICFI>
      </FinInstnId>
    </FIld>
  </Fr>
<!-- Message Receiver -->
  <To>
    <FIld>
      <FinInstnId>

```

```
        <BICFI>CCCCCKWKW</BICFI>
      </FinInstnId>
    </FIld>
  </To>
<!-- Message Reference -->
  <BizMsgIdr>190929BUNNAEAAXXX0001000965</BizMsgIdr>
<!-- Message Type -->
  <MsgDefldr>camt.998.001.03</MsgDefldr>
<!-- Message Creation Date/Time-->
  <CreDt>2019-09-29T09:02:01Z</CreDt>
  <Rltd>
<!-- Related Message Sender -->
  <Fr>
    <FIld>
      <FinInstnId>
        <BICFI>AAAAKWKW</BICFI>
      </FinInstnId>
    </FIld>
  </Fr>
<!-- Related Message Receiver -->
  <To>
    <FIld>
      <FinInstnId>
        <BICFI>BUNNAEAA</BICFI>
      </FinInstnId>
    </FIld>
  </To>
<!-- Related Message Reference -->
  <BizMsgIdr>707281611261702</BizMsgIdr>
<!-- Related Message Type -->
  <MsgDefldr>camt.998.001.03</MsgDefldr>
<!-- Related Message Creation Date/Time-->
  <CreDt>2019-09-29T09:02:00Z</CreDt>
  </Rltd>
</AppHdr>
<!-- Document -->
```

```
<Document xmlns="urn:swift:xsd:camt.998.001.03">  
<CshMgmtPrtryMsg>  
<MsgHdr>
```

```
<!-- Unique message reference -->
```

```
<MsgId>R34234523E3</MsgId>  
</MsgHdr>  
<Rltd>  
<Ref>707281611261702</Ref>  
</Rltd>  
<PrtryData>  
<Tp>cma.textMessage.001.02</Tp>  
<Data>
```

```
<!-- SWIFT-registered participant sends Text message to SWIFT-registered participant -->
```

```
<Document xmlns="urn:cma:xsd:cma.textMessage.001.02">  
<TxtMsg>  
<Rcvr>
```

```
<!-- Participant who is receiver of text message -->
```

```
<PrtclId>  
<BICFI>CCCCCKWKW</BICFI>  
</PrtclId>  
</Rcvr>
```

```
<!-- Participant who is sender of the message -->
```

```
<Sndr>  
<BICFI>AAAAKWKW</BICFI>  
</Sndr>
```

```
<!-- Type of text: INFO=information -->
```

```
<Impt>INFO</Impt>
```

```
<!-- Text to be delivered -->
```

```
<Txt>SWIFT-registered participant sends  
Text message to SWIFT-registered participant</Txt>  
</TxtMsg>  
</Document>  
</Data>  
</PrtryData>  
</CshMgmtPrtryMsg>  
</Document>
```

Example 4

MT999: SWIFT-registered participant sends Text message to non-SWIFT-registered participant

```
{1:F01DDDDKWKWXXX}{2:O999BUNNAEAAXXXN}{3:{108:1909290001000966}}{4:
:20: R34234523E4
:21:707281611261702
:79:/TEXT/1909290902+0400
/TOMB/DDDDKWKW
/FRSW/AAAANKWKW
SWIFT-registered participant sends
Text message to non-SWIFT-registered participant
-}
```

MX equivalent

```
<?xml version="1.0" encoding="utf-8"?>
<!-- Application header -->
<AppHdr xmlns="urn:iso:std:iso:20022:tech:xsd:head.001.001.01">
<!-- Message Sender -->
<Fr>
  <FIld>
    <FinInstnId>
      <BICFI>BUNNAEAA</BICFI>
    </FinInstnId>
  </FIld>
</Fr>
<!-- Message Receiver -->
<To>
  <FIld>
    <FinInstnId>
      <ClrSysMmbld><Mmbld>DDDDKWKW</Mmbld></ClrSysMmbld>
    </FinInstnId>
  </FIld>
</To>
<!-- Message Reference -->
```

```
<BizMsgIdr>190929BUNNAEAAXXX0001000966</BizMsgIdr>
<!-- Message Type -->
<MsgDefIdr>camt.998.001.03</MsgDefIdr>
<!-- Message Creation Date/Time-->
<CreDt>2019-09-29T09:02:01Z</CreDt>
<Rltd>
<!-- Related Message Sender -->
  <Fr>
    <FIId>
      <FinInstnId>
        <BICFI>AAAAKWKW</BICFI>
      </FinInstnId>
    </FIId>
  </Fr>
<!-- Related Message Receiver -->
  <To>
    <FIId>
      <FinInstnId>
        <BICFI>BUNNAEAA</BICFI>
      </FinInstnId>
    </FIId>
  </To>
<!-- Related Message Reference -->
  <BizMsgIdr>707281611261702</BizMsgIdr>
<!-- Related Message Type -->
  <MsgDefIdr>camt.998.001.03</MsgDefIdr>
<!-- Related Message Creation Date/Time-->
  <CreDt>2019-09-29T09:02:00Z</CreDt>
</Rltd>
</AppHdr>
<!-- Document -->
<Document xmlns="urn:swift:xsd:camt.998.001.03">
  <CshMgmtPrtryMsg>
    <MsgHdr>
<!-- Unique message reference -->
      <MsgId>R34234523E4</MsgId>
```



```
</MsgHdr>
<Rltd>
  <Ref>707281611261702</Ref>
</Rltd>
<PrtryData>
  <Tp>cma.textMessage.001.02</Tp>
<Data>
```

```
<!-- SWIFT-registered participant sends Text message to non-SWIFT-registered participant -->
```

```
<Document xmlns="urn:cma:xsd:cma.textMessage.001.02">
  <TxtMsg>
    <Rcvr>
      <Prtcl>
```

```
<!-- non-SWIFT registered Participant who is receiver of the message -->
```

```
<ClrSysMmbld>
  <Mmbld>DDDDKWKW</Mmbld>
</ClrSysMmbld>
</Prtcl>
</Rcvr>
```

```
<!-- Participant who is sender of the message -->
```

```
<Sndr>
  <BICFI>AAAAKWKW</BICFI>
</Sndr>
```

```
<!-- Type of text: INFO=information -->
```

```
<Impt>INFO</Impt>
```

```
<!-- Text to be delivered -->
```

```
<Txt>SWIFT-registered participant sends
Text message to non-SWIFT-registered participant</Txt>
</TxtMsg>
</Document>
</Data>
</PrtryData>
</CshMgmtPrtryMsg>
</Document>
```

Example 5

MT999: non-SWIFT-registered participant sends Text message to the participants of selected types.

CCCCCKWKW is the participant which type corresponds to the selected one

```
{1:F01CCCCCKWKWXXX}{2:O999BUNNAEAAXXXN}{3:{108:1909290001000967}}{4:
:20:R34234523E7
:21:707281611261702
:79:/TEXT/1909290902+0400
/TOTP/BP.CO
/FRMB/BBBBKWKW
/IMPT/REQU
from non-SWIFT-participant to selected type
-}
```

MX equivalent

```
<?xml version="1.0" encoding="utf-8"?>
<!-- Application header -->
<AppHdr xmlns="urn:iso:std:iso:20022:tech:xsd:head.001.001.01">
<!-- Message Sender -->
  <Fr>
    <FIld>
      <FinInstnId>
        <BICFI>BUNNAEAA</BICFI>
      </FinInstnId>
    </FIld>
  </Fr>
<!-- Message Receiver -->
  <To>
    <FIld>
      <FinInstnId>
        <BICFI>CCCCCKWKW</BICFI>
      </FinInstnId>
    </FIld>
  </To>
<!-- Message Reference -->
```

```
<BizMsgIdr>190929BUNNAEAAXXX0001000967</BizMsgIdr>
<!-- Message Type -->
<MsgDefIdr>camt.998.001.03</MsgDefIdr>
<!-- Message Creation Date/Time-->
<CreDt>2019-09-29T09:02:01Z</CreDt>
<Rltd>
<!-- Related Message Sender -->
  <Fr>
    <FIId>
      <FinInstnId>
        <ClrSysMmbld><Mmbld>BBBBKWKW</Mmbld></ClrSysMmbld>
      </FinInstnId>
    </FIId>
  </Fr>
<!-- Related Message Receiver -->
  <To>
    <FIId>
      <FinInstnId>
        <BICFI>BUNNAEAA</BICFI>
      </FinInstnId>
    </FIId>
  </To>
<!-- Related Message Reference -->
  <BizMsgIdr>707281611261702</BizMsgIdr>
<!-- Related Message Type -->
  <MsgDefIdr>camt.998.001.03</MsgDefIdr>
<!-- Related Message Creation Date/Time-->
  <CreDt>2019-09-29T09:02:00Z</CreDt>
</Rltd>
</AppHdr>
<!-- Document -->
<Document xmlns="urn:swift.xsd:camt.998.001.03">
  <CshMgmtPrtryMsg>
    <MsgHdr>
<!-- Unique message reference -->
  <MsgId>R34234523E7</MsgId>
```

```
</MsgHdr>
<Rltd>
  <Ref>707281611261702</Ref>
</Rltd>
<PrtryData>
  <Tp>cma.textMessage.001.02</Tp>
  <Data>

<!-- from non-SWIFT-participant to selected types -->
  <Document xmlns="urn:cma:xsd:cma.textMessage.001.02">
    <TxtMsg>
      <Rcvr>
        <RcvrTp>

<!-- Participant Type to whom the receivers belong -->
        <PrtcTp>BP</PrtcTp>

<!-- Institution Type to whom the receivers belong -->
        <InstnTp>CO</InstnTp>
      </RcvrTp>
    </Rcvr>
    <Sndr>

<!-- non-SWIFT registered Participant who is sender of the message -->
    <ClrSysMmbld>
      <Mmbld>BBBBKWKW</Mmbld>
    </ClrSysMmbld>
  </Sndr>

<!-- Type of text: REQU=request -->
  <Impt>REQU</Impt>

<!-- Text to be delivered -->
  <Txt>from non-SWIFT-participant to selected types</Txt>
</TxtMsg>
</Document>
</Data>
</PrtryData>
</CshMgmtPrtryMsg>
</Document>
```

Example 6

MT999: SWIFT-registered participant sends Text message to the participants of selected types

```
{1:F01CCCCCKWKWXXXX}{2:O999BUNNAEAAXXXXXN}{3:{108:1909290001000968}}{4:  
:20:R34234523E8  
:21:707281611261702  
:79:/TEXT/1909290902+0400  
/TOTP/BP.CO  
/FRSW/AAAAKWKW  
/IMPT/REQU  
from SWIFT-participant to selected type  
-}
```

MX equivalent

```
<?xml version="1.0" encoding="utf-8"?>  
<!-- Application header -->  
<AppHdr xmlns="urn:iso:std:iso:20022:tech:xsd:head.001.001.01">  
<!-- Message Sender -->  
  <Fr>  
    <FIld>  
      <FinInstnId>  
        <BICFI>BUNNAEAA</BICFI>  
      </FinInstnId>  
    </FIld>  
  </Fr>  
<!-- Message Receiver -->  
  <To>  
    <FIld>  
      <FinInstnId>  
        <BICFI>CCCCCKWKW</BICFI>  
      </FinInstnId>  
    </FIld>  
  </To>  
<!-- Message Reference -->  
  <BizMsgldr>190929BUNNAEAAXXXXX0001000968</BizMsgldr>  
<!-- Message Type -->
```

```
<MsgDefldr>camt.998.001.03</MsgDefldr>
```

```
<!-- Message Creation Date/Time-->
```

```
<CreDt>2019-09-29T09:02:01Z</CreDt>
```

```
<Rltd>
```

```
<!-- Related Message Sender -->
```

```
<Fr>
```

```
<FIld>
```

```
<FinInstnId>
```

```
<BICFI>AAAAKWKW</BICFI>
```

```
</FinInstnId>
```

```
</FIld>
```

```
</Fr>
```

```
<!-- Related Message Receiver -->
```

```
<To>
```

```
<FIld>
```

```
<FinInstnId>
```

```
<BICFI>BUNNAEAA</BICFI>
```

```
</FinInstnId>
```

```
</FIld>
```

```
</To>
```

```
<!-- Related Message Reference -->
```

```
<BizMsgldr>707281611261702</BizMsgldr>
```

```
<!-- Related Message Type -->
```

```
<MsgDefldr>camt.998.001.03</MsgDefldr>
```

```
<!-- Related Message Creation Date/Time-->
```

```
<CreDt>2019-09-29T09:02:00Z</CreDt>
```

```
</Rltd>
```

```
</AppHdr>
```

```
<!-- Document -->
```

```
<Document xmlns="urn:swift:xsd:camt.998.001.03">
```

```
<CshMgmtPrtryMsg>
```

```
<MsgHdr>
```

```
<!-- Unique message reference -->
```

```
<MsgId>R34234523E8</MsgId>
```

```
</MsgHdr>
```

```
<Rltd>
```

```

<Ref>707281611261702</Ref>
</Rltd>
<PrtryData>
  <Tp>cma.textMessage.001.02</Tp>
  <Data>

<!-- from SWIFT-participant to selected types -->
  <Document xmlns="urn:cma:xsd:cma.textMessage.001.02">
    <TxtMsg>
      <Rcvr>
        <RcvrTp>

<!-- Participant Type to whom the receivers belong -->
        <PrtcTp>BP</PrtcTp>

<!-- Institution Type to whom the receivers belong -->
        <InstnTp>CO</InstnTp>
      </RcvrTp>
    </Rcvr>

<!-- Participant who is sender of the message -->
    <Sndr>
      <BICFI>AAAAKWKW</BICFI>
    </Sndr>

<!-- Type of text: REQU=request -->
    <Impt>REQU</Impt>

<!-- Text to be delivered -->
    <Txt>from SWIFT-participant to selected types</Txt>
  </TxtMsg>
</Document>
</Data>
</PrtryData>
</CshMgmtPrtryMsg>
</Document>

```

Example 7

MT999: non-SWIFT-registered participant sends Text message to all participants

```
{1:F01CCCCCKWKWXXXX}{2:O999BUNNAEAAXXXN}{3:{108:1909290001000969}}{4:
```



:20:R34234523E9
:21:707281611261702
:79:/TEXT/1909290902+0400
/TOAL/
/FRMB/BBBBKWKW
/IMPT/REQU
from non-SWIFT-registered Participant
to all participants
-}

MX equivalent

```
<?xml version="1.0" encoding="utf-8"?>  
<!-- Application header -->  
<AppHdr xmlns="urn:iso:std:iso:20022:tech:xsd:head.001.001.01">  
<!-- Message Sender -->  
  <Fr>  
    <FIld>  
      <FinInstnId>  
        <BICFI>BUNNAEAA</BICFI>  
      </FinInstnId>  
    </FIld>  
  </Fr>  
<!-- Message Receiver -->  
  <To>  
    <FIld>  
      <FinInstnId>  
        <BICFI>CCCCKWKW</BICFI>  
      </FinInstnId>  
    </FIld>  
  </To>  
<!-- Message Reference -->  
  <BizMsgldr>190929BUNNAEAAXXX0001000969</BizMsgldr>  
<!-- Message Type -->  
  <MsgDefldr>camt.998.001.03</MsgDefldr>  
<!-- Message Creation Date/Time-->  
  <CreDt>2019-09-29T09:02:01Z</CreDt>
```



```
<Rltd>
<!-- Related Message Sender -->
  <Fr>
    <FIld>
      <FinInstnId>
        <ClrSysMmbld><Mmbld>BBBBKWKW</Mmbld></ClrSysMmbld>
      </FinInstnId>
    </FIld>
  </Fr>
<!-- Related Message Receiver -->
  <To>
    <FIld>
      <FinInstnId>
        <BICFI>BUNNAEAA</BICFI>
      </FinInstnId>
    </FIld>
  </To>
<!-- Related Message Reference -->
  <BizMsgIdr>707281611261702</BizMsgIdr>
<!-- Related Message Type -->
  <MsgDefldr>camt.998.001.03</MsgDefldr>
<!-- Related Message Creation Date/Time-->
  <CreDt>2019-09-29T09:02:00Z</CreDt>
</Rltd>
</AppHdr>
<!-- Document -->
<Document xmlns="urn:swift:xsd:camt.998.001.03">
  <CshMgmtPrtryMsg>
    <MsgHdr>
<!-- Unique message reference -->
      <MsgId>R34234523E9</MsgId>
    </MsgHdr>
  <Rltd>
    <Ref>707281611261702</Ref>
  </Rltd>
  <PrtryData>
```

```

<Tp>cma.textMessage.001.02</Tp>
<Data>
<!-- from non-SWIFT-registered Participant to all participants -->
<Document xmlns="urn:cma:xsd:cma.textMessage.001.02">
  <TxtMsg>
    <Rcvr>
<!-- All Participants are receivers of text message -->
      <All>true</All>
    </Rcvr>
    <Sndr>
<!-- non-SWIFT-registered Participant who is sender of the message -->
      <ClrSysMmbld>
        <Mmbld>BBBBBKWKW</Mmbld>
      </ClrSysMmbld>
    </Sndr>
<!-- Type of text: REQU=request -->
    <Impt>REQU</Impt>
<!-- Text to be delivered -->
    <Txt>from non-SWIFT-registered Participant
to all participants</Txt>
  </TxtMsg>
</Document>
</Data>
</PrtryData>
</CshMgmtPrtryMsg>
</Document>

```

Example 8

MT999: SWIFT-registered participant sends Text message to all participants

```

{1:F01CCCCCKWKWXXXX}{2:O999BUNNAEAAAXXXN}{3:{108:1909290001000970}}{4:
:20:R34234523E10
:21:707281611261702
:79:/TEXT/1909290902+0400
/TOAL/

```

```
/FRSW/AAAAKWKW  
/IMPT/INFO  
from SWIFT-registered Participant  
to all participants  
-}
```

MX equivalent

```
<?xml version="1.0" encoding="utf-8"?>  

```

```
<FinInstnId>
  <BICFI>AAAAKWKW</BICFI>
</FinInstnId>
</FIld>
</Fr>
```

<!-- Related Message Receiver -->

```
<To>
  <FIld>
    <FinInstnId>
      <BICFI>BUNNAEAA</BICFI>
    </FinInstnId>
  </FIld>
</To>
```

<!-- Related Message Reference -->

```
<BizMsgIdr>707281611261702</BizMsgIdr>
```

<!-- Related Message Type -->

```
<MsgDefldr>camt.998.001.03</MsgDefldr>
```

<!-- Related Message Creation Date/Time-->

```
<CreDt>2019-09-29T09:02:00Z</CreDt>
</Rltd>
</AppHdr>
```

<!-- Document -->

```
<Document xmlns="urn:swift:xsd:camt.998.001.03">
  <CshMgmtPrtryMsg>
    <MsgHdr>
```

<!-- Unique message reference -->

```
<MsgId>R34234523E10</MsgId>
</MsgHdr>
<Rltd>
  <Ref>707281611261702</Ref>
</Rltd>
<PrtryData>
  <Tp>cma.textMessage.001.02</Tp>
  <Data>
```

<!-- SWIFT-registered participant sends Text message all participants -->

```

<Document xmlns="urn:cma:xsd:cma.textMessage.001.02">
  <TxtMsg>
    <Rcvr>
<!-- All Participants are receivers of text message -->
      <All>true</All>
    </Rcvr>
    <Sndr>
<!-- SWIFT registered Participant who is sender of the message -->
      <BICFI>AAAAKWKW</BICFI>
    </Sndr>
<!-- Type of text: INFO=information -->
    <Impt>INFO</Impt>
<!-- Text to be delivered -->
    <Txt>from SWIFT-registered Participant
to all participants</Txt>
  </TxtMsg>
</Document>
</Data>
</PrtryData>
</CshMgmtPrtryMsg>
</Document>

```

8.2 BUSINESS DAY

8.2.1 MT999/GSCD ≡ CAMT.018: REQUESTING BUSINESS DAY TIMETABLE OR TEMPLATE

Please refer to [1.11] for the description of the fields of message header which are not described in the table below.

Format of MT999/GSCD ≡ camt.018: Requesting business day timetable or template.

SWIFT Status	MT Tag	MT Field Name	MT Format	Buna Status	Comment	Example	XPath in head.001 and camt.018
M	Block 2	Message type	3!n	M	MT: SWIFT message type. MX: MX message type	MT: 999 MX: camt.018.001.05	AppHdr + MsgDefldr Document AND



SWIFT Status	MT Tag	MT Field Name	MT Format	Buna Status	Comment	Example	XPath in head.001 and camt.018
M	20	Transaction Reference Number	16x	M	Unique reference assigned by the Sender of the text message	CAMT018-20220422	Document + GetBizDayInf ++ MsgHdr +++ MsgId
M	79	Narrative	/4!c/	M	GSCD fixed value. MT message is translated to MX camt.018	MT: /GSCD/ MX: GETBUSINESSDAYPERIOD	Document + GetBizDayInf ++ BizDayInfQryDef +++ Crit ++++ NewCrit +++++ SchCrit ++++++ EvtTp +++++++ Prtry +++++++ Id
			/DATE/6!c	O	Settlement cycle (business) day which timetable is requested	MT: /DATE/200422 MT: 2020-04-22	Document + GetBizDayInf ++ BizDayInfQryDef +++ Crit ++++ NewCrit +++++ SchCrit ++++++ SysDt
			/STRM/35x	O	Settlement stream: Buna or FHI which timetable is requestd.	MT: /STRM/SSYS.BUNNAEA A MX: SSYS.BUNNAEAA	Document + GetBizDayInf ++ BizDayInfQryDef +++ Crit ++++ NewCrit +++++ SchCrit ++++++ SysId +++++++ MktInfrstrctrId +++++++ Prtry

MT999: Information on current settlement cycle day

{1:F01GBPSOMRUXXXX}{2:I999BUNNAEAAXXXN}{3:{108:CAMT018-20220422}}{4:

```
:20:CAMT018-20220422  
:79:/GSCD/  
/DATE/200422  
/STRM/SSYS.BUNNAEAA  
-}
```

MX equivalent

```
<?xml version="1.0" encoding="utf-8"?>  
<!-- Application header -->  
<AppHdr xmlns="urn:iso:std:iso:20022:tech:xsd:camt.018.001.01">  
<!-- Message Sender -->  
<Fr>  
  <FIld>  
    <FinInstnId>  
      <BICFI>GBPSOMRU</BICFI>  
    </FinInstnId>  
  </FIld>  
</Fr>  
<!-- Message Receiver -->  
<To>  
  <FIld>  
    <FinInstnId>  
      <BICFI>BUNNAEAA</BICFI>  
    </FinInstnId>  
  </FIld>  
</To>  
<!-- Message Reference -->  
<BizMsgHdr>CAMT018-20220422</BizMsgHdr>  
<!-- Message Type -->  
<MsgDefldr>camt.018.001.05</MsgDefldr>  
<!-- Message Creation Date/Time-->  
<CreDt>2019-07-26T20:19:07Z</CreDt>  
</AppHdr>  
<!-- Document -->  
<Document xmlns="urn:iso:std:iso:20022:tech:xsd:camt.018.001.05">
```

```
<GetBizDayInf>
  <MsgHdr>
    <MsgId>CAMT018-20220422</MsgId>
    <CreDtTm>2020-04-22T20:19:07+04:00</CreDtTm>
  </MsgHdr>
  <BizDayInfQryDef>
    <Crit>
      <NewCrit>
        <SchCrit>
          <SysDt>2020-04-22</SysDt>
          <SysId>
            <MktInfrstrctrId>
              <Prtry>SSYS.BUNNAEAA</Prtry>
            </MktInfrstrctrId>
          </SysId>
          <EvtTp>
            <Prtry>
              <Id>GETBUSINESSDAYPERIOD</Id>
            </Prtry>
          </EvtTp>
        </SchCrit>
      </NewCrit>
    </Crit>
  </BizDayInfQryDef>
</GetBizDayInf>
</Document>
```

8.2.2 MT999/SCDW ≡ CAMT.019: DAY TIMETABLE CHANGE NOTIFICATION

Please refer to [1.11] for the description of the fields of message header which are not described in the table below.

SWIFT Status	MT Tag	MT Field Name	MT Format	Buna Status	Comment	Example	XPath in head.001 and camt.019
			/STRM/35x	M	Settlement Stream.	MT: /STRM/SSYS.BUNNAEAA MX: SSYS.BUNNAEAA	Document + RtrBizDayInf ++ RptOrErr +++ BizRpt ++++ SysId +++++ MktInfrstrctrlId ++++++ Prtry
			→ Start of repetitive sequence				
			/4!c/	M	Prefix PREV if both StartTm and EndTm are present. Prefix CRNT if StartTm is present. Prefix NEXT if StartTm is not present.	MT: /PREV/2004220005/Overnig ht processing	--
			6!n4!n	M	Sheduled start time of period/window	MT: /PREV/2004220005/Overnig ht processing MX: 2020-04-22T00:05:00	Document + RtrBizDayInf ++ RptOrErr +++ BizRpt ++++ BizDayOrErr +++++ BizDayInf ++++++ SysInfPerCcy +++++++ Evt +++++++ SchldIdTm

SWIFT Status	MT Tag	MT Field Name	MT Format	Buna Status	Comment	Example	XPath in head.001 and camt.019
			/33x	M	Business day period name	MT: /PREV/2004220005/ Overnight processing MX: Overnight processing	Document + RtrBizDayInf ++ RptOrErr +++ BizRpt ++++ BizDayOrErr +++++ BizDayInf ++++++ SysInfPerCcy +++++++ Evt +++++++ Tp +++++++ Prtry +++++++ Id
			/STRT/6!n4!n[1!x4!n]	O	Actual start time of period/window	MT: /STRT/2004220005+0400 MX: 2020-04-22T00:05:19	Document + RtrBizDayInf ++ RptOrErr +++ BizRpt ++++ BizDayOrErr +++++ BizDayInf ++++++ SysInfPerCcy +++++++ Evt +++++++ StartTm
			/ENDT/6!n4!n[1!x4!n]	O	Actual end time of period/window	MT: /ENDT/2004220030+0400 MX: 2020-04-22T00:30:10	Document + RtrBizDayInf ++ RptOrErr +++ BizRpt ++++ BizDayOrErr +++++ BizDayInf ++++++ SysInfPerCcy +++++++ Evt +++++++ EndTm
				--	End of repetitive sequence		

MT999: Information on current settlement cycle day

```
{1:F01GBPSOMRUXXX}{2:O999BUNNAEAXXXN}{3:{108:1909290001000971}}{4:
:20:R3596/BDR
:79:/SCDW/2004221016+0400
/DATE/200422
/STRM/SSYS.BUNNAEAA
/PREV/2004180000/Start of business day
/STRT/2004220000+0400/ENDT/2004220005+0400
/PREV/2004220005/Overnight processing
/STRT/2004220005+0400/ENDT/2004220030+0400
/CRNT/2004220830/Business window
/STRT/2004220830+0400
/NEXT/2004222300/Billing
/NEXT/2004222305/Reconciliation
/NEXT/2004222335/Archiving
/NEXT/2004222355/End of business day
-}
```

MX equivalent

```
<?xml version="1.0" encoding="utf-8"?>
<!-- Application header -->
<AppHdr xmlns="urn:iso:std:iso:20022:tech:xsd:head.001.001.01">
<!-- Message Sender -->
  <Fr>
    <FIId>
      <FinInstnId>
        <BICFI>BUNNAEAA</BICFI>
      </FinInstnId>
    </FIId>
  </Fr>
<!-- Message Receiver -->
  <To>
    <FIId>
      <FinInstnId>
        <BICFI>GBPSOMRU</BICFI>
      </FinInstnId>
    </FIId>
  </To>
</AppHdr>
```

```
</FIld>
</To>
<!-- Message Reference -->
<BizMsgldr>190929BUNNAEAAXXX0001000971</BizMsgldr>
<!-- Message Type -->
<MsgDefldr>camt.019.001.07</MsgDefldr>
<!-- Message Creation Date/Time-->
<CreDt>2019-09-29T20:19:08Z</CreDt>

<Rltd>
<!-- Sender of related message-->
<Fr>
  <FIld>
    <FinInstnId>
      <BICFI>GBPSOMRU</BICFI>
    </FinInstnId>
  </FIld>
</Fr>
<!-- Message Receiver of related message -->
<To>
  <FIld>
    <FinInstnId>
      <BICFI>BUNNAEAA</BICFI>
    </FinInstnId>
  </FIld>
</To>
<!-- Message Reference of related message-->
<BizMsgldr>CAMT018-20220422</BizMsgldr>
<!-- Message Type -->
<MsgDefldr>camt.018.001.05</MsgDefldr>
<!-- Message Creation Date/Time-->
<CreDt>2019-07-26T20:19:07Z</CreDt>
</Rltd>
</AppHdr>

<!-- Document -->
<Document xmlns="urn:iso:std:iso:20022:tech:xsd:camt.019.001.07">
```

```
<RtrBizDayInf>
  <MsgHdr>
    <MsgId>R3596/BDR</MsgId>
    <CreDtTm>2020-04-22T10:16:19+04:00</CreDtTm>
    <OrgnlBizQry>
      <MsgId>CAMT018-20220422</MsgId>
      <MsgNmId>camt.018.001.05</MsgNmId>
      <CreDtTm>2020-04-22T10:16:15+04:00</CreDtTm>
    </OrgnlBizQry>
  </MsgHdr>
  <RptOrErr>
    <BizRpt>
      <SysId>
        <MktInfrstrctrId>
          <Prtry>SSYS.BUNNAEAA</Prtry>
        </MktInfrstrctrId>
      </SysId>
      <BizDayOrErr>
        <BizDayInf>
          <SysDt>
            <Dt>2020-04-22</Dt>
          </SysDt>
          <SysInfPerCcy>
            <Evt>
              <Tp>
                <Prtry>
                  <Id>Start of business day</Id>
                </Prtry>
              </Tp>
              <SchldTm>2020-04-22T00:00:00</SchldTm>
              <StartTm>2020-04-22T00:00:01</StartTm>
              <EndTm>2020-04-22T00:05:19</EndTm>
            </Evt>
            <Evt>
              <Tp>
                <Prtry>
                  <Id>Overnight processing</Id>
                </Prtry>
              </Tp>
            </Evt>
          </SysInfPerCcy>
        </BizDayInf>
      </BizDayOrErr>
    </BizRpt>
  </RptOrErr>
</RtrBizDayInf>
```

```
</Prtry>
</Tp>
<SchldTm>2020-04-22T00:05:00</SchldTm>
<StartTm>2020-04-22T00:05:19</StartTm>
<EndTm>2020-04-22T00:30:10</EndTm>
</Evt>
<Evt>
  <Tp>
    <Prtry>
      <Id>Business window</Id>
    </Prtry>
  </Tp>
  <SchldTm>2020-04-22T08:30:00</SchldTm>
  <StartTm>2020-04-22T08:30:10</StartTm>
</Evt>
<Evt>
  <Tp>
    <Prtry>
      <Id>Billing</Id>
    </Prtry>
  </Tp>
  <SchldTm>2020-04-22T23:00:00</SchldTm>
</Evt>
<Evt>
  <Tp>
    <Prtry>
      <Id>Reconciliation</Id>
    </Prtry>
  </Tp>
  <SchldTm>2020-04-22T23:05:00</SchldTm>
</Evt>
<Evt>
  <Tp>
    <Prtry>
      <Id>Archiving</Id>
    </Prtry>
  </Tp>
```

```

    <SchdldTm>2020-04-22T23:35:00</SchdldTm>
  </Evt>
  <Evt>
    <Tp>
      <Prtry>
        <Id>End of business day</Id>
      </Prtry>
    </Tp>
    <SchdldTm>2020-04-22T23:55:00</SchdldTm>
  </Evt>
</SysInfPerCcy>
</BizDayInf>
</BizDayOrErr>
</BizRpt>
</RptOrErr>
</RtrBizDayInf>
</Document>

```

8.3 SYSTEM CALENDAR

8.3.1 MT999/GCLD ≡ REDA.064: GET CALENDAR

Please refer to [1.11] for the description of the fields of message header which are not described in the table below.

Format of MT999/GCLD ≡ reda.064: Get Calendar

SWIFT Status	MT Tag	MT Field Name	MT Format	Buna Status	Comment	Example	XPath in head.001 and reda.064
M	Block 2	Message type	3!n	M	MT: SWIFT message type. MX: MX message type	MT: 999 MX: reda.064.001.01	AppHdr + MsgDefldr Document

SWIFT Status	MT Tag	MT Field Name	MT Format	Buna Status	Comment	Example	XPath in head.001 and reda.064
M	20	Transaction Reference Number	16x	M	Unique reference assigned by the Sender of the text message	345345	Document + CalQry ++ MsgHdr +++ MsgId
M	79	Narrative	/4!a/	M	Type of proprietary message	MT: /GCLD/1909290902+0400 MX: reda.064.001.01	Document
			6!n4!n1!x4!n	O	Date/Time of message creation	MT: /GCLD/1909290902+0400 MX: 2019-09-29T09:02:00+04:00	Document + CalQry ++ MsgHdr +++ CreDtTm
			/CTRY/2!a	M	Country code	MT: /CTRY/AE MX: AE	Document + CalQry ++ SchCrit +++ Svc ++++ SysId +++++ Ctry
			/CRCY/3!a	M	Currency code	MT: /CRCY/AED MX: AED	Document + CalQry ++ SchCrit +++ Svc ++++ SysCcy
				→	Start of repetitive field		
			/MNTH/4!n	M	Requested year	MT: /MNTH/201908 MX: 2019	Document + CalQry ++ SchCrit +++ Yr

SWIFT Status	MT Tag	MT Field Name	MT Format	Buna Status	Comment	Example	XPath in head.001 and reda.064
			2!n		Requested month	MT: /MNTH/201908 MX: 08	Document + CalQry ++ SchCrit +++ Mnth
				--	End of repetitive field		

There may be the following options in the request:

- there is a year, there is a month - Buna returns the dates of the month;
- no year, but there is a month - Buna returns the requested month of the current year;
- there is a year but no month - Buna returns all the months of the requested year;
- no month, no year – Buna returns the current month of the current year

Example 1

MT999: Requesting the calendar for the month (July) of the year (2020)

```
{1:F01GBPSOMRUXXX}{2:I999BUNNAEAXXXN}{3:{108:REDA064-20220422}}{4:
:20:REDA064-21012511
:79:/GCLD/
/CTRY/AE
/CRCY/AED
/MNTH/202007
-}
```

MX Equivalent

```
<?xml version="1.0" encoding="utf-8"?>
<!-- Application header -->
<AppHdr xmlns="urn:iso:std:iso:20022:tech:xsd:head.001.001.01">
```

<!-- Message Sender -->

```
<Fr>
  <FIld>
    <FinInstnId>
      <BICFI>GBPSOMRU</BICFI>
    </FinInstnId>
  </FIld>
</Fr>
```

<!-- Message Receiver -->

```
<To>
  <FIld>
    <FinInstnId>
      <BICFI>BUNNAEAA</BICFI>
    </FinInstnId>
  </FIld>
</To>
```

<!-- Message Reference -->

```
<BizMsgldr>REDA064-21012511</BizMsgldr>
```

<!-- Message Type -->

```
<MsgDefldr>reda.064.001.01</MsgDefldr>
```

<!-- Message Creation Date/Time-->

```
<CreDt>2021-01-26T13:40:25Z</CreDt>
</AppHdr>
```

<!-- Document -->

```
<Document xmlns="urn:iso:std:iso:20022:tech:xsd:reda.064.001.01">
  <CalQry>
    <MsgHdr>
      <Msgld>REDA064-21012511</Msgld>
    </MsgHdr>
    <SchCrit>
      <Yr>2020</Yr>
      <Mnth>--07</Mnth>
    </SchCrit>
    <Svc>
      <Sysld>
        <Ctry>AE</Ctry>
      </Sysld>
    </Svc>
  </CalQry>
</Document>
```

```
<SysCcy>AED</SysCcy>
</Svc>
</SchCrit>
</CalQry>
</Document>
```

Example 2

MT999: Requesting the calendar for the month (July) of the current year (2021)

```
{1:F01GBPSOMRUXXX}{2:I999BUNNAEAXXXN}{3:{108:REDA064-21012512}}{4:
:20:REDA064-21012512
:79:/GCLD/
/CTRY/AE
/CRCY/AED
/MNTH/07
-}
```

MX Equivalent

```
<?xml version="1.0" encoding="utf-8"?>
<!-- Application header -->
<AppHdr xmlns="urn:iso:std:iso:20022:tech:xsd:head.001.001.01">
<!-- Message Sender -->
  <Fr>
    <FIld>
      <FinInstnId>
        <BICFI>GBPSOMRU</BICFI>
      </FinInstnId>
    </FIld>
  </Fr>
<!-- Message Receiver -->
  <To>
    <FIld>
      <FinInstnId>
        <BICFI>BUNNAEAA</BICFI>
      </FinInstnId>
    </FIld>
  </To>
</AppHdr>
```

```

</FIld>
</To>
<!-- Message Reference -->
<BizMsgldr>REDA064-21012512</BizMsgldr>
<MsgDefldr>reda.064.001.01</MsgDefldr>
<CreDt>2021-01-26T13:43:06Z</CreDt>
</AppHdr>
<!-- Document -->
<Document xmlns="urn:iso:std:iso:20022:tech:xsd:reda.064.001.01">
  <CalQry>
    <MsgHdr>
      <MsgId>REDA064-21012512</MsgId>
    </MsgHdr>
    <SchCrit>
      <Mnth>--07</Mnth>
      <Svc>
        <SysId>
          <Ctry>AE</Ctry>
        </SysId>
        <SysCcy>AED</SysCcy>
      </Svc>
    </SchCrit>
  </CalQry>
</Document>

```

Example 3

MT999: Requesting the calendar for the year (2020)

```

{1:F01GBPSOMRUXXXX}{2:I999BUNNAEAXXXXN}{3:{108:REDA064-21012513}}{4:
:20:REDA064-21012513
:79:/GCLD/
/CTRY/AE
/CRCY/AED
/MNTH/2020
-}

```

MX Equivalent

```
<?xml version="1.0" encoding="utf-8"?>
<!-- Application header -->
<AppHdr xmlns="urn:iso:std:iso:20022:tech:xsd:head.001.001.01">
<!-- Message Sender -->
  <Fr>
    <FIld>
      <FinInstnId>
        <BICFI>GBPSOMRU</BICFI>
      </FinInstnId>
    </FIld>
  </Fr>
<!-- Message Receiver -->
  <To>
    <FIld>
      <FinInstnId>
        <BICFI>BUNNAEAA</BICFI>
      </FinInstnId>
    </FIld>
  </To>
<!-- Message Reference -->
  <BizMsgId>REDA064-21012513</BizMsgId>
  <MsgDefId>reda.064.001.01</MsgDefId>
  <CreDt>2021-01-26T13:46:33Z</CreDt>
</AppHdr>
<!-- Document -->
<Document xmlns="urn:iso:std:iso:20022:tech:xsd:reda.064.001.01">
  <CalQry>
    <MsgHdr>
      <MsgId>REDA064-21012513</MsgId>
    </MsgHdr>
    <SchCrit>
      <Yr>2020</Yr>
    </SchCrit>
    <Svc>
      <SysId>
        <Ctry>AE</Ctry>
      </SysId>
    </Svc>
  </CalQry>
</Document>
```

```
<SysCcy>AED</SysCcy>
</Svc>
</SchCrit>
</CalQry>
</Document>
```

Example 4

MT999: Requesting calendar for the current month (January) of the current year (2021)

```
{1:F01GBPSOMRUXXX}{2:I999BUNNAEAXXXN}{3:{108:REDA064-21012514}}{4:
:20:REDA064-21012514
:79:/GCLD/
/CTRY/AE
/CRCY/AED
/MNTH/
-}
```

MX Equivalent

```
<?xml version="1.0" encoding="utf-8"?>
<!-- Application header -->
<AppHdr xmlns="urn:iso:std:iso:20022:tech:xsd:head.001.001.01">
<!-- Message Sender -->
<Fr>
  <FIld>
    <FinInstnId>
      <BICFI>GBPSOMRU</BICFI>
    </FinInstnId>
  </FIld>
</Fr>
<!-- Message Receiver -->
<To>
  <FIld>
    <FinInstnId>
      <BICFI>BUNNAEAA</BICFI>
    </FinInstnId>
  </FIld>
```

```

</To>
<!-- Message Reference -->
<BizMsgId>REDA064-21012514</BizMsgId>
<MsgDefId>reda.064.001.01</MsgDefId>
<CreDt>2021-01-26T13:49:11Z</CreDt>
</AppHdr>
<!-- Document -->
<Document xmlns="urn:iso:std:iso:20022:tech:xsd:reda.064.001.01">
  <CalQry>
    <MsgHdr>
      <MsgId>REDA064-21012514</MsgId>
    </MsgHdr>
    <SchCrit>
      <Svc>
        <SysId>
          <Ctry>AE</Ctry>
        </SysId>
        <SysCcy>AED</SysCcy>
      </Svc>
    </SchCrit>
  </CalQry>
</Document>

```

8.3.2 MT999/CLDR ≡ REDA.065: RETURN CALENDAR

Please refer to [1.11] for the description of the fields of message header which are not described in the table below.

Format of MT999/CLDR ≡ reda.065: Return Calendar

SWIFT Status	MT Tag	MT Field Name	MT Format	Buna Status	Comment	Example	Xpath in head.001 and reda.065
M	Block 2	Message type	3!n	M	MT:SWIFT message type. MX: MX message type	MT: 999 MX: reda.065.001.01	AppHdr + MsgDefId AND Document



SWIFT Status	MT Tag	MT Field Name	MT Format	Buna Status	Comment	Example	Xpath in head.001 and reda.065
M	20	Transaction Reference Number	16x	M	Unique reference assigned by the Sender of the text message	R3596/BDR	Document + CalRpt ++ MsgHdr +++ MsgId
O	21	Related reference	16x	O	Reference of the message if the current message is sent as reply	CAMT018-20220422	Document + CalRpt ++ MsgHdr +++ OrgnlBizQry ++++ MsgId
M	79	Narrative	/4!a/	M	Type of proprietary message: CLDR fixed value in MT	MT: /CLDR/1909290902+0400/PAGE/1 MX: reda.065.001.01	Document
			[6!n4!n1!x4!n]	M	Date/Time of message creation	MT: /CLDR/1909290902+0400/PAGE/1 MX: 2019-09-29T09:02:00+04:00	Document + CalRpt ++ MsgHdr +++ CreDtTm
			/PAGE/5n	O	Report number (see note below)	MT: /CLDR/1909290902+0400/PAGE/1	--
			/CTRY/35x	MA	Country	MT: /CTRY/AE MX: AE	Document + CalRpt ++ RptOrErr +++ CalRpt ++++ Svc +++++ SysId ++++++ Ctry



where: <yyyy> - represents the year (e.g. 2019) <mm> - represents the month (e.g. 08), <H|W|U> - sequence of 'characters that represent the days of the month specified by the first two fields. (e.g. UUUWWWWWWHHWWWWWWHH)

The encoding for days' types is as follows:

- H : for a non-working day (i.e. holyday)
- W : for a working business day.
- U — type is unknown because it is not included in the report.

As general rule U is used when the month is the first or the last in the reporting period.

Note:

If there are a lot of months in the calendar, and the field 79 might exceeds 35 lines, then several MT999 are generated.

Message number is placed after the report creation time after /PAGE/ keyword.

Example 1

MT999: Information on the calendar for the month (July) of the year (2020)

```
{1:F01GBPSOMRUXXX}{2:O999BUNNAEAXXXN}{3:{108:1909290001000973}}{4:
:20:R71395/999
:79:/CLDR/2101261440+0300
/CTRY/AE
/CRCY/AED
/MNTH/202007WWWWWWWWWWWWWWWWWWWWWWWWWWWWWWWWWWWWWWWWWWWW
-}
```

MX Equivalent

```
<?xml version="1.0" encoding="utf-8"?>
<!-- Application header -->
<AppHdr xmlns="urn:iso:std:iso:20022:tech:xsd:head.001.001.01">
<!-- Message Sender -->
  <Fr>
    <FIId>
```

```
    <FinInstnId>
      <BICFI>BUNNAEAA</BICFI>
    </FinInstnId>
  </FIId>
</Fr>
<!-- Message Receiver -->
```

```

<To>
  <FIld>
    <FinInstnId>
      <BICFI>GBPSOMRU</BICFI>
    </FinInstnId>
  </FIld>
</To>
<!-- Message Reference -->
<BizMsglDr>190929BUNNAEAAXXX0001000973</BizMsglDr>
<!-- Message Type -->
<MsgDeflDr>reda.065.001.01</MsgDeflDr>
<!-- Message Creation Date/Time-->
<CreDt>2021-01-26T13:40:26Z</CreDt>

<Rltd>
<!-- Sender of related message-->
<Fr>
  <FIld>
    <FinInstnId>
      <BICFI>GBPSOMRU</BICFI>
    </FinInstnId>
  </FIld>
</Fr>
<!-- Message Receiver of related message -->
<To>
  <FIld>
    <FinInstnId>
      <BICFI>BUNNAEAA</BICFI>
    </FinInstnId>
  </FIld>
</To>
<!-- Message Reference of related message-->
<BizMsglDr>REDA064-21012511</BizMsglDr>
<!-- Message Type -->
<MsgDeflDr>reda.064.001.01</MsgDeflDr>
<!-- Message Creation Date/Time-->
<CreDt>2021-01-26T13:40:25Z</CreDt>

```

```

</Rltd>
</AppHdr>
<!-- Document -->
<Document xmlns="urn:iso:std:iso:20022:tech:xsd:reda.065.001.01">
  <CalRpt>
    <MsgHdr>
      <MsglD>R71395/999</MsglD>
      <CreDtTm>2021-01-26T13:40:25.556+02:00</CreDtTm>
    </MsgHdr>
    <RptOrErr>
      <CalRpt>
        <Svc>
          <SysId>
            <Ctry>AE</Ctry>
          </SysId>
          <SysCcy>AED</SysCcy>
        </Svc>
        <CalOrErr>
          <CalData>
            <SysDt>2020-07-01</SysDt>
            <SysSts>
              <Cd>ACTV</Cd>
            </SysSts>
          </CalData>
          <CalData>
            <SysDt>2020-07-02</SysDt>
            <SysSts>
              <Cd>ACTV</Cd>
            </SysSts>
          </CalData>
          <CalData>
            <SysDt>2020-07-03</SysDt>
            <SysSts>
              <Cd>ACTV</Cd>
            </SysSts>
          </CalData>

```

```
<CalData>
<SysDt>2020-07-04</SysDt>
<SysSts>
  <Cd>ACTV</Cd>
</SysSts>
</CalData>
<CalData>
<SysDt>2020-07-05</SysDt>
<SysSts>
  <Cd>ACTV</Cd>
</SysSts>
</CalData>
<CalData>
<SysDt>2020-07-06</SysDt>
<SysSts>
  <Cd>ACTV</Cd>
</SysSts>
</CalData>
<CalData>
<SysDt>2020-07-07</SysDt>
<SysSts>
  <Cd>ACTV</Cd>
</SysSts>
</CalData>
<CalData>
<SysDt>2020-07-08</SysDt>
<SysSts>
  <Cd>ACTV</Cd>
</SysSts>
</CalData>
<CalData>
<SysDt>2020-07-09</SysDt>
<SysSts>
  <Cd>ACTV</Cd>
</SysSts>
</CalData>
<CalData>
```

```
<SysDt>2020-07-10</SysDt>
<SysSts>
  <Cd>ACTV</Cd>
</SysSts>
</CalData>
<CalData>
<SysDt>2020-07-11</SysDt>
<SysSts>
  <Cd>ACTV</Cd>
</SysSts>
</CalData>
<CalData>
<SysDt>2020-07-12</SysDt>
<SysSts>
  <Cd>ACTV</Cd>
</SysSts>
</CalData>
<CalData>
<SysDt>2020-07-13</SysDt>
<SysSts>
  <Cd>ACTV</Cd>
</SysSts>
</CalData>
<CalData>
<SysDt>2020-07-14</SysDt>
<SysSts>
  <Cd>ACTV</Cd>
</SysSts>
</CalData>
<CalData>
<SysDt>2020-07-15</SysDt>
<SysSts>
  <Cd>ACTV</Cd>
</SysSts>
</CalData>
<CalData>
<SysDt>2020-07-16</SysDt>
```

```
<SysSts>
  <Cd>ACTV</Cd>
</SysSts>
</CalData>
<CalData>
  <SysDt>2020-07-17</SysDt>
  <SysSts>
    <Cd>ACTV</Cd>
  </SysSts>
</CalData>
<CalData>
  <SysDt>2020-07-18</SysDt>
  <SysSts>
    <Cd>ACTV</Cd>
  </SysSts>
</CalData>
<CalData>
  <SysDt>2020-07-19</SysDt>
  <SysSts>
    <Cd>ACTV</Cd>
  </SysSts>
</CalData>
<CalData>
  <SysDt>2020-07-20</SysDt>
  <SysSts>
    <Cd>ACTV</Cd>
  </SysSts>
</CalData>
<CalData>
  <SysDt>2020-07-21</SysDt>
  <SysSts>
    <Cd>ACTV</Cd>
  </SysSts>
</CalData>
<CalData>
  <SysDt>2020-07-22</SysDt>
  <SysSts>
```

```
    <Cd>ACTV</Cd>
  </SysSts>
</CalData>
<CalData>
  <SysDt>2020-07-23</SysDt>
  <SysSts>
    <Cd>ACTV</Cd>
  </SysSts>
</CalData>
<CalData>
  <SysDt>2020-07-24</SysDt>
  <SysSts>
    <Cd>ACTV</Cd>
  </SysSts>
</CalData>
<CalData>
  <SysDt>2020-07-25</SysDt>
  <SysSts>
    <Cd>ACTV</Cd>
  </SysSts>
</CalData>
<CalData>
  <SysDt>2020-07-26</SysDt>
  <SysSts>
    <Cd>ACTV</Cd>
  </SysSts>
</CalData>
<CalData>
  <SysDt>2020-07-27</SysDt>
  <SysSts>
    <Cd>ACTV</Cd>
  </SysSts>
</CalData>
<CalData>
  <SysDt>2020-07-28</SysDt>
  <SysSts>
    <Cd>ACTV</Cd>
```

```

</SysSts>
</CalData>
<CalData>
  <SysDt>2020-07-29</SysDt>
  <SysSts>
    <Cd>ACTV</Cd>
  </SysSts>
</CalData>
<CalData>
  <SysDt>2020-07-30</SysDt>
  <SysSts>
    <Cd>ACTV</Cd>
  </SysSts>

```

```

</CalData>
<CalData>
  <SysDt>2020-07-31</SysDt>
  <SysSts>
    <Cd>ACTV</Cd>
  </SysSts>
</CalData>
</CalOrErr>
</CalRpt>
</RptOrErr>
</CalRpt>
</Document>

```

Example 2

MT999: Information on the calendar for the month (July) of the current year (2021)

```

{1:F01GBPSOMRUXXX}{2:O999BUNNAEAAXXXN}{3:{108:1909290001000972}}{4:
:20:R71396/999
:79:/CLDR/2101261443+0300
/CTRY/AE
/CRCY/AED
/MNTH/202107WWWWWWWWWWWWWWWWWWWWWWWWWWWWWWWWWWWWWWWWWWWW
-}

```

MX Equivalent

```

<?xml version="1.0" encoding="utf-8"?>
<!-- Application header -->
<AppHdr xmlns="urn:iso:std:iso:20022:tech:xsd:head.001.001.01">
<!-- Message Sender -->
  <Fr>
    <FIld>
      <FinInstnId>
        <BICFI>BUNNAEAA</BICFI>
      </FinInstnId>
    </FIld>

```

```

</Fr>
<!-- Message Receiver -->
  <To>
    <FIld>
      <FinInstnId>
        <BICFI>GBPSOMRU</BICFI>
      </FinInstnId>
    </FIld>
  </To>
<!-- Message Reference -->

```

```

<BizMsgHdr>190929BUNNAEAAXXX0001000972</BizMsgHdr>
<!-- Message Type -->
<MsgDefldr>reda.065.001.01</MsgDefldr>
<!-- Message Creation Date/Time-->
<CreDt>2021-01-26T13:43:07Z</CreDt>

<Rltd>
<!-- Sender of related message-->
<Fr>
  <FIld>
    <FinInstnId>
      <BICFI>GBPSOMRU</BICFI>
    </FinInstnId>
  </FIld>
</Fr>
<!-- Message Receiver of related message -->
<To>
  <FIld>
    <FinInstnId>
      <BICFI>BUNNAEAA</BICFI>
    </FinInstnId>
  </FIld>
</To>
<!-- Message Reference of related message-->
<BizMsgHdr>REDA064-21012512</BizMsgHdr>
<!-- Message Type -->
<MsgDefldr>reda.064.001.01</MsgDefldr>
<!-- Message Creation Date/Time-->
<CreDt>2021-01-26T13:43:06Z</CreDt>
</Rltd>
</AppHdr>

<!-- Document -->
<Document xmlns="urn:iso:std:iso:20022:tech:xsd:reda.065.001.01">

<Document xmlns="urn:swift:xsd:reda.065.001.01">
<CalRpt>

```

```

<MsgHdr>
  <MsgId>R71396/999</MsgId>
  <CreDtTm>2021-01-26T13:43:06.290+02:00</CreDtTm>
</MsgHdr>
<RptOrErr>
  <CalRpt>
    <Svc>
      <SysId>
        <Ctry>AE</Ctry>
      </SysId>
      <SysCcy>AED</SysCcy>
    </Svc>
    <CalOrErr>
      <CalData>
        <SysDt>2021-07-01</SysDt>
        <SysSts>
          <Cd>ACTV</Cd>
        </SysSts>
      </CalData>
      <CalData>
        <SysDt>2021-07-02</SysDt>
        <SysSts>
          <Cd>ACTV</Cd>
        </SysSts>
      </CalData>
      <CalData>
        <SysDt>2021-07-03</SysDt>
        <SysSts>
          <Cd>ACTV</Cd>
        </SysSts>
      </CalData>
      <CalData>
        <SysDt>2021-07-04</SysDt>
        <SysSts>
          <Cd>ACTV</Cd>
        </SysSts>
      </CalData>

```



```
<CalData>
  <SysDt>2021-07-05</SysDt>
  <SysSts>
    <Cd>ACTV</Cd>
  </SysSts>
</CalData>
<CalData>
  <SysDt>2021-07-06</SysDt>
  <SysSts>
    <Cd>ACTV</Cd>
  </SysSts>
</CalData>
<CalData>
  <SysDt>2021-07-07</SysDt>
  <SysSts>
    <Cd>ACTV</Cd>
  </SysSts>
</CalData>
<CalData>
  <SysDt>2021-07-08</SysDt>
  <SysSts>
    <Cd>ACTV</Cd>
  </SysSts>
</CalData>
<CalData>
  <SysDt>2021-07-09</SysDt>
  <SysSts>
    <Cd>ACTV</Cd>
  </SysSts>
</CalData>
<CalData>
  <SysDt>2021-07-10</SysDt>
  <SysSts>
    <Cd>ACTV</Cd>
  </SysSts>
</CalData>
<CalData>
```

```
<SysDt>2021-07-11</SysDt>
<SysSts>
  <Cd>ACTV</Cd>
</SysSts>
</CalData>
<CalData>
  <SysDt>2021-07-12</SysDt>
  <SysSts>
    <Cd>ACTV</Cd>
  </SysSts>
</CalData>
<CalData>
  <SysDt>2021-07-13</SysDt>
  <SysSts>
    <Cd>ACTV</Cd>
  </SysSts>
</CalData>
<CalData>
  <SysDt>2021-07-14</SysDt>
  <SysSts>
    <Cd>ACTV</Cd>
  </SysSts>
</CalData>
<CalData>
  <SysDt>2021-07-15</SysDt>
  <SysSts>
    <Cd>ACTV</Cd>
  </SysSts>
</CalData>
<CalData>
  <SysDt>2021-07-16</SysDt>
  <SysSts>
    <Cd>ACTV</Cd>
  </SysSts>
</CalData>
<CalData>
  <SysDt>2021-07-17</SysDt>
```

```
<SysSts>
  <Cd>ACTV</Cd>
</SysSts>
</CalData>
<CalData>
  <SysDt>2021-07-18</SysDt>
  <SysSts>
    <Cd>ACTV</Cd>
  </SysSts>
</CalData>
<CalData>
  <SysDt>2021-07-19</SysDt>
  <SysSts>
    <Cd>ACTV</Cd>
  </SysSts>
</CalData>
<CalData>
  <SysDt>2021-07-20</SysDt>
  <SysSts>
    <Cd>ACTV</Cd>
  </SysSts>
</CalData>
<CalData>
  <SysDt>2021-07-21</SysDt>
  <SysSts>
    <Cd>ACTV</Cd>
  </SysSts>
</CalData>
<CalData>
  <SysDt>2021-07-22</SysDt>
  <SysSts>
    <Cd>ACTV</Cd>
  </SysSts>
</CalData>
<CalData>
  <SysDt>2021-07-23</SysDt>
  <SysSts>
```

```
    <Cd>ACTV</Cd>
  </SysSts>
</CalData>
<CalData>
  <SysDt>2021-07-24</SysDt>
  <SysSts>
    <Cd>ACTV</Cd>
  </SysSts>
</CalData>
<CalData>
  <SysDt>2021-07-25</SysDt>
  <SysSts>
    <Cd>ACTV</Cd>
  </SysSts>
</CalData>
<CalData>
  <SysDt>2021-07-26</SysDt>
  <SysSts>
    <Cd>ACTV</Cd>
  </SysSts>
</CalData>
<CalData>
  <SysDt>2021-07-27</SysDt>
  <SysSts>
    <Cd>ACTV</Cd>
  </SysSts>
</CalData>
<CalData>
  <SysDt>2021-07-28</SysDt>
  <SysSts>
    <Cd>ACTV</Cd>
  </SysSts>
</CalData>
<CalData>
  <SysDt>2021-07-29</SysDt>
  <SysSts>
    <Cd>ACTV</Cd>
```

```

</SysSts>
</CalData>
<CalData>
<SysDt>2021-07-30</SysDt>
<SysSts>
  <Cd>ACTV</Cd>
</SysSts>
</CalData>
<CalData>
<SysDt>2021-07-31</SysDt>

```

```

<SysSts>
  <Cd>ACTV</Cd>
</SysSts>
</CalData>
</CalOrErr>
</CalRpt>
</RptOrErr>
</CalRpt>
</Document>

```

Example 3

MT999: Information on calendar for year (2020)

```

{1:F01GBPSOMRUXXX}{2:O999BUNNAEAAXXXN}{3:{108:1909290001000973}}{4:
:20:R71397/999
:79:/CLDR/2101261446+0300
/CTRY/AE
/CRCY/AED
/MNTH/202001WWWWWWWWWWWWWWWWWWWWHWWWWWWWWHHWWWWWWH
/MNTH/202002WWWWWWWWWWWWWWWWWWWWWWWWWWWWWWWWWWWW
/MNTH/202003WWWWWWWWWWWWWWWWWWWWWWWWWWWWWWWWWWWW
/MNTH/202004WWWWWWWWWWWWWWWWWWWWWWWWWWWWWWWWWWWW
/MNTH/202005WWWWWWWWWWWWWWHWWWWWWHWWWWWWWWWWWWWW
/MNTH/202006WWWWWWWWWWWWWWWWWWWWWWWWWWWWWWWWWWWW
/MNTH/202007WWWWWWWWWWWWWWWWWWWWWWWWWWWWWWWWWWWW
/MNTH/202008WWWWWWWWWWWWWWWWWWWWWWWWWWWWWWWWWWH
/MNTH/202009WWWWWWWWWWWWWWWWWWWWWWWWWWWWWWWWWW
/MNTH/202010WWWWWWWWWWWWWWWWWWWWWWWWWWWWWWWWWW
/MNTH/202011WWWWWWWWWWWWWWWWWWWWWWWWWWWWWWWWWW
/MNTH/202012WWWWWWWWWWWWWWWWWWWWWWWWWWWWWWWWWW
-}

```

MX Equivalent

```

<?xml version="1.0" encoding="utf-8"?>
<!-- Application header -->

```

```

<AppHdr xmlns="urn:iso:std:iso:20022:tech:xsd:head.001.001.01">
<!-- Message Sender -->

```

```

<Fr>
  <FIld>
    <FinInstnId>
      <BICFI>BUNNAEAA</BICFI>
    </FinInstnId>
  </FIld>
</Fr>
<!-- Message Receiver -->
<To>
  <FIld>
    <FinInstnId>
      <BICFI>GBPSOMRU</BICFI>
    </FinInstnId>
  </FIld>
</To>
<!-- Message Reference -->
<BizMsgldr>190929BUNNAEAAXXX0001000973</BizMsgldr>
<!-- Message Type -->
<MsgDefldr>reda.065.001.01</MsgDefldr>
<!-- Message Creation Date/Time-->
<CreDt>2021-01-26T13:46:34Z</CreDt>

<Rtd>
<!-- Sender of related message-->
<Fr>
  <FIld>
    <FinInstnId>
      <BICFI>GBPSOMRU</BICFI>
    </FinInstnId>
  </FIld>
</Fr>
<!-- Message Receiver of related message -->
<To>
  <FIld>
    <FinInstnId>
      <BICFI>BUNNAEAA</BICFI>
    </FinInstnId>
  </FIld>

```

```

</FIld>
</To>
<!-- Message Reference of related message-->
<BizMsgldr>REDA064-21012513</BizMsgldr>
<!-- Message Type -->
<MsgDefldr>reda.064.001.01</MsgDefldr>
<!-- Message Creation Date/Time-->
<CreDt>2021-01-26T13:46:33Z</CreDt>
</Rtd>
</AppHdr>

<!-- Document -->
<Document xmlns="urn:iso:std:iso:20022:tech:xsd:reda.065.001.01">
<Document xmlns="urn:swift:xsd:reda.065.001.01">
  <CalRpt>
    <MsgHdr>
      <Msgld>R71397/999</Msgld>
      <CreDtTm>2021-01-26T13:46:33.654+02:00</CreDtTm>
    </MsgHdr>
    <RptOrErr>
      <CalRpt>
        <Svc>
          <SysId>
            <Ctry>AE</Ctry>
          </SysId>
          <SysCcy>AED</SysCcy>
        </Svc>
        <CalOrErr>
          <CalData>
            <SysDt>2020-01-01</SysDt>
          </CalData>
          <SysSts>
            <Cd>ACTV</Cd>
          </SysSts>
        </CalOrErr>
        <CalData>
          <SysDt>2020-01-02</SysDt>
        </CalData>
      </RptOrErr>
    </CalRpt>
  </Document>

```

```
<SysSts>
  <Cd>ACTV</Cd>
</SysSts>
</CalData>
<CalData>
  <SysDt>2020-01-03</SysDt>
  <SysSts>
    <Cd>ACTV</Cd>
  </SysSts>
</CalData>
<CalData>
  <SysDt>2020-01-04</SysDt>
  <SysSts>
    <Cd>ACTV</Cd>
  </SysSts>
</CalData>
<CalData>
  <SysDt>2020-01-05</SysDt>
  <SysSts>
    <Cd>ACTV</Cd>
  </SysSts>
</CalData>
<CalData>
  <SysDt>2020-01-06</SysDt>
  <SysSts>
    <Cd>ACTV</Cd>
  </SysSts>
</CalData>
<CalData>
  <SysDt>2020-01-07</SysDt>
  <SysSts>
    <Cd>ACTV</Cd>
  </SysSts>
</CalData>
<CalData>
  <SysDt>2020-01-08</SysDt>
  <SysSts>
```

```
    <Cd>ACTV</Cd>
  </SysSts>
</CalData>
<CalData>
  <SysDt>2020-01-09</SysDt>
  <SysSts>
    <Cd>ACTV</Cd>
  </SysSts>
</CalData>
<CalData>
  <SysDt>2020-01-10</SysDt>
  <SysSts>
    <Cd>ACTV</Cd>
  </SysSts>
</CalData>
<CalData>
  <SysDt>2020-01-11</SysDt>
  <SysSts>
    <Cd>ACTV</Cd>
  </SysSts>
</CalData>
<CalData>
  <SysDt>2020-01-12</SysDt>
  <SysSts>
    <Cd>ACTV</Cd>
  </SysSts>
</CalData>
<CalData>
  <SysDt>2020-01-13</SysDt>
  <SysSts>
    <Cd>ACTV</Cd>
  </SysSts>
</CalData>
<CalData>
  <SysDt>2020-01-14</SysDt>
  <SysSts>
    <Cd>ACTV</Cd>
```

```
</SysSts>
</CalData>
<CalData>
  <SysDt>2020-01-15</SysDt>
  <SysSts>
    <Cd>ACTV</Cd>
  </SysSts>
</CalData>
<CalData>
  <SysDt>2020-01-16</SysDt>
  <SysSts>
    <Cd>ACTV</Cd>
  </SysSts>
</CalData>
<CalData>
  <SysDt>2020-01-17</SysDt>
  <SysSts>
    <Cd>CLSD</Cd>
  </SysSts>
</CalData>
<CalData>
  <SysDt>2020-01-18</SysDt>
  <SysSts>
    <Cd>ACTV</Cd>
  </SysSts>
</CalData>
<CalData>
  <SysDt>2020-01-19</SysDt>
  <SysSts>
    <Cd>ACTV</Cd>
  </SysSts>
</CalData>
<CalData>
  <SysDt>2020-01-20</SysDt>
  <SysSts>
    <Cd>ACTV</Cd>
  </SysSts>
```

```
</CalData>
<CalData>
  <SysDt>2020-01-21</SysDt>
  <SysSts>
    <Cd>ACTV</Cd>
  </SysSts>
</CalData>
<CalData>
  <SysDt>2020-01-22</SysDt>
  <SysSts>
    <Cd>ACTV</Cd>
  </SysSts>
</CalData>
<CalData>
  <SysDt>2020-01-23</SysDt>
  <SysSts>
    <Cd>ACTV</Cd>
  </SysSts>
</CalData>
<CalData>
  <SysDt>2020-01-24</SysDt>
  <SysSts>
    <Cd>CLSD</Cd>
  </SysSts>
</CalData>
<CalData>
  <SysDt>2020-01-25</SysDt>
  <SysSts>
    <Cd>CLSD</Cd>
  </SysSts>
</CalData>
<CalData>
  <SysDt>2020-01-26</SysDt>
  <SysSts>
    <Cd>ACTV</Cd>
  </SysSts>
</CalData>
```

```
<CalData>
<SysDt>2020-01-27</SysDt>
<SysSts>
  <Cd>ACTV</Cd>
</SysSts>
</CalData>
<CalData>
<SysDt>2020-01-28</SysDt>
<SysSts>
  <Cd>ACTV</Cd>
</SysSts>
</CalData>
<CalData>
<SysDt>2020-01-29</SysDt>
<SysSts>
  <Cd>ACTV</Cd>
</SysSts>
</CalData>
<CalData>
<SysDt>2020-01-30</SysDt>
<SysSts>
  <Cd>ACTV</Cd>
</SysSts>
</CalData>
<CalData>
<SysDt>2020-01-31</SysDt>
<SysSts>
  <Cd>CLSD</Cd>
</SysSts>
</CalData>
<CalData>
<SysDt>2020-02-01</SysDt>
<SysSts>
  <Cd>ACTV</Cd>
</SysSts>
</CalData>
<CalData>
```

```
<SysDt>2020-02-02</SysDt>
<SysSts>
  <Cd>ACTV</Cd>
</SysSts>
</CalData>
<CalData>
<SysDt>2020-02-03</SysDt>
<SysSts>
  <Cd>ACTV</Cd>
</SysSts>
</CalData>
<CalData>
<SysDt>2020-02-04</SysDt>
<SysSts>
  <Cd>ACTV</Cd>
</SysSts>
</CalData>
<CalData>
<SysDt>2020-02-05</SysDt>
<SysSts>
  <Cd>ACTV</Cd>
</SysSts>
</CalData>
<CalData>
<SysDt>2020-02-06</SysDt>
<SysSts>
  <Cd>ACTV</Cd>
</SysSts>
</CalData>
<CalData>
<SysDt>2020-02-07</SysDt>
<SysSts>
  <Cd>ACTV</Cd>
</SysSts>
</CalData>
<CalData>
<SysDt>2020-02-08</SysDt>
```

```
<SysSts>
  <Cd>ACTV</Cd>
</SysSts>
</CalData>
<CalData>
  <SysDt>2020-02-09</SysDt>
  <SysSts>
    <Cd>ACTV</Cd>
  </SysSts>
</CalData>
<CalData>
  <SysDt>2020-02-10</SysDt>
  <SysSts>
    <Cd>ACTV</Cd>
  </SysSts>
</CalData>
<CalData>
  <SysDt>2020-02-11</SysDt>
  <SysSts>
    <Cd>ACTV</Cd>
  </SysSts>
</CalData>
<CalData>
  <SysDt>2020-02-12</SysDt>
  <SysSts>
    <Cd>ACTV</Cd>
  </SysSts>
</CalData>
<CalData>
  <SysDt>2020-02-13</SysDt>
  <SysSts>
    <Cd>ACTV</Cd>
  </SysSts>
</CalData>
<CalData>
  <SysDt>2020-02-14</SysDt>
  <SysSts>
```

```
    <Cd>ACTV</Cd>
  </SysSts>
</CalData>
<CalData>
  <SysDt>2020-02-15</SysDt>
  <SysSts>
    <Cd>ACTV</Cd>
  </SysSts>
</CalData>
<CalData>
  <SysDt>2020-02-16</SysDt>
  <SysSts>
    <Cd>ACTV</Cd>
  </SysSts>
</CalData>
<CalData>
  <SysDt>2020-02-17</SysDt>
  <SysSts>
    <Cd>ACTV</Cd>
  </SysSts>
</CalData>
<CalData>
  <SysDt>2020-02-18</SysDt>
  <SysSts>
    <Cd>ACTV</Cd>
  </SysSts>
</CalData>
<CalData>
  <SysDt>2020-02-19</SysDt>
  <SysSts>
    <Cd>ACTV</Cd>
  </SysSts>
</CalData>
<CalData>
  <SysDt>2020-02-20</SysDt>
  <SysSts>
    <Cd>ACTV</Cd>
```



```
</SysSts>
</CalData>
<CalData>
  <SysDt>2020-02-21</SysDt>
  <SysSts>
    <Cd>ACTV</Cd>
  </SysSts>
</CalData>
<CalData>
  <SysDt>2020-02-22</SysDt>
  <SysSts>
    <Cd>ACTV</Cd>
  </SysSts>
</CalData>
<CalData>
  <SysDt>2020-02-23</SysDt>
  <SysSts>
    <Cd>ACTV</Cd>
  </SysSts>
</CalData>
<CalData>
  <SysDt>2020-02-24</SysDt>
  <SysSts>
    <Cd>ACTV</Cd>
  </SysSts>
</CalData>
<CalData>
  <SysDt>2020-02-25</SysDt>
  <SysSts>
    <Cd>ACTV</Cd>
  </SysSts>
</CalData>
<CalData>
  <SysDt>2020-02-26</SysDt>
  <SysSts>
    <Cd>ACTV</Cd>
  </SysSts>
```

```
</CalData>
<CalData>
  <SysDt>2020-02-27</SysDt>
  <SysSts>
    <Cd>ACTV</Cd>
  </SysSts>
</CalData>
<CalData>
  <SysDt>2020-02-28</SysDt>
  <SysSts>
    <Cd>ACTV</Cd>
  </SysSts>
</CalData>
<CalData>
  <SysDt>2020-02-29</SysDt>
  <SysSts>
    <Cd>ACTV</Cd>
  </SysSts>
</CalData>
<CalData>
  <SysDt>2020-03-01</SysDt>
  <SysSts>
    <Cd>ACTV</Cd>
  </SysSts>
</CalData>
<CalData>
  <SysDt>2020-03-02</SysDt>
  <SysSts>
    <Cd>ACTV</Cd>
  </SysSts>
</CalData>
<CalData>
  <SysDt>2020-03-03</SysDt>
  <SysSts>
    <Cd>ACTV</Cd>
  </SysSts>
</CalData>
```

```
<CalData>
<SysDt>2020-03-04</SysDt>
<SysSts>
  <Cd>ACTV</Cd>
</SysSts>
</CalData>
<CalData>
<SysDt>2020-03-05</SysDt>
<SysSts>
  <Cd>ACTV</Cd>
</SysSts>
</CalData>
<CalData>
<SysDt>2020-03-06</SysDt>
<SysSts>
  <Cd>ACTV</Cd>
</SysSts>
</CalData>
<CalData>
<SysDt>2020-03-07</SysDt>
<SysSts>
  <Cd>ACTV</Cd>
</SysSts>
</CalData>
<CalData>
<SysDt>2020-03-08</SysDt>
<SysSts>
  <Cd>ACTV</Cd>
</SysSts>
</CalData>
<CalData>
<SysDt>2020-03-09</SysDt>
<SysSts>
  <Cd>ACTV</Cd>
</SysSts>
</CalData>
<CalData>
```

```
<SysDt>2020-03-10</SysDt>
<SysSts>
  <Cd>ACTV</Cd>
</SysSts>
</CalData>
<CalData>
<SysDt>2020-03-11</SysDt>
<SysSts>
  <Cd>ACTV</Cd>
</SysSts>
</CalData>
<CalData>
<SysDt>2020-03-12</SysDt>
<SysSts>
  <Cd>ACTV</Cd>
</SysSts>
</CalData>
<CalData>
<SysDt>2020-03-13</SysDt>
<SysSts>
  <Cd>ACTV</Cd>
</SysSts>
</CalData>
<CalData>
<SysDt>2020-03-14</SysDt>
<SysSts>
  <Cd>ACTV</Cd>
</SysSts>
</CalData>
<CalData>
<SysDt>2020-03-15</SysDt>
<SysSts>
  <Cd>ACTV</Cd>
</SysSts>
</CalData>
<CalData>
<SysDt>2020-03-16</SysDt>
```

```
<SysSts>
  <Cd>ACTV</Cd>
</SysSts>
</CalData>
<CalData>
  <SysDt>2020-03-17</SysDt>
  <SysSts>
    <Cd>ACTV</Cd>
  </SysSts>
</CalData>
<CalData>
  <SysDt>2020-03-18</SysDt>
  <SysSts>
    <Cd>ACTV</Cd>
  </SysSts>
</CalData>
<CalData>
  <SysDt>2020-03-19</SysDt>
  <SysSts>
    <Cd>ACTV</Cd>
  </SysSts>
</CalData>
<CalData>
  <SysDt>2020-03-20</SysDt>
  <SysSts>
    <Cd>ACTV</Cd>
  </SysSts>
</CalData>
<CalData>
  <SysDt>2020-03-21</SysDt>
  <SysSts>
    <Cd>ACTV</Cd>
  </SysSts>
</CalData>
<CalData>
  <SysDt>2020-03-22</SysDt>
  <SysSts>
```

```
    <Cd>ACTV</Cd>
  </SysSts>
</CalData>
<CalData>
  <SysDt>2020-03-23</SysDt>
  <SysSts>
    <Cd>ACTV</Cd>
  </SysSts>
</CalData>
<CalData>
  <SysDt>2020-03-24</SysDt>
  <SysSts>
    <Cd>ACTV</Cd>
  </SysSts>
</CalData>
<CalData>
  <SysDt>2020-03-25</SysDt>
  <SysSts>
    <Cd>ACTV</Cd>
  </SysSts>
</CalData>
<CalData>
  <SysDt>2020-03-26</SysDt>
  <SysSts>
    <Cd>ACTV</Cd>
  </SysSts>
</CalData>
<CalData>
  <SysDt>2020-03-27</SysDt>
  <SysSts>
    <Cd>ACTV</Cd>
  </SysSts>
</CalData>
<CalData>
  <SysDt>2020-03-28</SysDt>
  <SysSts>
    <Cd>ACTV</Cd>
```

```
</SysSts>
</CalData>
<CalData>
  <SysDt>2020-03-29</SysDt>
  <SysSts>
    <Cd>ACTV</Cd>
  </SysSts>
</CalData>
<CalData>
  <SysDt>2020-03-30</SysDt>
  <SysSts>
    <Cd>ACTV</Cd>
  </SysSts>
</CalData>
<CalData>
  <SysDt>2020-03-31</SysDt>
  <SysSts>
    <Cd>ACTV</Cd>
  </SysSts>
</CalData>
<CalData>
  <SysDt>2020-04-01</SysDt>
  <SysSts>
    <Cd>ACTV</Cd>
  </SysSts>
</CalData>
<CalData>
  <SysDt>2020-04-02</SysDt>
  <SysSts>
    <Cd>ACTV</Cd>
  </SysSts>
</CalData>
<CalData>
  <SysDt>2020-04-03</SysDt>
  <SysSts>
    <Cd>ACTV</Cd>
  </SysSts>
```

```
</CalData>
<CalData>
  <SysDt>2020-04-04</SysDt>
  <SysSts>
    <Cd>ACTV</Cd>
  </SysSts>
</CalData>
<CalData>
  <SysDt>2020-04-05</SysDt>
  <SysSts>
    <Cd>ACTV</Cd>
  </SysSts>
</CalData>
<CalData>
  <SysDt>2020-04-06</SysDt>
  <SysSts>
    <Cd>ACTV</Cd>
  </SysSts>
</CalData>
<CalData>
  <SysDt>2020-04-07</SysDt>
  <SysSts>
    <Cd>ACTV</Cd>
  </SysSts>
</CalData>
<CalData>
  <SysDt>2020-04-08</SysDt>
  <SysSts>
    <Cd>ACTV</Cd>
  </SysSts>
</CalData>
<CalData>
  <SysDt>2020-04-09</SysDt>
  <SysSts>
    <Cd>ACTV</Cd>
  </SysSts>
</CalData>
```

```
<CalData>
<SysDt>2020-04-10</SysDt>
<SysSts>
  <Cd>ACTV</Cd>
</SysSts>
</CalData>
<CalData>
<SysDt>2020-04-11</SysDt>
<SysSts>
  <Cd>ACTV</Cd>
</SysSts>
</CalData>
<CalData>
<SysDt>2020-04-12</SysDt>
<SysSts>
  <Cd>ACTV</Cd>
</SysSts>
</CalData>
<CalData>
<SysDt>2020-04-13</SysDt>
<SysSts>
  <Cd>ACTV</Cd>
</SysSts>
</CalData>
<CalData>
<SysDt>2020-04-14</SysDt>
<SysSts>
  <Cd>ACTV</Cd>
</SysSts>
</CalData>
<CalData>
<SysDt>2020-04-15</SysDt>
<SysSts>
  <Cd>ACTV</Cd>
</SysSts>
</CalData>
<CalData>
```

```
<SysDt>2020-04-16</SysDt>
<SysSts>
  <Cd>ACTV</Cd>
</SysSts>
</CalData>
<CalData>
<SysDt>2020-04-17</SysDt>
<SysSts>
  <Cd>ACTV</Cd>
</SysSts>
</CalData>
<CalData>
<SysDt>2020-04-18</SysDt>
<SysSts>
  <Cd>ACTV</Cd>
</SysSts>
</CalData>
<CalData>
<SysDt>2020-04-19</SysDt>
<SysSts>
  <Cd>ACTV</Cd>
</SysSts>
</CalData>
<CalData>
<SysDt>2020-04-20</SysDt>
<SysSts>
  <Cd>ACTV</Cd>
</SysSts>
</CalData>
<CalData>
<SysDt>2020-04-21</SysDt>
<SysSts>
  <Cd>ACTV</Cd>
</SysSts>
</CalData>
<CalData>
<SysDt>2020-04-22</SysDt>
```

```
<SysSts>
  <Cd>ACTV</Cd>
</SysSts>
</CalData>
<CalData>
  <SysDt>2020-04-23</SysDt>
  <SysSts>
    <Cd>ACTV</Cd>
  </SysSts>
</CalData>
<CalData>
  <SysDt>2020-04-24</SysDt>
  <SysSts>
    <Cd>ACTV</Cd>
  </SysSts>
</CalData>
<CalData>
  <SysDt>2020-04-25</SysDt>
  <SysSts>
    <Cd>ACTV</Cd>
  </SysSts>
</CalData>
<CalData>
  <SysDt>2020-04-26</SysDt>
  <SysSts>
    <Cd>ACTV</Cd>
  </SysSts>
</CalData>
<CalData>
  <SysDt>2020-04-27</SysDt>
  <SysSts>
    <Cd>ACTV</Cd>
  </SysSts>
</CalData>
<CalData>
  <SysDt>2020-04-28</SysDt>
  <SysSts>
```

```
    <Cd>ACTV</Cd>
  </SysSts>
</CalData>
<CalData>
  <SysDt>2020-04-29</SysDt>
  <SysSts>
    <Cd>ACTV</Cd>
  </SysSts>
</CalData>
<CalData>
  <SysDt>2020-04-30</SysDt>
  <SysSts>
    <Cd>ACTV</Cd>
  </SysSts>
</CalData>
<CalData>
  <SysDt>2020-05-01</SysDt>
  <SysSts>
    <Cd>ACTV</Cd>
  </SysSts>
</CalData>
<CalData>
  <SysDt>2020-05-02</SysDt>
  <SysSts>
    <Cd>ACTV</Cd>
  </SysSts>
</CalData>
<CalData>
  <SysDt>2020-05-03</SysDt>
  <SysSts>
    <Cd>ACTV</Cd>
  </SysSts>
</CalData>
<CalData>
  <SysDt>2020-05-04</SysDt>
  <SysSts>
    <Cd>ACTV</Cd>
```

```
</SysSts>
</CalData>
<CalData>
  <SysDt>2020-05-05</SysDt>
  <SysSts>
    <Cd>ACTV</Cd>
  </SysSts>
</CalData>
<CalData>
  <SysDt>2020-05-06</SysDt>
  <SysSts>
    <Cd>ACTV</Cd>
  </SysSts>
</CalData>
<CalData>
  <SysDt>2020-05-07</SysDt>
  <SysSts>
    <Cd>ACTV</Cd>
  </SysSts>
</CalData>
<CalData>
  <SysDt>2020-05-08</SysDt>
  <SysSts>
    <Cd>ACTV</Cd>
  </SysSts>
</CalData>
<CalData>
  <SysDt>2020-05-09</SysDt>
  <SysSts>
    <Cd>ACTV</Cd>
  </SysSts>
</CalData>
<CalData>
  <SysDt>2020-05-10</SysDt>
  <SysSts>
    <Cd>ACTV</Cd>
  </SysSts>
```

```
</CalData>
<CalData>
  <SysDt>2020-05-11</SysDt>
  <SysSts>
    <Cd>ACTV</Cd>
  </SysSts>
</CalData>
<CalData>
  <SysDt>2020-05-12</SysDt>
  <SysSts>
    <Cd>CLSD</Cd>
  </SysSts>
</CalData>
<CalData>
  <SysDt>2020-05-13</SysDt>
  <SysSts>
    <Cd>ACTV</Cd>
  </SysSts>
</CalData>
<CalData>
  <SysDt>2020-05-14</SysDt>
  <SysSts>
    <Cd>ACTV</Cd>
  </SysSts>
</CalData>
<CalData>
  <SysDt>2020-05-15</SysDt>
  <SysSts>
    <Cd>ACTV</Cd>
  </SysSts>
</CalData>
<CalData>
  <SysDt>2020-05-16</SysDt>
  <SysSts>
    <Cd>ACTV</Cd>
  </SysSts>
</CalData>
```

```
<CalData>
<SysDt>2020-05-17</SysDt>
<SysSts>
  <Cd>ACTV</Cd>
</SysSts>
</CalData>
<CalData>
<SysDt>2020-05-18</SysDt>
<SysSts>
  <Cd>CLSD</Cd>
</SysSts>
</CalData>
<CalData>
<SysDt>2020-05-19</SysDt>
<SysSts>
  <Cd>CLSD</Cd>
</SysSts>
</CalData>
<CalData>
<SysDt>2020-05-20</SysDt>
<SysSts>
  <Cd>ACTV</Cd>
</SysSts>
</CalData>
<CalData>
<SysDt>2020-05-21</SysDt>
<SysSts>
  <Cd>ACTV</Cd>
</SysSts>
</CalData>
<CalData>
<SysDt>2020-05-22</SysDt>
<SysSts>
  <Cd>ACTV</Cd>
</SysSts>
</CalData>
<CalData>
```

```
<SysDt>2020-05-23</SysDt>
<SysSts>
  <Cd>ACTV</Cd>
</SysSts>
</CalData>
<CalData>
<SysDt>2020-05-24</SysDt>
<SysSts>
  <Cd>ACTV</Cd>
</SysSts>
</CalData>
<CalData>
<SysDt>2020-05-25</SysDt>
<SysSts>
  <Cd>ACTV</Cd>
</SysSts>
</CalData>
<CalData>
<SysDt>2020-05-26</SysDt>
<SysSts>
  <Cd>ACTV</Cd>
</SysSts>
</CalData>
<CalData>
<SysDt>2020-05-27</SysDt>
<SysSts>
  <Cd>ACTV</Cd>
</SysSts>
</CalData>
<CalData>
<SysDt>2020-05-28</SysDt>
<SysSts>
  <Cd>ACTV</Cd>
</SysSts>
</CalData>
<CalData>
<SysDt>2020-05-29</SysDt>
```



```
<SysSts>
  <Cd>ACTV</Cd>
</SysSts>
</CalData>
<CalData>
  <SysDt>2020-05-30</SysDt>
  <SysSts>
    <Cd>ACTV</Cd>
  </SysSts>
</CalData>
<CalData>
  <SysDt>2020-05-31</SysDt>
  <SysSts>
    <Cd>ACTV</Cd>
  </SysSts>
</CalData>
<CalData>
  <SysDt>2020-06-01</SysDt>
  <SysSts>
    <Cd>ACTV</Cd>
  </SysSts>
</CalData>
<CalData>
  <SysDt>2020-06-02</SysDt>
  <SysSts>
    <Cd>ACTV</Cd>
  </SysSts>
</CalData>
<CalData>
  <SysDt>2020-06-03</SysDt>
  <SysSts>
    <Cd>ACTV</Cd>
  </SysSts>
</CalData>
<CalData>
  <SysDt>2020-06-04</SysDt>
  <SysSts>
```

```
    <Cd>ACTV</Cd>
  </SysSts>
</CalData>
<CalData>
  <SysDt>2020-06-05</SysDt>
  <SysSts>
    <Cd>ACTV</Cd>
  </SysSts>
</CalData>
<CalData>
  <SysDt>2020-06-06</SysDt>
  <SysSts>
    <Cd>ACTV</Cd>
  </SysSts>
</CalData>
<CalData>
  <SysDt>2020-06-07</SysDt>
  <SysSts>
    <Cd>ACTV</Cd>
  </SysSts>
</CalData>
<CalData>
  <SysDt>2020-06-08</SysDt>
  <SysSts>
    <Cd>ACTV</Cd>
  </SysSts>
</CalData>
<CalData>
  <SysDt>2020-06-09</SysDt>
  <SysSts>
    <Cd>ACTV</Cd>
  </SysSts>
</CalData>
<CalData>
  <SysDt>2020-06-10</SysDt>
  <SysSts>
    <Cd>ACTV</Cd>
```

```
</SysSts>
</CalData>
<CalData>
  <SysDt>2020-06-11</SysDt>
  <SysSts>
    <Cd>ACTV</Cd>
  </SysSts>
</CalData>
<CalData>
  <SysDt>2020-06-12</SysDt>
  <SysSts>
    <Cd>ACTV</Cd>
  </SysSts>
</CalData>
<CalData>
  <SysDt>2020-06-13</SysDt>
  <SysSts>
    <Cd>ACTV</Cd>
  </SysSts>
</CalData>
<CalData>
  <SysDt>2020-06-14</SysDt>
  <SysSts>
    <Cd>ACTV</Cd>
  </SysSts>
</CalData>
<CalData>
  <SysDt>2020-06-15</SysDt>
  <SysSts>
    <Cd>ACTV</Cd>
  </SysSts>
</CalData>
<CalData>
  <SysDt>2020-06-16</SysDt>
  <SysSts>
    <Cd>ACTV</Cd>
  </SysSts>
```

```
</CalData>
<CalData>
  <SysDt>2020-06-17</SysDt>
  <SysSts>
    <Cd>ACTV</Cd>
  </SysSts>
</CalData>
<CalData>
  <SysDt>2020-06-18</SysDt>
  <SysSts>
    <Cd>ACTV</Cd>
  </SysSts>
</CalData>
<CalData>
  <SysDt>2020-06-19</SysDt>
  <SysSts>
    <Cd>ACTV</Cd>
  </SysSts>
</CalData>
<CalData>
  <SysDt>2020-06-20</SysDt>
  <SysSts>
    <Cd>ACTV</Cd>
  </SysSts>
</CalData>
<CalData>
  <SysDt>2020-06-21</SysDt>
  <SysSts>
    <Cd>ACTV</Cd>
  </SysSts>
</CalData>
<CalData>
  <SysDt>2020-06-22</SysDt>
  <SysSts>
    <Cd>ACTV</Cd>
  </SysSts>
</CalData>
```

```
<CalData>
<SysDt>2020-06-23</SysDt>
<SysSts>
  <Cd>ACTV</Cd>
</SysSts>
</CalData>
<CalData>
<SysDt>2020-06-24</SysDt>
<SysSts>
  <Cd>ACTV</Cd>
</SysSts>
</CalData>
<CalData>
<SysDt>2020-06-25</SysDt>
<SysSts>
  <Cd>ACTV</Cd>
</SysSts>
</CalData>
<CalData>
<SysDt>2020-06-26</SysDt>
<SysSts>
  <Cd>ACTV</Cd>
</SysSts>
</CalData>
<CalData>
<SysDt>2020-06-27</SysDt>
<SysSts>
  <Cd>ACTV</Cd>
</SysSts>
</CalData>
<CalData>
<SysDt>2020-06-28</SysDt>
<SysSts>
  <Cd>ACTV</Cd>
</SysSts>
</CalData>
<CalData>
```

```
<SysDt>2020-06-29</SysDt>
<SysSts>
  <Cd>ACTV</Cd>
</SysSts>
</CalData>
<CalData>
<SysDt>2020-06-30</SysDt>
<SysSts>
  <Cd>ACTV</Cd>
</SysSts>
</CalData>
<CalData>
<SysDt>2020-07-01</SysDt>
<SysSts>
  <Cd>ACTV</Cd>
</SysSts>
</CalData>
<CalData>
<SysDt>2020-07-02</SysDt>
<SysSts>
  <Cd>ACTV</Cd>
</SysSts>
</CalData>
<CalData>
<SysDt>2020-07-03</SysDt>
<SysSts>
  <Cd>ACTV</Cd>
</SysSts>
</CalData>
<CalData>
<SysDt>2020-07-04</SysDt>
<SysSts>
  <Cd>ACTV</Cd>
</SysSts>
</CalData>
<CalData>
<SysDt>2020-07-05</SysDt>
```

```
<SysSts>
  <Cd>ACTV</Cd>
</SysSts>
</CalData>
<CalData>
  <SysDt>2020-07-06</SysDt>
  <SysSts>
    <Cd>ACTV</Cd>
  </SysSts>
</CalData>
<CalData>
  <SysDt>2020-07-07</SysDt>
  <SysSts>
    <Cd>ACTV</Cd>
  </SysSts>
</CalData>
<CalData>
  <SysDt>2020-07-08</SysDt>
  <SysSts>
    <Cd>ACTV</Cd>
  </SysSts>
</CalData>
<CalData>
  <SysDt>2020-07-09</SysDt>
  <SysSts>
    <Cd>ACTV</Cd>
  </SysSts>
</CalData>
<CalData>
  <SysDt>2020-07-10</SysDt>
  <SysSts>
    <Cd>ACTV</Cd>
  </SysSts>
</CalData>
<CalData>
  <SysDt>2020-07-11</SysDt>
  <SysSts>
```

```
    <Cd>ACTV</Cd>
  </SysSts>
</CalData>
<CalData>
  <SysDt>2020-07-12</SysDt>
  <SysSts>
    <Cd>ACTV</Cd>
  </SysSts>
</CalData>
<CalData>
  <SysDt>2020-07-13</SysDt>
  <SysSts>
    <Cd>ACTV</Cd>
  </SysSts>
</CalData>
<CalData>
  <SysDt>2020-07-14</SysDt>
  <SysSts>
    <Cd>ACTV</Cd>
  </SysSts>
</CalData>
<CalData>
  <SysDt>2020-07-15</SysDt>
  <SysSts>
    <Cd>ACTV</Cd>
  </SysSts>
</CalData>
<CalData>
  <SysDt>2020-07-16</SysDt>
  <SysSts>
    <Cd>ACTV</Cd>
  </SysSts>
</CalData>
<CalData>
  <SysDt>2020-07-17</SysDt>
  <SysSts>
    <Cd>ACTV</Cd>
```

```
</SysSts>
</CalData>
<CalData>
  <SysDt>2020-07-18</SysDt>
  <SysSts>
    <Cd>ACTV</Cd>
  </SysSts>
</CalData>
<CalData>
  <SysDt>2020-07-19</SysDt>
  <SysSts>
    <Cd>ACTV</Cd>
  </SysSts>
</CalData>
<CalData>
  <SysDt>2020-07-20</SysDt>
  <SysSts>
    <Cd>ACTV</Cd>
  </SysSts>
</CalData>
<CalData>
  <SysDt>2020-07-21</SysDt>
  <SysSts>
    <Cd>ACTV</Cd>
  </SysSts>
</CalData>
<CalData>
  <SysDt>2020-07-22</SysDt>
  <SysSts>
    <Cd>ACTV</Cd>
  </SysSts>
</CalData>
<CalData>
  <SysDt>2020-07-23</SysDt>
  <SysSts>
    <Cd>ACTV</Cd>
  </SysSts>
```

```
</CalData>
<CalData>
  <SysDt>2020-07-24</SysDt>
  <SysSts>
    <Cd>ACTV</Cd>
  </SysSts>
</CalData>
<CalData>
  <SysDt>2020-07-25</SysDt>
  <SysSts>
    <Cd>ACTV</Cd>
  </SysSts>
</CalData>
<CalData>
  <SysDt>2020-07-26</SysDt>
  <SysSts>
    <Cd>ACTV</Cd>
  </SysSts>
</CalData>
<CalData>
  <SysDt>2020-07-27</SysDt>
  <SysSts>
    <Cd>ACTV</Cd>
  </SysSts>
</CalData>
<CalData>
  <SysDt>2020-07-28</SysDt>
  <SysSts>
    <Cd>ACTV</Cd>
  </SysSts>
</CalData>
<CalData>
  <SysDt>2020-07-29</SysDt>
  <SysSts>
    <Cd>ACTV</Cd>
  </SysSts>
</CalData>
```

```
<CalData>
<SysDt>2020-07-30</SysDt>
<SysSts>
  <Cd>ACTV</Cd>
</SysSts>
</CalData>
<CalData>
<SysDt>2020-07-31</SysDt>
<SysSts>
  <Cd>ACTV</Cd>
</SysSts>
</CalData>
<CalData>
<SysDt>2020-08-01</SysDt>
<SysSts>
  <Cd>ACTV</Cd>
</SysSts>
</CalData>
<CalData>
<SysDt>2020-08-02</SysDt>
<SysSts>
  <Cd>ACTV</Cd>
</SysSts>
</CalData>
<CalData>
<SysDt>2020-08-03</SysDt>
<SysSts>
  <Cd>ACTV</Cd>
</SysSts>
</CalData>
<CalData>
<SysDt>2020-08-04</SysDt>
<SysSts>
  <Cd>ACTV</Cd>
</SysSts>
</CalData>
<CalData>
```

```
<SysDt>2020-08-05</SysDt>
<SysSts>
  <Cd>ACTV</Cd>
</SysSts>
</CalData>
<CalData>
<SysDt>2020-08-06</SysDt>
<SysSts>
  <Cd>ACTV</Cd>
</SysSts>
</CalData>
<CalData>
<SysDt>2020-08-07</SysDt>
<SysSts>
  <Cd>ACTV</Cd>
</SysSts>
</CalData>
<CalData>
<SysDt>2020-08-08</SysDt>
<SysSts>
  <Cd>ACTV</Cd>
</SysSts>
</CalData>
<CalData>
<SysDt>2020-08-09</SysDt>
<SysSts>
  <Cd>ACTV</Cd>
</SysSts>
</CalData>
<CalData>
<SysDt>2020-08-10</SysDt>
<SysSts>
  <Cd>ACTV</Cd>
</SysSts>
</CalData>
<CalData>
<SysDt>2020-08-11</SysDt>
```

```
<SysSts>
  <Cd>ACTV</Cd>
</SysSts>
</CalData>
<CalData>
  <SysDt>2020-08-12</SysDt>
  <SysSts>
    <Cd>ACTV</Cd>
  </SysSts>
</CalData>
<CalData>
  <SysDt>2020-08-13</SysDt>
  <SysSts>
    <Cd>ACTV</Cd>
  </SysSts>
</CalData>
<CalData>
  <SysDt>2020-08-14</SysDt>
  <SysSts>
    <Cd>ACTV</Cd>
  </SysSts>
</CalData>
<CalData>
  <SysDt>2020-08-15</SysDt>
  <SysSts>
    <Cd>ACTV</Cd>
  </SysSts>
</CalData>
<CalData>
  <SysDt>2020-08-16</SysDt>
  <SysSts>
    <Cd>ACTV</Cd>
  </SysSts>
</CalData>
<CalData>
  <SysDt>2020-08-17</SysDt>
  <SysSts>
```

```
    <Cd>ACTV</Cd>
  </SysSts>
</CalData>
<CalData>
  <SysDt>2020-08-18</SysDt>
  <SysSts>
    <Cd>ACTV</Cd>
  </SysSts>
</CalData>
<CalData>
  <SysDt>2020-08-19</SysDt>
  <SysSts>
    <Cd>ACTV</Cd>
  </SysSts>
</CalData>
<CalData>
  <SysDt>2020-08-20</SysDt>
  <SysSts>
    <Cd>ACTV</Cd>
  </SysSts>
</CalData>
<CalData>
  <SysDt>2020-08-21</SysDt>
  <SysSts>
    <Cd>ACTV</Cd>
  </SysSts>
</CalData>
<CalData>
  <SysDt>2020-08-22</SysDt>
  <SysSts>
    <Cd>ACTV</Cd>
  </SysSts>
</CalData>
<CalData>
  <SysDt>2020-08-23</SysDt>
  <SysSts>
    <Cd>ACTV</Cd>
```



```
</SysSts>
</CalData>
<CalData>
  <SysDt>2020-08-24</SysDt>
  <SysSts>
    <Cd>ACTV</Cd>
  </SysSts>
</CalData>
<CalData>
  <SysDt>2020-08-25</SysDt>
  <SysSts>
    <Cd>ACTV</Cd>
  </SysSts>
</CalData>
<CalData>
  <SysDt>2020-08-26</SysDt>
  <SysSts>
    <Cd>ACTV</Cd>
  </SysSts>
</CalData>
<CalData>
  <SysDt>2020-08-27</SysDt>
  <SysSts>
    <Cd>ACTV</Cd>
  </SysSts>
</CalData>
<CalData>
  <SysDt>2020-08-28</SysDt>
  <SysSts>
    <Cd>ACTV</Cd>
  </SysSts>
</CalData>
<CalData>
  <SysDt>2020-08-29</SysDt>
  <SysSts>
    <Cd>CLSD</Cd>
  </SysSts>
```

```
</CalData>
<CalData>
  <SysDt>2020-08-30</SysDt>
  <SysSts>
    <Cd>ACTV</Cd>
  </SysSts>
</CalData>
<CalData>
  <SysDt>2020-08-31</SysDt>
  <SysSts>
    <Cd>ACTV</Cd>
  </SysSts>
</CalData>
<CalData>
  <SysDt>2020-09-01</SysDt>
  <SysSts>
    <Cd>ACTV</Cd>
  </SysSts>
</CalData>
<CalData>
  <SysDt>2020-09-02</SysDt>
  <SysSts>
    <Cd>ACTV</Cd>
  </SysSts>
</CalData>
<CalData>
  <SysDt>2020-09-03</SysDt>
  <SysSts>
    <Cd>ACTV</Cd>
  </SysSts>
</CalData>
<CalData>
  <SysDt>2020-09-04</SysDt>
  <SysSts>
    <Cd>ACTV</Cd>
  </SysSts>
</CalData>
```



```
<CalData>
  <SysDt>2020-09-05</SysDt>
  <SysSts>
    <Cd>ACTV</Cd>
  </SysSts>
</CalData>
<CalData>
  <SysDt>2020-09-06</SysDt>
  <SysSts>
    <Cd>ACTV</Cd>
  </SysSts>
</CalData>
<CalData>
  <SysDt>2020-09-07</SysDt>
  <SysSts>
    <Cd>ACTV</Cd>
  </SysSts>
</CalData>
<CalData>
  <SysDt>2020-09-08</SysDt>
  <SysSts>
    <Cd>ACTV</Cd>
  </SysSts>
</CalData>
<CalData>
  <SysDt>2020-09-09</SysDt>
  <SysSts>
    <Cd>ACTV</Cd>
  </SysSts>
</CalData>
<CalData>
  <SysDt>2020-09-10</SysDt>
  <SysSts>
    <Cd>ACTV</Cd>
  </SysSts>
</CalData>
<CalData>
```

```
<SysDt>2020-09-11</SysDt>
<SysSts>
  <Cd>ACTV</Cd>
</SysSts>
</CalData>
<CalData>
  <SysDt>2020-09-12</SysDt>
  <SysSts>
    <Cd>ACTV</Cd>
  </SysSts>
</CalData>
<CalData>
  <SysDt>2020-09-13</SysDt>
  <SysSts>
    <Cd>ACTV</Cd>
  </SysSts>
</CalData>
<CalData>
  <SysDt>2020-09-14</SysDt>
  <SysSts>
    <Cd>ACTV</Cd>
  </SysSts>
</CalData>
<CalData>
  <SysDt>2020-09-15</SysDt>
  <SysSts>
    <Cd>ACTV</Cd>
  </SysSts>
</CalData>
<CalData>
  <SysDt>2020-09-16</SysDt>
  <SysSts>
    <Cd>ACTV</Cd>
  </SysSts>
</CalData>
<CalData>
  <SysDt>2020-09-17</SysDt>
```

```
<SysSts>
  <Cd>ACTV</Cd>
</SysSts>
</CalData>
<CalData>
  <SysDt>2020-09-18</SysDt>
  <SysSts>
    <Cd>ACTV</Cd>
  </SysSts>
</CalData>
<CalData>
  <SysDt>2020-09-19</SysDt>
  <SysSts>
    <Cd>ACTV</Cd>
  </SysSts>
</CalData>
<CalData>
  <SysDt>2020-09-20</SysDt>
  <SysSts>
    <Cd>ACTV</Cd>
  </SysSts>
</CalData>
<CalData>
  <SysDt>2020-09-21</SysDt>
  <SysSts>
    <Cd>ACTV</Cd>
  </SysSts>
</CalData>
<CalData>
  <SysDt>2020-09-22</SysDt>
  <SysSts>
    <Cd>ACTV</Cd>
  </SysSts>
</CalData>
<CalData>
  <SysDt>2020-09-23</SysDt>
  <SysSts>
```

```
    <Cd>ACTV</Cd>
  </SysSts>
</CalData>
<CalData>
  <SysDt>2020-09-24</SysDt>
  <SysSts>
    <Cd>ACTV</Cd>
  </SysSts>
</CalData>
<CalData>
  <SysDt>2020-09-25</SysDt>
  <SysSts>
    <Cd>ACTV</Cd>
  </SysSts>
</CalData>
<CalData>
  <SysDt>2020-09-26</SysDt>
  <SysSts>
    <Cd>ACTV</Cd>
  </SysSts>
</CalData>
<CalData>
  <SysDt>2020-09-27</SysDt>
  <SysSts>
    <Cd>ACTV</Cd>
  </SysSts>
</CalData>
<CalData>
  <SysDt>2020-09-28</SysDt>
  <SysSts>
    <Cd>ACTV</Cd>
  </SysSts>
</CalData>
<CalData>
  <SysDt>2020-09-29</SysDt>
  <SysSts>
    <Cd>ACTV</Cd>
```

```
</SysSts>
</CalData>
<CalData>
  <SysDt>2020-09-30</SysDt>
  <SysSts>
    <Cd>ACTV</Cd>
  </SysSts>
</CalData>
<CalData>
  <SysDt>2020-10-01</SysDt>
  <SysSts>
    <Cd>ACTV</Cd>
  </SysSts>
</CalData>
<CalData>
  <SysDt>2020-10-02</SysDt>
  <SysSts>
    <Cd>ACTV</Cd>
  </SysSts>
</CalData>
<CalData>
  <SysDt>2020-10-03</SysDt>
  <SysSts>
    <Cd>ACTV</Cd>
  </SysSts>
</CalData>
<CalData>
  <SysDt>2020-10-04</SysDt>
  <SysSts>
    <Cd>ACTV</Cd>
  </SysSts>
</CalData>
<CalData>
  <SysDt>2020-10-05</SysDt>
  <SysSts>
    <Cd>ACTV</Cd>
  </SysSts>
```

```
</CalData>
<CalData>
  <SysDt>2020-10-06</SysDt>
  <SysSts>
    <Cd>ACTV</Cd>
  </SysSts>
</CalData>
<CalData>
  <SysDt>2020-10-07</SysDt>
  <SysSts>
    <Cd>ACTV</Cd>
  </SysSts>
</CalData>
<CalData>
  <SysDt>2020-10-08</SysDt>
  <SysSts>
    <Cd>ACTV</Cd>
  </SysSts>
</CalData>
<CalData>
  <SysDt>2020-10-09</SysDt>
  <SysSts>
    <Cd>ACTV</Cd>
  </SysSts>
</CalData>
<CalData>
  <SysDt>2020-10-10</SysDt>
  <SysSts>
    <Cd>ACTV</Cd>
  </SysSts>
</CalData>
<CalData>
  <SysDt>2020-10-11</SysDt>
  <SysSts>
    <Cd>ACTV</Cd>
  </SysSts>
</CalData>
```

```
<CalData>
  <SysDt>2020-10-12</SysDt>
  <SysSts>
    <Cd>ACTV</Cd>
  </SysSts>
</CalData>
<CalData>
  <SysDt>2020-10-13</SysDt>
  <SysSts>
    <Cd>ACTV</Cd>
  </SysSts>
</CalData>
<CalData>
  <SysDt>2020-10-14</SysDt>
  <SysSts>
    <Cd>ACTV</Cd>
  </SysSts>
</CalData>
<CalData>
  <SysDt>2020-10-15</SysDt>
  <SysSts>
    <Cd>ACTV</Cd>
  </SysSts>
</CalData>
<CalData>
  <SysDt>2020-10-16</SysDt>
  <SysSts>
    <Cd>ACTV</Cd>
  </SysSts>
</CalData>
<CalData>
  <SysDt>2020-10-17</SysDt>
  <SysSts>
    <Cd>ACTV</Cd>
  </SysSts>
</CalData>
<CalData>
```

```
<SysDt>2020-10-18</SysDt>
<SysSts>
  <Cd>ACTV</Cd>
</SysSts>
</CalData>
<CalData>
  <SysDt>2020-10-19</SysDt>
  <SysSts>
    <Cd>ACTV</Cd>
  </SysSts>
</CalData>
<CalData>
  <SysDt>2020-10-20</SysDt>
  <SysSts>
    <Cd>ACTV</Cd>
  </SysSts>
</CalData>
<CalData>
  <SysDt>2020-10-21</SysDt>
  <SysSts>
    <Cd>ACTV</Cd>
  </SysSts>
</CalData>
<CalData>
  <SysDt>2020-10-22</SysDt>
  <SysSts>
    <Cd>ACTV</Cd>
  </SysSts>
</CalData>
<CalData>
  <SysDt>2020-10-23</SysDt>
  <SysSts>
    <Cd>ACTV</Cd>
  </SysSts>
</CalData>
<CalData>
  <SysDt>2020-10-24</SysDt>
```

```
<SysSts>  
  <Cd>ACTV</Cd>  
</SysSts>  
</CalData>  
<CalData>  
  <SysDt>2020-10-25</SysDt>  
  <SysSts>  
    <Cd>ACTV</Cd>  
  </SysSts>  
</CalData>  
<CalData>  
  <SysDt>2020-10-26</SysDt>  
  <SysSts>  
    <Cd>ACTV</Cd>  
  </SysSts>  
</CalData>  
<CalData>  
  <SysDt>2020-10-27</SysDt>  
  <SysSts>  
    <Cd>ACTV</Cd>  
  </SysSts>  
</CalData>  
<CalData>  
  <SysDt>2020-10-28</SysDt>  
  <SysSts>  
    <Cd>ACTV</Cd>  
  </SysSts>  
</CalData>  
<CalData>  
  <SysDt>2020-10-29</SysDt>  
  <SysSts>  
    <Cd>ACTV</Cd>  
  </SysSts>  
</CalData>  
<CalData>  
  <SysDt>2020-10-30</SysDt>  
  <SysSts>
```

```
  <Cd>ACTV</Cd>  
</SysSts>  
</CalData>  
<CalData>  
  <SysDt>2020-10-31</SysDt>  
  <SysSts>  
    <Cd>ACTV</Cd>  
  </SysSts>  
</CalData>  
<CalData>  
  <SysDt>2020-11-01</SysDt>  
  <SysSts>  
    <Cd>ACTV</Cd>  
  </SysSts>  
</CalData>  
<CalData>  
  <SysDt>2020-11-02</SysDt>  
  <SysSts>  
    <Cd>ACTV</Cd>  
  </SysSts>  
</CalData>  
<CalData>  
  <SysDt>2020-11-03</SysDt>  
  <SysSts>  
    <Cd>ACTV</Cd>  
  </SysSts>  
</CalData>  
<CalData>  
  <SysDt>2020-11-04</SysDt>  
  <SysSts>  
    <Cd>ACTV</Cd>  
  </SysSts>  
</CalData>  
<CalData>  
  <SysDt>2020-11-05</SysDt>  
  <SysSts>  
    <Cd>ACTV</Cd>
```

```
</SysSts>
</CalData>
<CalData>
  <SysDt>2020-11-06</SysDt>
  <SysSts>
    <Cd>ACTV</Cd>
  </SysSts>
</CalData>
<CalData>
  <SysDt>2020-11-07</SysDt>
  <SysSts>
    <Cd>ACTV</Cd>
  </SysSts>
</CalData>
<CalData>
  <SysDt>2020-11-08</SysDt>
  <SysSts>
    <Cd>ACTV</Cd>
  </SysSts>
</CalData>
<CalData>
  <SysDt>2020-11-09</SysDt>
  <SysSts>
    <Cd>ACTV</Cd>
  </SysSts>
</CalData>
<CalData>
  <SysDt>2020-11-10</SysDt>
  <SysSts>
    <Cd>ACTV</Cd>
  </SysSts>
</CalData>
<CalData>
  <SysDt>2020-11-11</SysDt>
  <SysSts>
    <Cd>ACTV</Cd>
  </SysSts>
```

```
</CalData>
<CalData>
  <SysDt>2020-11-12</SysDt>
  <SysSts>
    <Cd>ACTV</Cd>
  </SysSts>
</CalData>
<CalData>
  <SysDt>2020-11-13</SysDt>
  <SysSts>
    <Cd>ACTV</Cd>
  </SysSts>
</CalData>
<CalData>
  <SysDt>2020-11-14</SysDt>
  <SysSts>
    <Cd>ACTV</Cd>
  </SysSts>
</CalData>
<CalData>
  <SysDt>2020-11-15</SysDt>
  <SysSts>
    <Cd>ACTV</Cd>
  </SysSts>
</CalData>
<CalData>
  <SysDt>2020-11-16</SysDt>
  <SysSts>
    <Cd>ACTV</Cd>
  </SysSts>
</CalData>
<CalData>
  <SysDt>2020-11-17</SysDt>
  <SysSts>
    <Cd>ACTV</Cd>
  </SysSts>
</CalData>
```

```
<CalData>
<SysDt>2020-11-18</SysDt>
<SysSts>
  <Cd>ACTV</Cd>
</SysSts>
</CalData>
<CalData>
<SysDt>2020-11-19</SysDt>
<SysSts>
  <Cd>ACTV</Cd>
</SysSts>
</CalData>
<CalData>
<SysDt>2020-11-20</SysDt>
<SysSts>
  <Cd>ACTV</Cd>
</SysSts>
</CalData>
<CalData>
<SysDt>2020-11-21</SysDt>
<SysSts>
  <Cd>ACTV</Cd>
</SysSts>
</CalData>
<CalData>
<SysDt>2020-11-22</SysDt>
<SysSts>
  <Cd>ACTV</Cd>
</SysSts>
</CalData>
<CalData>
<SysDt>2020-11-23</SysDt>
<SysSts>
  <Cd>ACTV</Cd>
</SysSts>
</CalData>
<CalData>
```

```
<SysDt>2020-11-24</SysDt>
<SysSts>
  <Cd>ACTV</Cd>
</SysSts>
</CalData>
<CalData>
<SysDt>2020-11-25</SysDt>
<SysSts>
  <Cd>ACTV</Cd>
</SysSts>
</CalData>
<CalData>
<SysDt>2020-11-26</SysDt>
<SysSts>
  <Cd>ACTV</Cd>
</SysSts>
</CalData>
<CalData>
<SysDt>2020-11-27</SysDt>
<SysSts>
  <Cd>ACTV</Cd>
</SysSts>
</CalData>
<CalData>
<SysDt>2020-11-28</SysDt>
<SysSts>
  <Cd>ACTV</Cd>
</SysSts>
</CalData>
<CalData>
<SysDt>2020-11-29</SysDt>
<SysSts>
  <Cd>ACTV</Cd>
</SysSts>
</CalData>
<CalData>
<SysDt>2020-11-30</SysDt>
```

```
<SysSts>
  <Cd>ACTV</Cd>
</SysSts>
</CalData>
<CalData>
  <SysDt>2020-12-01</SysDt>
  <SysSts>
    <Cd>ACTV</Cd>
  </SysSts>
</CalData>
<CalData>
  <SysDt>2020-12-02</SysDt>
  <SysSts>
    <Cd>ACTV</Cd>
  </SysSts>
</CalData>
<CalData>
  <SysDt>2020-12-03</SysDt>
  <SysSts>
    <Cd>ACTV</Cd>
  </SysSts>
</CalData>
<CalData>
  <SysDt>2020-12-04</SysDt>
  <SysSts>
    <Cd>ACTV</Cd>
  </SysSts>
</CalData>
<CalData>
  <SysDt>2020-12-05</SysDt>
  <SysSts>
    <Cd>ACTV</Cd>
  </SysSts>
</CalData>
<CalData>
  <SysDt>2020-12-06</SysDt>
  <SysSts>
```

```
    <Cd>ACTV</Cd>
  </SysSts>
</CalData>
<CalData>
  <SysDt>2020-12-07</SysDt>
  <SysSts>
    <Cd>ACTV</Cd>
  </SysSts>
</CalData>
<CalData>
  <SysDt>2020-12-08</SysDt>
  <SysSts>
    <Cd>ACTV</Cd>
  </SysSts>
</CalData>
<CalData>
  <SysDt>2020-12-09</SysDt>
  <SysSts>
    <Cd>ACTV</Cd>
  </SysSts>
</CalData>
<CalData>
  <SysDt>2020-12-10</SysDt>
  <SysSts>
    <Cd>ACTV</Cd>
  </SysSts>
</CalData>
<CalData>
  <SysDt>2020-12-11</SysDt>
  <SysSts>
    <Cd>ACTV</Cd>
  </SysSts>
</CalData>
<CalData>
  <SysDt>2020-12-12</SysDt>
  <SysSts>
    <Cd>ACTV</Cd>
```



```
</SysSts>
</CalData>
<CalData>
  <SysDt>2020-12-13</SysDt>
  <SysSts>
    <Cd>ACTV</Cd>
  </SysSts>
</CalData>
<CalData>
  <SysDt>2020-12-14</SysDt>
  <SysSts>
    <Cd>ACTV</Cd>
  </SysSts>
</CalData>
<CalData>
  <SysDt>2020-12-15</SysDt>
  <SysSts>
    <Cd>ACTV</Cd>
  </SysSts>
</CalData>
<CalData>
  <SysDt>2020-12-16</SysDt>
  <SysSts>
    <Cd>ACTV</Cd>
  </SysSts>
</CalData>
<CalData>
  <SysDt>2020-12-17</SysDt>
  <SysSts>
    <Cd>ACTV</Cd>
  </SysSts>
</CalData>
<CalData>
  <SysDt>2020-12-18</SysDt>
  <SysSts>
    <Cd>ACTV</Cd>
  </SysSts>
```

```
</CalData>
<CalData>
  <SysDt>2020-12-19</SysDt>
  <SysSts>
    <Cd>ACTV</Cd>
  </SysSts>
</CalData>
<CalData>
  <SysDt>2020-12-20</SysDt>
  <SysSts>
    <Cd>ACTV</Cd>
  </SysSts>
</CalData>
<CalData>
  <SysDt>2020-12-21</SysDt>
  <SysSts>
    <Cd>ACTV</Cd>
  </SysSts>
</CalData>
<CalData>
  <SysDt>2020-12-22</SysDt>
  <SysSts>
    <Cd>ACTV</Cd>
  </SysSts>
</CalData>
<CalData>
  <SysDt>2020-12-23</SysDt>
  <SysSts>
    <Cd>ACTV</Cd>
  </SysSts>
</CalData>
<CalData>
  <SysDt>2020-12-24</SysDt>
  <SysSts>
    <Cd>ACTV</Cd>
  </SysSts>
</CalData>
```



```
<CalData>
  <SysDt>2020-12-25</SysDt>
  <SysSts>
    <Cd>ACTV</Cd>
  </SysSts>
</CalData>
<CalData>
  <SysDt>2020-12-26</SysDt>
  <SysSts>
    <Cd>ACTV</Cd>
  </SysSts>
</CalData>
<CalData>
  <SysDt>2020-12-27</SysDt>
  <SysSts>
    <Cd>ACTV</Cd>
  </SysSts>
</CalData>
<CalData>
  <SysDt>2020-12-28</SysDt>
  <SysSts>
    <Cd>ACTV</Cd>
  </SysSts>
</CalData>
```

```
<CalData>
  <SysDt>2020-12-29</SysDt>
  <SysSts>
    <Cd>ACTV</Cd>
  </SysSts>
</CalData>
<CalData>
  <SysDt>2020-12-30</SysDt>
  <SysSts>
    <Cd>ACTV</Cd>
  </SysSts>
</CalData>
<CalData>
  <SysDt>2020-12-31</SysDt>
  <SysSts>
    <Cd>ACTV</Cd>
  </SysSts>
</CalData>
</CalOrErr>
</CalRpt>
</RptOrErr>
</CalRpt>
</Document>
```

Example 4

MT999: Information on calendar for the current month (January) of the current year (2021)

```
{1:F01GBPSOMRUXXX}{2:O999BUNNAEAXXXN}{3:{108:1909290001000974}}{4:
:20:R71398/999
:79:/CLDR/2101261449+0300
/CTRY/AE
/CRCY/AED
/MNTH/202101WWWWWWWWWWWWWWWWHWWWWWWWWWWWWWWWWHWWWWWWWW
-}
```

MX Equivalent

```

<?xml version="1.0" encoding="utf-8"?>
<!-- Application header -->
<AppHdr xmlns="urn:iso:std:iso:20022:tech:xsd:head.001.001.01">
<!-- Message Sender -->
  <Fr>
    <FIld>
      <FinInstnId>
        <BICFI>BUNNAEAA</BICFI>
      </FinInstnId>
    </FIld>
  </Fr>
<!-- Message Receiver -->
  <To>
    <FIld>
      <FinInstnId>
        <BICFI>GBPSOMRU</BICFI>
      </FinInstnId>
    </FIld>
  </To>
<!-- Message Reference -->
  <BizMsgId>190929BUNNAEAAXXX0001000974</BizMsgId>
<!-- Message Type -->
  <MsgDefId>reda.065.001.01</MsgDefId>
<!-- Message Creation Date/Time-->
  <CreDt>2021-01-26T13:49:12Z</CreDt>

  <Rltd>
<!-- Sender of related message-->
  <Fr>
    <FIld>
      <FinInstnId>
        <BICFI>GBPSOMRU</BICFI>
      </FinInstnId>
    </FIld>
  </Fr>

```

```

<!-- Message Receiver of related message -->
  <To>
    <FIld>
      <FinInstnId>
        <BICFI>BUNNAEAA</BICFI>
      </FinInstnId>
    </FIld>
  </To>
<!-- Message Reference of related message-->
  <BizMsgId>REDA064-21012514</BizMsgId>
<!-- Message Type -->
  <MsgDefId>reda.064.001.01</MsgDefId>
<!-- Message Creation Date/Time-->
  <CreDt>2021-01-26T13:49:11Z</CreDt>
</Rltd>
</AppHdr>

<!-- Document -->
<Document xmlns="urn:iso:std:iso:20022:tech:xsd:reda.065.001.01">
  <CalRpt>
    <MsgHdr>
      <MsgId>R71398/999</MsgId>
      <CreDtTm>2021-01-26T13:49:11.438+02:00</CreDtTm>
    </MsgHdr>
    <RptOrErr>
      <CalRpt>
        <Svc>
          <SysId>
            <Ctry>AE</Ctry>
          </SysId>
          <SysCcy>AED</SysCcy>
        </Svc>
      </CalRpt>
    </RptOrErr>
    <CalData>
      <SysDt>2021-01-01</SysDt>
    </CalData>
  </CalRpt>

```

```
<SysSts>
  <Cd>ACTV</Cd>
</SysSts>
</CalData>
<CalData>
  <SysDt>2021-01-02</SysDt>
  <SysSts>
    <Cd>ACTV</Cd>
  </SysSts>
</CalData>
<CalData>
  <SysDt>2021-01-03</SysDt>
  <SysSts>
    <Cd>ACTV</Cd>
  </SysSts>
</CalData>
<CalData>
  <SysDt>2021-01-04</SysDt>
  <SysSts>
    <Cd>ACTV</Cd>
  </SysSts>
</CalData>
<CalData>
  <SysDt>2021-01-05</SysDt>
  <SysSts>
    <Cd>ACTV</Cd>
  </SysSts>
</CalData>
<CalData>
  <SysDt>2021-01-06</SysDt>
  <SysSts>
    <Cd>ACTV</Cd>
  </SysSts>
</CalData>
<CalData>
  <SysDt>2021-01-07</SysDt>
  <SysSts>
```

```
    <Cd>ACTV</Cd>
  </SysSts>
</CalData>
<CalData>
  <SysDt>2021-01-08</SysDt>
  <SysSts>
    <Cd>ACTV</Cd>
  </SysSts>
</CalData>
<CalData>
  <SysDt>2021-01-09</SysDt>
  <SysSts>
    <Cd>ACTV</Cd>
  </SysSts>
</CalData>
<CalData>
  <SysDt>2021-01-10</SysDt>
  <SysSts>
    <Cd>ACTV</Cd>
  </SysSts>
</CalData>
<CalData>
  <SysDt>2021-01-11</SysDt>
  <SysSts>
    <Cd>ACTV</Cd>
  </SysSts>
</CalData>
<CalData>
  <SysDt>2021-01-12</SysDt>
  <SysSts>
    <Cd>ACTV</Cd>
  </SysSts>
</CalData>
<CalData>
  <SysDt>2021-01-13</SysDt>
  <SysSts>
    <Cd>CLSD</Cd>
```

```
</SysSts>
</CalData>
<CalData>
  <SysDt>2021-01-14</SysDt>
  <SysSts>
    <Cd>ACTV</Cd>
  </SysSts>
</CalData>
<CalData>
  <SysDt>2021-01-15</SysDt>
  <SysSts>
    <Cd>ACTV</Cd>
  </SysSts>
</CalData>
<CalData>
  <SysDt>2021-01-16</SysDt>
  <SysSts>
    <Cd>ACTV</Cd>
  </SysSts>
</CalData>
<CalData>
  <SysDt>2021-01-17</SysDt>
  <SysSts>
    <Cd>ACTV</Cd>
  </SysSts>
</CalData>
<CalData>
  <SysDt>2021-01-18</SysDt>
  <SysSts>
    <Cd>ACTV</Cd>
  </SysSts>
</CalData>
<CalData>
  <SysDt>2021-01-19</SysDt>
  <SysSts>
    <Cd>ACTV</Cd>
  </SysSts>
```

```
</CalData>
<CalData>
  <SysDt>2021-01-20</SysDt>
  <SysSts>
    <Cd>ACTV</Cd>
  </SysSts>
</CalData>
<CalData>
  <SysDt>2021-01-21</SysDt>
  <SysSts>
    <Cd>ACTV</Cd>
  </SysSts>
</CalData>
<CalData>
  <SysDt>2021-01-22</SysDt>
  <SysSts>
    <Cd>ACTV</Cd>
  </SysSts>
</CalData>
<CalData>
  <SysDt>2021-01-23</SysDt>
  <SysSts>
    <Cd>ACTV</Cd>
  </SysSts>
</CalData>
<CalData>
  <SysDt>2021-01-24</SysDt>
  <SysSts>
    <Cd>CLSD</Cd>
  </SysSts>
</CalData>
<CalData>
  <SysDt>2021-01-25</SysDt>
  <SysSts>
    <Cd>ACTV</Cd>
  </SysSts>
</CalData>
```

```
<CalData>
<SysDt>2021-01-26</SysDt>
<SysSts>
  <Cd>ACTV</Cd>
</SysSts>
</CalData>
<CalData>
<SysDt>2021-01-27</SysDt>
<SysSts>
  <Cd>ACTV</Cd>
</SysSts>
</CalData>
<CalData>
<SysDt>2021-01-28</SysDt>
<SysSts>
  <Cd>ACTV</Cd>
</SysSts>
</CalData>
<CalData>
<SysDt>2021-01-29</SysDt>
<SysSts>
```

```
  <Cd>ACTV</Cd>
</SysSts>
</CalData>
<CalData>
<SysDt>2021-01-30</SysDt>
<SysSts>
  <Cd>ACTV</Cd>
</SysSts>
</CalData>
<CalData>
<SysDt>2021-01-31</SysDt>
<SysSts>
  <Cd>ACTV</Cd>
</SysSts>
</CalData>
</CalOrErr>
</CalRpt>
</RptOrErr>
</CalRpt>
</Document>
```

8.4 PARTICIPANT STATUS

8.4.1 MT999/MPST ≡ CAMT.998/CHANGEPARTICSTATUS: MODIFY PARTICIPANT STATUS

Please refer to [1.11] for the description of the fields of message header which are not described in the table below.

SWIFT Status	MT Tag	MT Field Name	MT Format	Buna Status	Comment	Example	XPath in head.001 and camt.098
			/PTMB/4!a2!a2!c[3!c]	MA	Pseudo-BIC of Participant whose status is changed	MT: /PTMB/DDDDKWKW MX: DDDDKWKW	Document + CshMgmtPrtryMsg ++ PrtryData +++ Data ++++ Document +++++ ChangeParticipantStatus ++++++ PrtclId +++++++ ClrSysMmbld +++++++ Mmbld
			/NWST/4!c	M	New status of participant: ACTV — active INAC — inactive SUSP — suspended	MT: /NWST/ACTV MX: ACTV	Document + CshMgmtPrtryMsg ++ PrtryData +++ Data ++++ Document +++++ ChangeParticipantStatus ++++++ Status

Example

MT999: Request to change participant status to “Active”

```
{1:F01ADXXX}{2:I999BUNNAEAXXXN}{3:{108:1909290001000974}}{4:
:20:MESSAGE/5
:79:/MPST/1907261006+0400
/PTSW/ABPSEGCA
/NWST/ACTV
-}
```

MX Equivalent

```
<?xml version="1.0" encoding="utf-8"?>
```



```
<!-- Application header -->
<AppHdr xmlns="urn:iso:std:iso:20022:tech:xsd:head.001.001.01">
<!-- Message Sender -->
  <Fr>
    <FIld>
      <FinInstnId>
        <BICFI>ADMNEGCA</BICFI>
      </FinInstnId>
    </FIld>
  </Fr>
<!-- Message Receiver -->
  <To>
    <FIld>
      <FinInstnId>
        <BICFI>BUNNAEAA</BICFI>
      </FinInstnId>
    </FIld>
  </To>
<!-- Message Reference -->
  <BizMsgldr>190929BUNNAEAAXXX0001000974</BizMsgldr>
<!-- Message Type -->
  <MsgDefldr>camt.998.001.03</MsgDefldr>
<!-- Message Creation Date/Time-->
  <CreDt>2019-09-29T10:01:00Z</CreDt>
</AppHdr>

<!-- Document -->
<Document xmlns="urn:swift:xsd:camt.998.001.03">
  <!-- Example of participant status changing message -->
  <CshMgmtPrtryMsg>
    <MsgHdr>
      <!-- Unique message identifier -->
      <MsgId>MESSAGE/5</MsgId>
      <!-- Message creation date time -->
      <CreDtTm>2019-09-29T10:01:00+04:00</CreDtTm>
    </MsgHdr>
    <PrtryData>
```

```

<!-- Specification of the type of proprietary message -->
<Tp>cma.changeParticStatus.001.02</Tp>
<Data>
  <Document xmlns="urn:cma:xsd:cma.changeParticStatus.001.02">
    <ChangeParticipantStatus>
      <Prtcl>
        <BICFI>ABPSEGCA</BICFI>
      </Prtcl>
      <Status>ACTV</Status>
    </ChangeParticipantStatus>
  </Document>
</Data>
</PrtryData>
</CshMgmtPrtryMsg>
</Document>

```

8.4.2 MT999/PSTS ≡ CAMT.998/PARTICIPANTSTSREP: PARTICIPANT STATUS NOTIFICATION

Please refer to [1.11] for the description of the fields of message header which are not described in the table below.

Format of MT999/PSTS ≡ camt.998/participantStsRep: Participant status notification

SWIFT Status	MT Tag	MT Field Name	MT Format	Buna Status	Comment	Example	XPath in head.001 and camt.098
M	Block 2	Message type	3!n	M	MT:SWIFT message type. MX: MX message type	MT: 999 ≡ MX: camt.998.001.03	AppHdr + MsgDefldr Document AND
M	20	Transaction Reference Number	16x	M	Unique reference assigned by the Sender of the text message	707281611261702	Document + CshMgmtPrtryMsg ++ MsgHdr +++ MsgId

SWIFT Status	MT Tag	MT Field Name	MT Format	Buna Status	Comment	Example	XPath in head.001 and camt.098
O	21	Related reference	16x	O	Reference of the message if the current message is sent as reply	345345	Document + CshMgmtPrtryMsg ++ Rltd +++ Ref
M	79	Narrative	/4!a/	M	Type of proprietary message	MT: /PSTS/1909290902+0400 MX: cma.participantStsRep.001.02	Document + CshMgmtPrtryMsg ++ PrtryData +++ Tp
			[6!n4!n1!x4!n]	O	Date/Time of message creation	MT: /PSTS/1909290902+0400 MX: 2019-09-29T09:02:00+04:00	Document + CshMgmtPrtryMsg ++ MsgHdr +++ CreDtTm
			/PTSW/4!a2!a2!c[3!c]	MA	Pseudo-BIC of Participant whose status is changed	MT: /PTSW/CCCCKWKW MX: CCCCKWKW	Document + CshMgmtPrtryMsg ++ PrtryData +++ Data ++++ Document +++++ PrtcStsRpt +++++ Prtcl +++++ BICFI
			/PTMB/4!a2!a2!c[3!c]	MA	Pseudo-BIC of Participant whose status is changed	MT: /PTMB/DDDDKWKW MX: DDDDKWKW	Document + CshMgmtPrtryMsg ++ PrtryData +++ Data ++++ Document +++++ PrtcStsRpt +++++ Prtcl +++++ ClrSysMmbld +++++ Mmbld

SWIFT Status	MT Tag	MT Field Name	MT Format	Buna Status	Comment	Example	XPath in head.001 and camt.098
			/PNAM/35x	O	Name of Participant whose status is changed	MT: /PNAM/Buna Participant A MX: Buna Participant A	Document + CshMgmtPrtryMsg ++ PrtryData +++ Data ++++ Document +++++ PrtcStsRpt ++++++ PrtclId +++++++ Nm
			/PRST/4!c	O	Previous status of participant: ACTV — active INAC — inactive SUSP — suspended	MT: /PRST/SUSP MX: SUSP	Document + CshMgmtPrtryMsg ++ PrtryData +++ Data ++++ Document +++++ PrtcStsRpt ++++++ PrtcSts +++++++ PrevSts
			/CRST/4!c	M	Current status of participant: ACTV — active INAC — inactive SUSP — suspended	MT: /CRST/ACTV MX: ACTV	Document + CshMgmtPrtryMsg ++ PrtryData +++ Data ++++ Document +++++ PrtcStsRpt ++++++ PrtcSts +++++++ CurSts

Example

MT999: Status of participant changed from “Suspended” to “Active”

```
{1:F01ABPSEGCAXXX}{2:O999BUNNAEAAXXXN}{3:{108:1909290001000975}}{4:
:20:MESSAGE/6
:21:MESSAGE/5
:79:/PSTS/1907261006+0400
```

```
/PTSW/ABPSEGCA  
/PNAM/Buna Participant A  
/PRST/SUSP  
/CRST/ACTV  
-}
```

MX equivalent

```
<?xml version="1.0" encoding="utf-8"?>  

```

```

        </FinInstnId>
    </FIld>
</Fr>
<!-- Related Message Receiver -->
    <To>
        <FIld>
            <FinInstnId>
                <BICFI>BUNNAEAA</BICFI>
            </FinInstnId>
        </FIld>
    </To>
<!-- Related Message Reference -->
    <BizMsgId>Message/5</BizMsgId>
<!-- Related Message Type -->
    <MsgDefId>camt.998.001.03</MsgDefId>
<!-- Related Message Creation Date/Time-->
    <CreDt>2019-09-29T10:01:00Z</CreDt>
</Rltd>
</AppHdr>
<!-- Document -->
<Document xmlns="urn:swift:xsd:camt.998.001.03">
<!-- Example of participant status report message -->
    <CshMgmtPrtryMsg>
        <MsgHdr>
<!-- Unique message identifier -->
            <MsgId>Message/6</MsgId>
<!-- Message creation date time -->
            <CreDtTm>2019-07-26T10:06:00+04:00</CreDtTm>
        </MsgHdr>
        <Rltd>
            <Ref>Message/5</Ref>
        </Rltd>
        <PrtryData>
<!-- Specification of the type of proprietary message -->
            <Tp>cma.participantStsRep.001.02</Tp>
            <Data>

```

```

<Document xmlns="urn:cma:xsd:cma.participantStsRep.001.02">
  <PrtcStsRpt>
    <PrtclId>
      <BICFI>ABPSEGCA</BICFI>
      <Nm>Buna Participant A</Nm>
    </PrtclId>
    <PrtcSts>
      <PrevSts>SUSP</PrevSts>
      <CurSts>ACTV</CurSts>
    </PrtcSts>
    <CreDtTm>2019-07-26T10:06:00+04:00</CreDtTm>
  </PrtcStsRpt>
</Document>
</Data>
</PrtryData>
</CshMgmtPrtryMsg>
</Document>

```

8.5 ACCOUNT STATUS

8.5.1 MT999/LCKA ≡ CAMT.998/LOCKACCOUNT: LOCK ACCOUNT

Please refer to [1.11] for the description of the fields of message header which are not described in the table below.

Format of MT999/LCKA ≡ camt.998/lockAccount: Lock account request

SWIFT Status	MT Tag	MT Field Name	MT Format	Buna Status	Comment	Example	XPath in head.001 and camt.998
M	Block 2	Message type	3!n	M	MT:SWIFT message type. MX: MX message type	MT: 999 ≡ MX: camt.998.001.03	AppHdr + MsgDefldr Document AND

SWIFT Status	MT Tag	MT Field Name	MT Format	Buna Status	Comment	Example	XPath in head.001 and camt.998
M	20	Transaction Reference Number	16x	M	Unique reference assigned by the Sender of the message	345345	Document + CshMgmtPrtryMsg ++ MsgHdr +++ MsgId
M	79	Narrative	/4!a/	M	Type of proprietary message	MT: /LCKA/1909290902+0400 MX: cma.lockAccount.001.02	Document + CshMgmtPrtryMsg ++ PrtryData +++ Tp
			[6!n4!n1!x4!n]	O	Date/Time of message creation	MT: /LCKA/1909290902+0400 MX: 2019-09-29T09:02:00+04:00	Document + CshMgmtPrtryMsg ++ MsgHdr +++ CreDtTm
			/ACNT/34x	M	Account which status is changed	MT: /ACNT/908000000005517047 MX: 908000000005517047	Document + CshMgmtPrtryMsg ++ PrtryData +++ Data ++++ Document +++++ LockAccount ++++++ AccountCode
			/LDBT/Y	O	Flag locking for debit	MT: /LDBT/Y MX: true	Document + CshMgmtPrtryMsg ++ PrtryData +++ Data ++++ Document +++++ LockAccount ++++++ LockDebit

SWIFT Status	MT Tag	MT Field Name	MT Format	Buna Status	Comment	Example	XPath in head.001 and camt.998
			/LCDT/Y	O	Flag locking for credit	MT: /LCDT/Y MX: true	Document + CshMgmtPrtryMsg ++ PrtryData +++ Data ++++ Document +++++ LockAccount ++++++ LockCredit

Additional comments

The combinations of parameters and the result of request are given below in the table.

Message parameters		Result of message processing	
Lock Debit in the message	Lock Credit in the message	Account is locked for debit	Account is locked for credit
absent	true	No changes	Yes
true	absent	Yes	No changes
true	true	Yes	Yes

Example

MT999: Request to lock account''

```
{1:F01ADMNEGCAXXX}{2:I999BUNNAEAXXXN}{3:{108:1909290001000977}}{4:
:20:R976
:79:/LCKA/1909290901+0400
/ACNT/908000000005517047
```

```
/LDBT/Y  
/LCDT/Y  
-}
```

MX Equivalent

```
<?xml version="1.0" encoding="utf-8"?>  

```




SWIFT Status	MT Tag	MT Field Name	MT Format	Buna Status	Comment	Example	XPath in head.001 and camt.98
M	20	Transaction Reference Number	16x	M	Unique reference assigned by the Sender of the text message	345345	Document + CshMgmtPrtryMsg ++ MsgHdr +++ MsgId
M	79	Narrative	/4!a/	M	Type of proprietary message	MT: /ULKA/1909290902+0400 MX: cma.unlockAccount.001.02	Document + CshMgmtPrtryMsg ++ PrtryData +++ Tp
			[6!n4!n1!x4!n]	O	Date/Time of message creation	MT: /ULKA/1909290902+0400 MX: 2019-09-29T09:02:00+04:00	Document + CshMgmtPrtryMsg ++ MsgHdr +++ CreDtTm
			/ACNT/34x	M	Account which status is changed	MT: /ACNT/908000000005517047 MX: 908000000005517047	Document + CshMgmtPrtryMsg ++ PrtryData +++ Data ++++ Document +++++ UnlockAccount ++++++ AccountCode
			/UDBT/Y	O	Flag unlocking for debit	MT: /UDBT/Y MX: true	Document + CshMgmtPrtryMsg ++ PrtryData +++ Data ++++ Document +++++ UnlockAccount ++++++ UnlockDebit



SWIFT Status	MT Tag	MT Field Name	MT Format	Buna Status	Comment	Example	XPath in head.001 and camt.98
			/UCDT/Y	M	Flag unlocking for credit	MT: /UCDT/Y MX: true	Document + CshMgmtPrtryMsg ++ PrtryData +++ Data ++++ Document +++++ UnlockAccount ++++++ UnlockCredit

Additional comments

The combinations of parameters and the result of request are given below in the table.

Message parameters		Result of message processing	
unLock Debit in the message	unLock Credit in the message	Account is locked for debit	Account is locked for credit
absent	true	No changes	No
true	absent	No	No changes
true	true	No	No

Example

MT999: Request to unlock account"

```
{1:F01ADMNEGCAXXX}{2:I999BUNNAEAXXXN}{3:{108:1909290001000976}}{4:
:20:R976
:79:/ULKA/1909290901+0400
/ACNT/908000000005517047
```

```
/UDBT/Y  
/UCDT/Y  
-}
```

MX Equivalent

```
<?xml version="1.0" encoding="utf-8"?>  

```

```

<!-- Unique message identifier -->
  <MsgId>R976</MsgId>
<!-- Message creation date time -->
  <CreDtTm>2019-09-29T10:06:00+04:00</CreDtTm>
  </MsgHdr>
  <PrtryData>
<!-- Specification of the type of proprietary message -->
  <Tp>cma.unlockAccount.001.02</Tp>
  <Data>
    <Document xmlns="urn:cma:xsd:cma.unlockAccount.001.02">
      <UnlockAccount>
        <AccountCode>908000000005517047</AccountCode>
        <UnlockDebit>true</UnlockDebit>
        <UnlockCredit>true</UnlockCredit>
      </UnlockAccount>
    </Document>
  </Data>
  </PrtryData>
</CshMgmtPrtryMsg>
</Document>

```

8.5.3 MT999/ACST ≡ CAMT.052/ACST: ACCOUNT STATUS NOTIFICATION

Please refer to [1.11] for the description of the fields of message header which are not described in the table below.

Format of MT999/ACST ≡ camt.052/ACST: Account status (locking/unlocking)

SWIFT Status	MT Tag	MT Field Name	MT Format	Buna Status	Comment	Example	XPath in head.001 and camt.052
M	Block 2	Message type	3!n	M	MT:SWIFT message type. MX: MX message type	MT: 999 ≡ MX: camt.052.001.08	AppHdr + MsgDefldr Document AND

SWIFT Status	MT Tag	MT Field Name	MT Format	Buna Status	Comment	Example	XPath in head.001 and camt.052
M	20	Transaction Reference Number	16x	M	Unique reference assigned by Buna	707281611261702	Document + BkToCstmrAcctRpt ++ GrpHdr +++ MsgId AND Document + BkToCstmrAcctRpt ++ Rpt +++ Id
O	21	Related reference	16x	O	Reference of the message if the current message is sent as reply	345345	Document + BkToCstmrAcctRpt ++ GrpHdr +++ OrgnlBizQry ++++ MsgId
M	79	Narrative	/4!a/	M	Type of reporting message	MT: /ACST/1909290902+0400 MX: ACST	Document + BkToCstmrAcctRpt ++ GrpHdr +++ AddtlInf
			[6!n4!n1!x4!n]	O	Report creation date/time	MT: /ACST/1909290902+0400 MX: 2019-09-29T09:02:00+04:00	Document + BkToCstmrAcctRpt ++ GrpHdr +++ CreDtTm AND Document + BkToCstmrAcctRpt ++ Rpt +++ CreDtTm

SWIFT Status	MT Tag	MT Field Name	MT Format	Buna Status	Comment	Example	XPath in head.001 and camt.052
			/ACNT/34x	M	Account code	235434534534	Document + BkToCstmrAcctRpt ++ Rpt +++ Acct ++++ Id +++++ Othr ++++++ Id
			/LCKD/2!a	M	AA — Account is not locked DA — Debit is locked AC — Credit is locked DC — Account is locked both for debit and credit	/LCKD/AA	Document + BkToCstmrAcctRpt ++ Rpt +++ AddtlRptInf

Example

MT999: Information on account locking/unlocking

```
{1:F01BBBBKWKWXXX}{2:O999BUNNAEAXXXN}{3:{108:1909291611261703}}{4:
:20:707281611261703
:21:R976
:79:/ACST/1909290902+0400
/ACNT/908000000005517047
/LCKD/AA
-}
```

MX equivalent

```
<?xml version="1.0" encoding="utf-8"?>
```

```
<!-- Application header -->
```

```
<AppHdr xmlns="urn:iso:std:iso:20022:tech:xsd:head.001.001.01">
```

```
<!-- Message Sender -->
```

```
<Fr>
```

```
<FIld>
```

```
<FinInstnId>
```

```
<BICFI>BUNNAEAA</BICFI>
```

```
</FinInstnId>
```

```
</FIld>
```

```
</Fr>
```

```
<!-- Message Receiver -->
```

```
<To>
```

```
<FIld>
```

```
<FinInstnId>
```

```
<ClrSysMmbld><Mmbld>BBBBKWKW</Mmbld></ClrSysMmbld>
```

```
</FinInstnId>
```

```
</FIld>
```

```
</To>
```

```
<!-- Message Reference -->
```

```
<BizMsgldr>190929BUNNAEAAXXX1611261703</BizMsgldr>
```

```
<!-- Message Type -->
```

```
<MsgDefldr>camt.052.001.08</MsgDefldr>
```

```
<!-- Message Creation Date/Time-->
```

```
<CreDt>2019-09-29T10:06:01Z</CreDt>
```

```
<Rltd>
```

```
<!-- Sender of related message-->
```

```
<Fr>
```

```
<FIld>
```

```
<FinInstnId>
```

```
<BICFI>AAAAKWKW</BICFI>
```

```
</FinInstnId>
```

```
</FIld>
```

```
</Fr>
```

```
<!-- Message Receiver of related message -->
```

```
<To>
```

```
<FIld>
```

```
<FinInstnId>
  <BICFI>BUNNAEAA</BICFI>
</FinInstnId>
</FIld>
</To>
<!-- Message Reference of related message-->
<BizMsgLdr>R976</BizMsgLdr>
<!-- Message Type -->
<MsgDefldr>camt.998.001.03</MsgDefldr>
<!-- Message Creation Date/Time-->
<CreDt>2019-09-29T10:06:00Z</CreDt>
</Rltd>
</AppHdr>
<!-- Document -->
<Document xmlns="urn:iso:std:iso:20022:tech:xsd:camt.052.001.08">
  <BkToCstmrAcctRpt>
    <GrpHdr>
      <!-- Unique Message ID generated by the System -->
      <MsgId>707281611261703</MsgId>
      <!-- Message creation date/time -->
      <CreDtTm>2019-09-29T10:06:01+04:00</CreDtTm>
      <OrgnlBizQry>
        <!-- Message ID of the request -->
        <MsgId>R976</MsgId>
        <!-- MX type of the request message. -->
        <MsgNmId>camt.998.001.03</MsgNmId>
        <!-- Date/time of the request message creation -->
        <CreDtTm>2019-09-29T10:06:00+04:00</CreDtTm>
      </OrgnlBizQry>
    </GrpHdr>
  </BkToCstmrAcctRpt>
</Document>
<!-- ACST for account status -->
  <AddtlInf>ACST</AddtlInf>
</GrpHdr>
<Rpt>
  <!-- Unique Report ID generated by the System -->
  <Id>707281611261702</Id>
```

```
<CreDtTm>2019-09-29T09:02:00+04:00</CreDtTm>
<Acct>
  <Id>
    <Othr>
      <Id>908000000005517047</Id>
    </Othr>
  </Id>
  <Ownr>
    <Id>
      <OrgId>
        <AnyBIC>BBBBKWKW</AnyBIC>
      </OrgId>
    </Id>
  </Ownr>
</Acct>
```

```
<!-- Account status AA - not locked, DA - locked for debit, AC - locked for credit, DC - locked both for debit and credit -->
```

```
<AddtlRptInf>/LCKD/AA</AddtlRptInf>
</Rpt>
</BkToCstmrAcctRpt>
</Document>
```

9 PROCESSING MESSAGES

9.1 MTN96/ERRC ≡ CAMT.025: PROCESSING ERROR MESSAGE

This message is generated in the case of errors in the processing of a message.

Please refer to [1.11] for the description of the fields of message header which are not described in the table below.

Format of MTn96/ERRC ≡ camt.025: Processing error message.

SWIFT status	MT Field	MT Field name	MT Format	Buna status	Comment	Example	XPath in head.001 and camt.025
M	Block 2	Message type	3!n	M	MT:SWIFT message type. MX: MX message type	MT: 196 or 296 MX: camt.025.001.05	AppHdr + MsgDefldr AND Document
M	20	Message reference	16x	M	Identifier of the reply message	R60000044551	Document + Rct ++ MsgHdr +++ Msgld
M	21	Related reference	16x	M	Reference number of the request	ABP08013	Document + Rct ++ RctDtls +++ OrgnlMsgld ++++ Msgld
M	76	Reply	4!a	M	ERRC	ERRC	Document + Rct ++ RctDtls +++ ReqHdlg ++++ StsCd
			/6!n4!n1!x4!n	O	Date/Time of the status message creation	MT: 1909291754+0400 MX: 2019-03-26T17:54:30+04:00	Document + Rct ++ MsgHdr +++ CreDtTm
O	77A	Comment	2!a10n 5*35x	O	Code of the error Description of the error; Additional information	EA6 Reference document is not found	Document + Rct ++ RctDtls +++ ReqHdlg ++++ Desc

SWIFT status	MT Field	MT Field name	MT Format	Buna status	Comment	Example	XPath in head.001 and camt.025
O	11R	Type and Date of the related message	3!n	O	Message type of the request, which was followed by the error message	MT: 195 MX: pacs.028.001.03/195	Document + Rct ++ RctDtIs +++ OrgnIMsgId ++++ MsgNmId
			6!n	O	Calendar date of the request sending (MT: YYYYMMDD)	MT: 190929 MX: 2019-09-29T11:47:37+04:00	AppHdr + Rltd ++ CreDt

Additional comments

Field :20: contains the message reference MTn96.

Field :21: contains Message reference of the request, which was followed by the error message.

Field :76: contains the “ERRC” code, which is followed by the date and time of the error detection.

Field :77A: of the MTn96 contains following lines:

1 Line	Code error/warning
2 Line	Description error/warning
3 Line	Additional information , referred to the error/warning (optional).

Example

MT196: Error notification

```
{1:F01BBPSTNTTXXXX}{2:O196BUNNAEAAXXXN}{3:{108:1909290002044551}}{4:
:20:A60000044551
:21:R22000000008013
:76:ERRC/1909291706+0400
```



:77A:EM125
Wrong account code
:11R:195
190929
-}

MX Equivalent

```
<?xml version="1.0" encoding="UTF-8"?>
<!-- Application header -->
<AppHdr xmlns="urn:iso:std:iso:20022:tech:xsd:head.001.001.01">
<!-- Message Sender:-Buna-->
  <Fr>
    <FIld>
      <FinInstnId>
        <BICFI>BUNNAEAA</BICFI>
      </FinInstnId>
    </FIld>
  </Fr>
<!-- Message Receiver : BP-->
  <To>
    <FIld>
      <FinInstnId>
        <BICFI>BBPSTNTT</BICFI>
      </FinInstnId>
    </FIld>
  </To>
<!-- Message Reference -->
  <BizMsgIdr>190929BUNNAEAAXXX0002044551</BizMsgIdr>
<!-- Message Type -->
  <MsgDefIdr>camt.025.001.05</MsgDefIdr>
<!-- Message Creation Date/Time-->
  <CreDt>2019-09-29T09:03:01Z</CreDt>
  <Rltd>
<!-- Related Message Sender -->
  <Fr>
    <FIld>
```

```
<FinInstnId>
  <BICFI>ABPSEGCA</BICFI>
</FinInstnId>
</FIld>
</Fr>
<!-- Related Message Receiver -->
  <To>
    <FIld>
      <FinInstnId>
        <BICFI>BUNNAEAA</BICFI>
      </FinInstnId>
    </FIld>
  </To>
<!-- Related Message Reference -->
  <BizMsgIdr>R22000000008013</BizMsgIdr>
<!-- Related Message Type -->
  <MsgDefldr>pacs.028.001.03</MsgDefldr>
<!-- Related Message Creation Date/Time-->
  <CreDt>2019-09-29T09:02:00Z</CreDt>
</Rltd>
</AppHdr>

<!-- Document -->
<Document xmlns="urn:iso:std:iso:20022:tech:xsd:camt.025.001.05">
  <Rct>
    <MsgHdr>
      <!-- Unique message reference -->
      <MsgId>A60000044551</MsgId>
      <!-- Message creation date time -->
      <CreDtTm>2019-09-29T17:54:30+04:00</CreDtTm>
    </MsgHdr>
    <RctDtls>
      <OrgnlMsgId>
        <!-- Original message reference -->
        <MsgId>R22000000008013</MsgId>
        <!-- Original message type -->
        <MsgNmId>pacs.028.001.03/195</MsgNmId>
      </OrgnlMsgId>
    </RctDtls>
  </Rct>
</Document>
```



```

<!-- Original sender BIC -->
  <OrgtrNm>ABPSEGCA</OrgtrNm>
  </OrgnMsgId>
  <ReqHdlg>
    <StsCd>ERRC</StsCd>
<!-- Error code and details -->
  <Desc>EM125
Wrong account code</Desc>
  </ReqHdlg>
  </RctDtls>
</Rct>
</Document>

```

9.2 MTN96/OK ≡ CAMT.025: SUCCESSFUL PROCESSING MESSAGE

This message can be generated in the case of success in the processing of a message.

Please refer to [1.11] for the description of the fields of message header which are not described in the table below.

Format of MTn96/OK ≡ camt.025: Processing message.

SWIFT status	MT Field	MT Field name	MT Format	Buna status	Comment	Example	XPath in head.001 and camt.025
M	Block 2	Message type	3!n	M	MT:SWIFT message type. MX: MX message type	MT: 196 or 296 MX: camt.025.001.05	AppHdr + MsgDefldr AND Document
M	20	Message reference	16x	M	Identifier of the reply message	R60000044551	Document + Rct ++ MsgHdr +++ MsgId

SWIFT status	MT Field	MT Field name	MT Format	Buna status	Comment	Example	XPath in head.001 and camt.025
M	21	Related reference	16x	M	Reference number of the request	ABP08013	Document + Rct ++ RctDtIs +++ OrgnlMsgld ++++ Msgld
M	76	Reply	4a	M	OK	OK	Document + Rct ++ RctDtIs +++ ReqHdlg ++++ StsCd
			/6!n4!n1!x4!n	O	Date/Time of the status message creation	MT: 1909291754+0400 MX: 2019-03-26T17:54:30+04:00	Document + Rct ++ MsgHdr +++ CreDtTm
O	11R	Type and Date of the related message	3!n	O	Message type of the request, which was followed by the error message	MT: 195 MX: pacs.028.001.03/195	AppHdr + Rltd ++ MsgDefldr
			6!n	O	Calendar date of the request sending (MT: YYMMDD)	MT: 190929 MX: 2019-09-29T11:47:37	AppHdr + Rltd ++ CreDt

Example

MT196: Successful processing message

```
{1:F01BBPSTNTTXXX555599999}{2:O196BUNNAEAAXXXN}{3:{108:1909290060044551}}{4:
:20:A60000044551
:21:R22000000008013
:76:OK/1909291706+0400
:11R:195
```

190929

-}

MX Equivalent

```
<?xml version="1.0" encoding="UTF-8"?>
```

```
<!-- Application header -->
```

```
<AppHdr xmlns="urn:iso:std:iso:20022:tech:xsd:head.001.001.01">
```

```
<!-- Message Sender:-Buna-->
```

```
<Fr>
```

```
<FIld>
```

```
<FinInstnId>
```

```
<BICFI>BUNNAEAA</BICFI>
```

```
</FinInstnId>
```

```
</FIld>
```

```
</Fr>
```

```
<!-- Message Receiver : BP-->
```

```
<To>
```

```
<FIld>
```

```
<FinInstnId>
```

```
<BICFI>BBPSTNTT</BICFI>
```

```
</FinInstnId>
```

```
</FIld>
```

```
</To>
```

```
<!-- Message Reference -->
```

```
<BizMsgIdr>190929BUNNAEAAAXXX0060044551</BizMsgIdr>
```

```
<!-- Message Type -->
```

```
<MsgDefIdr>camt.025.001.05</MsgDefIdr>
```

```
<!-- Message Creation Date/Time-->
```

```
<CreDt>2019-09-29T09:03:01Z</CreDt>
```

```
<Rltd>
```

```
<!-- Related Message Sender -->
```

```
<Fr>
```

```
<FIld>
```

```
<FinInstnId>
```

```
<BICFI>ABPSEGCA</BICFI>
```

```
</FinInstnId>
```

```
</Fld>
</Fr>
<!-- Related Message Receiver -->
<To>
  <Fld>
    <FinInstnId>
      <BICFI>BUNNAEAA</BICFI>
    </FinInstnId>
  </Fld>
</To>
<!-- Related Message Reference -->
<BizMsgId>R22000000008013</BizMsgId>
<!-- Related Message Type -->
<MsgDefId>pacs.028.001.03</MsgDefId>
<!-- Related Message Creation Date/Time-->
<CreDt>2019-09-29T09:02:00+04:00Z</CreDt>
</Rltd>
</AppHdr>

<!-- Document -->
<Document xmlns="urn:iso:std:iso:20022:tech:xsd:camt.025.001.05">
  <Rct>
    <MsgHdr>
      <!-- Unique message reference -->
      <MsgId>A60000044551</MsgId>
      <!-- Message creation date time -->
      <CreDtTm>2019-09-29T17:54:30+04:00</CreDtTm>
    </MsgHdr>
    <RctDtIs>
      <OrgnlMsgId>
        <!-- Original message reference -->
        <MsgId>R22000000008013</MsgId>
        <!-- Original message type -->
        <MsgNmId>pacs.028.001.03/195</MsgNmId>
        <!-- Original sender BIC -->
        <OrgtrNm>ABPSEGCA</OrgtrNm>
      </OrgnlMsgId>
    </RctDtIs>
  </Rct>
</Document>
```

```

        <ReqHdlg>
          <StsCd>OK</StsCd>
        </ReqHdlg>
      </RctDtls>
    </Rct>
  </Document>

```

9.3 MT996/RJCT ≡ ADMI.002: REJECTION MESSAGE

admi.002 is a rejection message generated by Buna and received by the payment sender. The message can be translated to MT996/RJCT.

Please refer to [1.11] for the description of the fields of message header which are not described in the table below.

Format of MT996/RJCT ≡ admi.002: Rejection message.

SWIFT Status	MT Field	MT Field Name	MT Format	Buna Status	Comment	Example	XPath in head.001 and admi.002
M	Block 2	Message type	3!n	M	MT:SWIFT message type. MX: MX message type	MT: 996 MX: admi.002.001.05	AppHdr + MsgDefldr AND Document
M	20	Message reference	16x	M	Unique Id assigned by the system	R219092934764455	AppHdr + BizMsgldr
M	21	Related reference	16x	M	Id of the related message	ABPS103001	Document + admi.002.001.01 ++ RltdRef +++ Ref
M	76	Reply	4!a	M	RJCT fixed value for admi.002	RJCT	--



SWIFT Status	MT Field	MT Field Name	MT Format	Buna Status	Comment	Example	XPath in head.001 and admi.002
			[/6!n4!n1!x4!n]	O	Date/Time of the rejection	MT: 1909291754+0400 MX: 2019-09-29T17:54:30+04:00	Document + admi.002.001.01 ++ Rsn +++ RjctnDtTm
O	77A	Comment	2!a10n	O	Code of the error	ER36	Document + admi.002.001.01 ++ Rsn +++ RjctgPtyRsn
			35x	O	Description of the error	Validation error	Document + admi.002.001.01 ++ Rsn +++ RsnDesc
O	79	Narrative description	35*50x	O	Additional information	MT: Invalid MX input: /(1,1366) cvc-complex-type.2.4.a: //Invalid content was found startin MX: Invalid MX input: (1,1366) cvc-complex-type.2.4.a: Invalid content was found startin	Document + admi.002.001.01 ++ Rsn +++ AddtlData

Example

MT996: Rejection notification

```
{1:F01ABPSEGCAXXX555599999}{2:O996BUNNAEAAXXXN}{3:{108:1909290006004455}}{4:
:20:A60000044551
:21:ABPS103001
:76:RJCT/1909291223+0400
:77A:EA1
Text block has invalid format
:79:Invalid MX input:
/(1,1366) cvc-complex-type.2.4.a:
//Invalid content was found startin
```

```
//g with element 'NbOfTx'. One of
//";urn:iso:std:iso:20022:tech:xsd:
//pacs.009.001.07";:BtchBookg)' is
//expected.
-}
```

MX Equivalent

```
<?xml version="1.0" encoding="UTF-8"?>
<!-- Application header -->
<AppHdr xmlns="urn:iso:std:iso:20022:tech:xsd:head.001.001.01">
<!-- Message Sender:-Buna-->
  <Fr>
    <FIld>
      <FinInstnId>
        <BICFI>BUNNAEAA</BICFI>
      </FinInstnId>
    </FIld>
  </Fr>
<!-- Message Receiver : BP-->
  <To>
    <FIld>
      <FinInstnId>
        <BICFI>BBPSTNTT</BICFI>
      </FinInstnId>
    </FIld>
  </To>
<!-- Message Reference -->
  <BizMsgIdr>190929BUNNAEAAXXX0006004455</BizMsgIdr>
<!-- Message Type -->
  <MsgDefIdr>admi.002.001.01</MsgDefIdr>
<!-- Message Creation Date/Time-->
  <CreDt>2019-09-29T12:23:53Z</CreDt>
</AppHdr>

<!-- Document -->
<Document xmlns="urn:iso:std:iso:20022:tech:xsd:admi.002.001.01">
```

```

<admi.002.001.01>
  <RltdRef>
<!-- Reference of the rejected message -->
  <Ref>190122165954000</Ref>
  </RltdRef>
  <Rsn>
<!-- Rejection code -->
  <RjctgPtyRsn>EA1</RjctgPtyRsn>
<!-- Rejection time -->
  <RjctnDtTm>2019-01-22T16:23:53+04:00</RjctnDtTm>
<!-- Rejection code description -->
  <RsnDesc>Text block has invalid format</RsnDesc>
<!--Additional data related to the rejected message -->
  <AddtlData>Invalid MX input:
    [1,1366] cvc-complex-type.2.4.a: Invalid content was found starting with element 'NbOfTx'. One of
    '{&quot;urn:iso:std:iso:20022:tech:xsd:pacs.009.001.08&quot;;:BtchBookg}' is expected.</AddtlData>
  </Rsn>
</admi.002.001.01>
</Document>

```

10 REQUEST FOR PAYMENT OF CHARGES

10.1 MT191 ≡ CAMT.998: REQUEST FOR PAYMENT OF CHARGES

This message is sent participant to request charges from counterparty. Buna forwards this message to the receiving party.

Please refer to [1.11] for the description of the fields of message header which are not described in the table below.

Format of MT191 ≡ camt.998: Request for Payment of Charges

SWIFT Status	MT Field	MT Name	Field	MT Format	Buna Status	Comment	Example	XPath in camt.998
M	20	Transaction Reference Number		35x	M	Unique message reference	R1812080/191	Document + CshMgmtPrtryMsg ++ MsgHdr +++ Msgld



SWIFT Status	MT Field	MT Name	Field	MT Format	Buna Status	Comment	Example	XPath in camt.998
M	21	Related reference		16x	M	Reference of transaction	213412334123423	Document + CshMgmtPrtryMsg ++ Rltd +++ Ref
M	32B	Currency Code, Amount		3!a15d	M	Amount = Sum of charges in field 71B	AED5801,88	Document + CshMgmtPrtryMsg ++ PrtryData +++ Data ++++ Document +++++ PmtForChrgsReq +++++ Amt
O	52a	Ordering Institution		/34x	O	Party Identifier		Document + CshMgmtPrtryMsg ++ PrtryData +++ Data ++++ Document +++++ PmtForChrgsReq +++++ Dbtr +++++ FinInstnId +++++ Othr +++++ Id



SWIFT Status	MT Field	MT Name	Field	MT Format	Buna Status	Comment	Example	XPath in camt.998
O						Fixed value PTID		Document + CshMgmtPrtryMsg ++ PrtryData +++ Data ++++ Document +++++ PmtForChrgsReq +++++ Dbtr +++++ FinInstnId +++++ Othr +++++ Othr +++++ SchmeNm +++++ Prtry
	52A			4!a2!a2!c[3!c]	MA	BIC of Debiting participant	AGATOMR1	Document + CshMgmtPrtryMsg ++ PrtryData +++ Data ++++ Document +++++ PmtForChrgsReq +++++ Dbtr +++++ FinInstnId +++++ BICFI
	52D			4!a2!a2!c[3!c]	MA	Pseudo-BIC of Receiver	AAAAOMRX	Document + CshMgmtPrtryMsg ++ PrtryData +++ Data ++++ Document +++++ PmtForChrgsReq +++++ Dbtr +++++ FinInstnId +++++ ClrSysMmbld +++++ Mmbld



SWIFT Status	MT Field	MT Field Name	MT Format	Buna Status	Comment	Example	XPath in camt.998
	57a	Account With Institution	/34x	O	Party Identifier		Document + CshMgmtPrtryMsg ++ PrtryData +++ Data ++++ Document +++++ PmtForChrgsReq +++++ Dbtr +++++ FinInstnId +++++ Othr +++++ Id
			--		Fixed value PTID		Document + CshMgmtPrtryMsg ++ PrtryData +++ Data ++++ Document +++++ PmtForChrgsReq +++++ Dbtr +++++ FinInstnId +++++ Othr +++++ SchmeNm +++++ Prtry
O	57A		4!a2!a2!c[3!c]	MA	BIC of account servicer	ABPSEGCA	Document + CshMgmtPrtryMsg ++ PrtryData +++ Data ++++ Document +++++ PmtForChrgsReq +++++ Cdtr +++++ FinInstnId +++++ BICFI

SWIFT Status	MT Field	MT Name	Field	MT Format	Buna Status	Comment	Example	XPath in camt.998
	57D			4!a2!a2!c[3!c]	MA	Pseudo-BIC of BIC of account servicer	BBBBKWKW	Document + CshMgmtPrtryMsg ++ PrtryData +++ Data ++++ Document +++++ PmtForChrgsReq ++++++ Cdtr +++++++ FinInstnId +++++++ ClrSysMmbld +++++++ Mmbld
M	71B	Details of Charges		/COMM/3!a13d[/12x]	M	Requesting a commission. Fixed value /COMM/, currency and amount of commission	MT: /COMM/AED1234,56/Date190929 //Please pay as soon as possible /OURC/AED4567,32/From 190929 //till 190930 MX: /COMM/AED1234,56/Date190929 //Please pay as soon as possible /OURC/AED4567,32/From 190929 //till 190930	Document + CshMgmtPrtryMsg ++ PrtryData +++ Data ++++ Document +++++ PmtForChrgsReq ++++++ DtlsOfChrgs +++++++ Information

Field :20: is a Transaction Reference Number.

Field :21: Reference of transaction which charges are requested.

Field :32B: specifies the currency and amount, i.e., charges, interest or other expenses, claimed by the Sender specified in field 57a.

Field :52a: contains identification of Debiting party.

Field :57a: contains identification of Crediting party.

Field :71B: contains:

- Either /COMM/ (requesting a commission) and amount with currency. Additional information can be added and continued on the second line.

- Or /OURC/ (post-payment claim) and amount with currency. Additional information can be added and continued on the fourth line.
- Or both /COMM/ and /OURC/.

Examples

Leg 1

Message from Sending bank to Buna

```
{1:F01ABPSEGCAAXX0001000003}{2:I191BUNNAEAXXXN}{3:{108:R1812080/191}}{4:
:20:R1812080/191
:21:NONREF
:32B:AED1234,56
:52A:AGATOMR1
:57A:ABPSEGCA
:71B:/COMM/AED1234,56/Date190929
//Please pay as soon as possible
/OURC/AED4567,32 From 190929 till
//190930
-}
```

MX Equivalent

```
<?xml version="1.0" encoding="utf-8"?>
<!-- Application header -->
<AppHdr xmlns="urn:iso:std:iso:20022:tech:xsd:head.001.001.01">
<!-- Message Sender -->
  <Fr>
    <FIId>
      <FinInstnId>
        <BICFI>AGATOMR1</BICFI>
      </FinInstnId>
    </FIId>
  </Fr>
<!-- Message Receiver -->
  <To>
    <FIId>
```

```

        <FinInstnId>
            <BICFI>BUNNAEAA</BICFI>
        </FinInstnId>
    </FIld>
</To>
<!-- Message Reference -->
    <BizMsgIdr>R1812080/191</BizMsgIdr>
<!-- Message Type -->
    <MsgDefIdr>camt.998.001.03</MsgDefIdr>
<!-- Message Creation Date/Time-->
    <CreDt>2019-09-29T10:06:00Z</CreDt>
</AppHdr>

<!-- Document -->
<Document xmlns="urn:swift:xsd:camt.998.001.03">
<!-- Example of account lockingrequest message -->
    <CshMgmtPrtryMsg>
        <MsgHdr>
<!-- Unique message identifier -->
            <MsgId>R1812080/191</MsgId>
<!-- Message creation date time -->
            <CreDtTm>2019-09-29T10:06:00+04:00</CreDtTm>
        </MsgHdr>
        <Rltd>
            <Ref>NONREF</Ref>
        </Rltd>
        <PrtryData>
<!-- Specification of the type of proprietary message -->
            <Tp>cma.reqForPmtOfCharges.001.01</Tp>
            <Data>
                <Document xmlns="urn:cma:xsd:cma.reqForPmtOfCharges.001.01">
                    <PmtForChrgsReq>
                        <Amt Ccy="AED">1234.56</Amt>
                        <Dbtr>
                            <FinInstnId>
                                <BICFI>AGATOMR1</BICFI>
                            </FinInstnId>

```

```
        </Dbtr>
        <Cdtr>
            <FinInstnId>
                <BICFI>ABPSEGCA</BICFI>
            </FinInstnId>
        </Cdtr>
        <DtlsOfChrgs>
            <Information>/COMM/AED1234,56/Date190929</Information>
            <Information>//Please pay as soon as possible</Information>
            <Information>/OURC/AED4567,32 From 190929 till</Information>
            <Information>//190930</Information>
        </DtlsOfChrgs>
    </PmtForChrgsReq>
</Document>
</Data>
</PrtryData>
</CshMgmtPrtryMsg>
</Document>
```

Leg 2

Message from Buna to Receiving bank

```
{1:F01AGATOMR1AXXX0001000003}{2:O1911734190929BUNNAEAXXX00010000031909291734N}{3:{113:0099}{108:190929000100045}}{4:
:20:R1812080/191
:21:NONREF
:32B:AED1234,56
:52A:AGATOMR1
:57A:ABPSEGCA
:71B:/COMM/AED1234,56/Date190929
//Please pay as soon as possible
/OURC/AED4567,32 From 190929 till
//190930
-}
```

MX Equivalent

```
<?xml version="1.0" encoding="utf-8"?>
<!-- Application header -->
<AppHdr xmlns="urn:iso:std:iso:20022:tech:xsd:head.001.001.01">
<!-- Message Sender -->
  <Fr>
    <FIld>
      <FinInstnId>
        <BICFI>BUNNAEAA</BICFI>
      </FinInstnId>
    </FIld>
  </Fr>
<!-- Message Receiver -->
  <To>
    <FIld>
      <FinInstnId>
        <BICFI>ABPSEGCA</BICFI>
      </FinInstnId>
    </FIld>
  </To>
<!-- Message Reference -->
  <BizMsgIdr>190929BUNNAEAAAXXX00010000045</BizMsgIdr>190929000100045
<!-- Message Type -->
  <MsgDefIdr>camt.998.001.03</MsgDefIdr>
<!-- Message Creation Date/Time-->
  <CreDt>2019-09-29T10:06:00Z</CreDt>
  <Rltd>
<!-- Message Sender -->
  <Fr>
    <FIld>
      <FinInstnId>
        <BICFI>AGATOMR1</BICFI>
      </FinInstnId>
    </FIld>
  </Fr>
<!-- Message Receiver -->
  <To>
```



```

        <FIld>
          <FinInstnId>
            <BICFI>BUNNAEAA</BICFI>
          </FinInstnId>
        </FIld>
      </To>
<!-- Message Reference -->
      <BizMsgId>190929BUNNAEAAAXXX0001000977</BizMsgId>
<!-- Message Type -->
      <MsgDefId>camt.998.001.03</MsgDefId>
<!-- Message Creation Date/Time-->
      <CreDt>2019-09-29T10:06:00Z</CreDt>
    </Rltd>
  </AppHdr>
<!-- Document -->
<Document xmlns="urn:swift:xsd:camt.998.001.03">
<!-- Example of account lockingrequest message -->
  <CshMgmtPrtryMsg>
    <MsgHdr>
<!-- Unique message identifier -->
      <MsgId>R1812080/191</MsgId>
<!-- Message creation date time -->
      <CreDtTm>2019-09-29T10:06:00+04:00</CreDtTm>
    </MsgHdr>
    <Rltd>
      <Ref>NONREF</Ref>
    </Rltd>
    <PrtryData>
<!-- Specification of the type of proprietary message -->
      <Tp>cma.reqForPmtOfCharges.001.01</Tp>
      <Data>
        <Document xmlns="urn:cma:xsd:cma.reqForPmtOfCharges.001.01"
          <PmtForChrgsReq>
            <Amt Ccy="AED" 1234.56>
              <Dbtr>
                <FinInstnId>

```

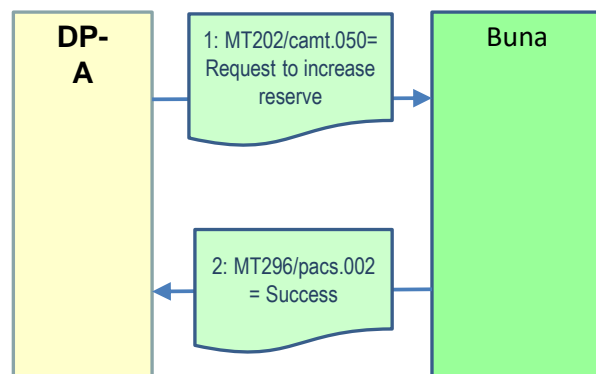
```
        <BICFI>AGATOMR1<.BICFI>
      </FinInstnId>
    </Dbtr>
    <Cdtr>
      <FinInstnId>
        <BICFI>ABPSEGCA<.BICFI>
      </FinInstnId>
    </Cdtr>
    <DtlsOfChrgs>
      <Information>/COMM/AED1234,56/Date190929</Information>
      <Information>//Please pay as soon as possible</Information>
      <Information>/OURC/AED4567,32 From 190929 till</Information>
      <Information>//190930</Information>
    </DtlsOfChrgs>
  </PmtForChrgsReq>
</Document>
</Data>
</PrtryData>
</CshMgmtPrtryMsg>
</Document>
```

11 IPS LIQUIDITY RESEVATION TRANSFERS

11.1 MESSAGE FLOW

11.1.1 Inceasing reservation: Successful flow

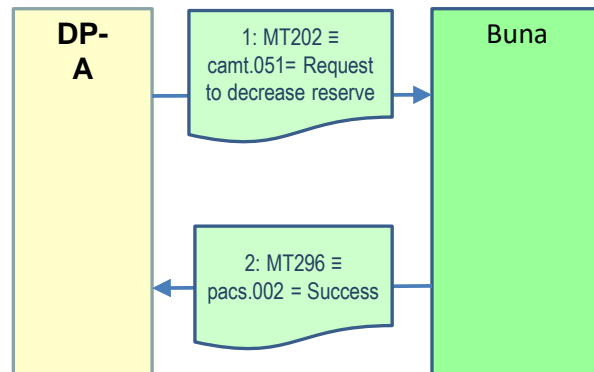
Figure 1. Successful flow.



Message #	MX type	Item
1	MT202 ≡ camt.050	11.2
2	MT296 ≡ pacs.002	3.1 "Buna Message Formats"

11.1.2 Decreasing reservation: Successful flow

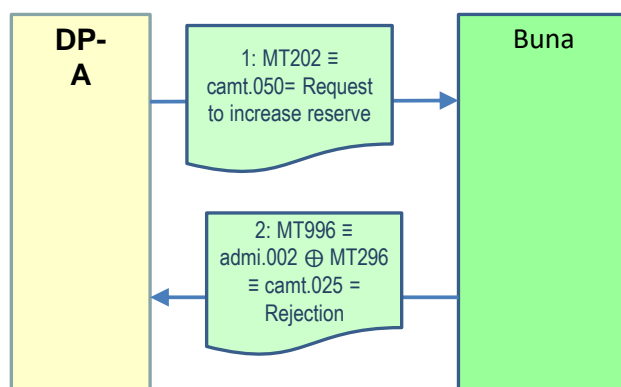
Figure 2. Successful flow.



Message #	MX type	Item
1	MT202 ≡ camt.051	11.3
2	MT296 ≡ pacs.002	3.1 "Buna Message Formats"

11.1.3 Increasing reservation: Rejection by Buna

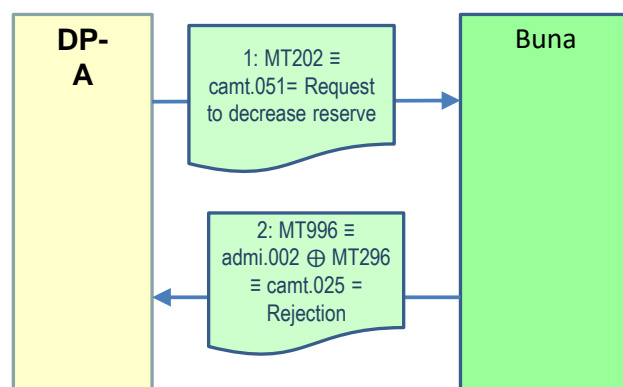
Figure 3. Rejection by Buna.



Message #	MX type	Item
1	MT202 ≡ camt.051	11.3
2	MT996 ≡ admi.002	10.3 "Buna Message Formats"
2	MT296 ≡ camt.025	10.1 "Buna Message Formats"

11.1.4 Decreasing reservation: Rejection by Buna

Figure 4. Rejection by Buna.



Message #	MX type	Item
1	MT202 ≡ camt.051	11.3
2	MT996 ≡ admi.002	10.3 "Buna Message Formats"
2	MT296 ≡ camt.025	10.1 "Buna Message Formats"

11.2 MT202 ≡ CAMT.050: REQUEST TO INCREASE RESERVE

Please refer to [1.11] for the description of the fields of message header which are not described in the table below.

SWIFT Status	MT Field	MT Field Name	MT Format	Buna Status	Comment	Example	XPath in head.001 and camt.050
			3!a15d	M	Currency and amount	MT: 190929 AED222000.50 MX: Ccy="AED" 222000.50	Document + LqdyCdtTrf ++ LqdyCdtTrf +++ StlmDt
O	52a	Ordering Institution	[/34x]	O	Account of DP to be debited	MT: /SETL14000990 MX: SETL14000990	Document + LqdyCdtTrf ++ LqdyCdtTrf +++ DbtrAcct ++++ Id +++++ Othr +++++ Id
	52A		4!a2!a2!c[3!c]	MA	BIC of DP	ADPSEGCA	Document + LqdyCdtTrf ++ LqdyCdtTrf ++++ Dbtr +++++ FinInstnId +++++ BICFI
	52D		4!a2!a2!c[3!c]	MA	Pseudo-BIC DP	AAAAOMRU	Document + LqdyCdtTrf ++ LqdyCdtTrf +++ Dbtr ++++ FinInstnId +++++ ClrSysMmbld +++++ Mmbld
M	58a	Beneficiary institution	/34x	C	Account of DP to be credited. Account is mandatory in case Type of reserve credited at the account is in field 72.	MT: /RSRV08000990 MX: RSRV08000990	Document + LqdyCdtTrf ++ LqdyCdtTrf ++++ CdrAcct ++++ Id +++++ Othr +++++ Id

SWIFT Status	MT Field	MT Field Name	MT Format	Buna Status	Comment	Example	XPath in head.001 and camt.050
	58A		4!a2!a2!c[3!c]	MA	BIC of DP	BDPSTNTT	Document + LqdyCdtTrf ++ LqdyCdtTrf +++ Cdtr ++++ FinInstnId +++++ BICFI
	58D		4!a2!a2!c[3!c]	MA	Pseudo-BIC DP	BDPNTNTT	Document + LqdyCdtTrf ++ LqdyCdtTrf +++ Cdtr ++++ FinInstnId +++++ ClrSysMmbld +++++ Mmbld
O	72		/3!c/25x	M	Local instrument. Identification to convert to camt.050	MT: /LIN/RTGS-LCTR MX: RTGS-LCTR	--
			/8!a/12x	O	Type of reserve credited at the account (IPLIMIT)	MT: /RESCREDI/IPLIMIT MX: IPLIMIT	Document + LqdyCdtTrf ++ LqdyCdtTrf +++ CdtrAcct ++++ Tp +++++ Prtry
			/3!a/	O	Party Identifier of Sending DP: keyword FHI with slash after keyword in MT message.	MT: /FHI/CBAUAEAA MX: FHI	Document + LqdyCdtTrf ++ LqdyCdtTrf +++ Dbtr ++++ FinInstnId +++++ Othr +++++ SchmeNm +++++ Prtry



SWIFT Status	MT Field	MT Field Name	MT Format	Buna Status	Comment	Example	XPath in head.001 and camt.050
			4!a2!a2!c[3!c]	OC	Party Identifier of Sending DP: FHI of Direct participant involved in payment exchange.	MT: /FHI/CBAUAEEA MX: CBAUAEEA	Document + LqdyCdtTrf ++ LqdyCdtTrf +++ Dbtr ++++ FinInstnId +++++ Othr ++++++ Id
--	--	--	--	M	Time of message creation	2019-09-29T17:10:28Z	AppHdr + CreDt
--	--	--	--	M	Time of message creation	2019-09-29T17:10:28Z	Document + LqdyCdtTrf ++ MsgHdr +++ CreDtTm

Example

MT202: Crediting settlement account reserve

```
{1:F01ADPSEGCAXXXX}{2:I202BUNNAEAXXXN}{3:{113:0020}{108:ADPSEGCA202003}{111:001}{121:eda44485-9f17-451c-afc0-4456d7b7e6da}}{4:
:20:BDPSTNTT202003
:21:NONREF
:32A:190929AED222000,50
:52A:/SETL14000990
ADPSEGCA
:58A:/SETL14000990
ADPSEGCA
:72:/LIN/RTGS-LCTR
/FHI/CBAUAEEA
/RESCREDI/IPLIMIT
-}
```

MX equivalent

```
<?xml version="1.0" encoding="UTF-8"?>
<!-- Application header -->
<AppHdr xmlns="urn:iso:std:iso:20022:tech:xsd:head.001.001.01">
<!-- Message Sender -->
  <Fr>
    <FIld>
      <FinInstnId>
        <BICFI>ADPSEGCA</BICFI>
      </FinInstnId>
    </FIld>
  </Fr>
<!-- Message Receiver -->
  <To>
    <FIld>
      <FinInstnId>
        <BICFI>BUNNAEAA</BICFI>
      </FinInstnId>
    </FIld>
  </To>
<!-- Message Reference -->
  <BizMsgId>ADPSEGCA202003</BizMsgId>
<!-- Message Type -->
  <MsgDefId>camt.050.001.05</MsgDefId>
<!-- Message Creation Date/Time-->
  <CreDt>2019-09-29T10:01:20Z</CreDt>
<!--Business Priority -->
  <Prty>0020</Prty>
</AppHdr>
<!-- Document -->
<Document xmlns="urn:iso:std:iso:20022:tech:xsd:camt.050.001.05">
  <LqdtYCdTrf>
    <MsgHdr>
<!--Unique message refereAce as generated by sending party.-->
      <MsgId>ADPSEGCA202003</MsgId>
    </MsgHdr>
```

```
<LqdyCdtTrf>
  <LqdyTrfld>
```

<!--End-to-End reference. Not verified for uniqueness. Equivalent of field :21: NOTPROVIDED in case NONREF-->

```
  <EndToEndId>NOTPROVIDED</EndToEndId>
```

<!-- Unique transaction reference as generated by sending party. The same as Msgld in this message version -->

```
  <TxId>ADPSEGCA202003</TxId>
```

<!--UETR -->

```
  <UETR>eda44485-9f17-451c-afc0-4456d7b7e6da</UETR>
```

```
</LqdyTrfld>
```

<!-- Creditor. Participant in Field 88a of MT202. BICFI for SWIFT-registered participants. ClrSysMmbld/Mmbld for pseudo-BIC codes (non-swift registered). -->

```
<Ctr>
```

```
  <FinInstnId>
```

```
    <BICFI>ADPSEGCA</BICFI>
```

```
  </FinInstnId>
```

```
</Ctr>
```

<!--Creditor account. -->

```
<CtrAcct>
```

```
  <Id>
```

```
    <Othr>
```

```
      <Id>SETL14000990</Id>
```

```
    </Othr>
```

```
  </Id>
```

```
  <Tp>
```

```
    <Prtry>IPLIMIT</Prtry>
```

```
  </Tp>
```

```
</CtrAcct>
```

<!--Payment amount and currency code -->

```
<TrfdAmt>
```

```
  <AmtWthCcy Ccy="AED">222000.50</AmtWthCcy>
```

```
</TrfdAmt>
```

<!--Debtor. Participant in Field 52a of MT202. BICFI for SWIFT-registered participants. ClrSysMmbld/Mmbld for pseudo-BIC codes (non-swift registered)-->

```
<Dbtr>
```

```
  <FinInstnId>
```

```
    <BICFI>ADPSEGCA</BICFI>
```

```

        <Othr>
          <Id>CBAUAEEAA</Id>
          <SchmeNm>
            <Prtry>FHI</Prtry>
          </SchmeNm>
        </Othr>
      </FinInstnId>
    </Dbtr>
  <!--Debtor account. -->
  <DbtrAcct>
    <Id>
      <Othr>
        <Id>SETL14000990</Id>
      </Othr>
    </Id>
  </DbtrAcct>
  <!--Settlement date -->
  <SttlmDt>2019-09-29</SttlmDt>
</LqdyCdtTrf>
</LqdyCdtTrf>
</Document>

```

11.3 MT202 ≡ CAMT.051: REQUEST TO DECREASE RESERVE

Please refer to [1.11] for the description of the fields of message header which are not described in the table below.

Format of MT202 ≡ camt.051: General Financial Institution transfer.

SWIFT Status	MT Field	MT Field Name	MT Format	Buna Status	Comment	Example	XPath in head.001 and camt.051
M	Block 2	Message type	3!n	M	MT: SWIFT message type. MX: MX message type	MT: 202 MX: pacs.009.001.08	AppHdr + MsgDefldr AND Document

SWIFT Status	MT Field	MT Field Name	MT Format	Buna Status	Comment	Example	XPath in head.001 and camt.051
M	121 in Block 3	UETR	36!x	M	MX: field is mandatory.	eda44485-9f17-451c-afc0-4456d7b7e6da	Document + LqdyDbtTrf ++ LqdyDbtTrf ++++ LqdyTrfld ++++ UETR
O	113 in Block 3	Priority	4!n	M	Settlement priority of final settlement	0005	AppHdr + Prty
M	20	Transaction Reference Number	16x	M	Unique sequence of symbols assigned by Buna	BUNN20201	Document + LqdyDbtTrf ++ MsgHdr +++ Msgld
M	21	Related reference	16x	M	MX: NOTPROVIDED in case NONREF in MT.	MT: NONREF MX: NOTPROVIDED	Document + LqdyDbtTrf ++ LqdyDbtTrf +++ LqdyTrfld ++++ EndToEndId
M	32A	Value Date, Currency Code, Amount	6!n	M	Value date	MT: 190929AED222000,50 MX: 2019-09-29	Document + LqdyDbtTrf ++ LqdyDbtTrf +++ TrfdAmt ++++ AmtWthCcy
			3!a15d	M	Currency and amount	MT: 190929AED222000.50 MX: Ccy="AED" 222000.50	Document + LqdyDbtTrf ++ LqdyDbtTrf +++ StlmDt

SWIFT Status	MT Field	MT Field Name	MT Format	Buna Status	Comment	Example	XPath in head.001 and camt.051
O	52a	Ordering Institution	[/34x]	M	Account of DP to be debited. Account is mandatory in case Type of reserve debite at the account is in field 72.	MT: /RSRV08000990 MX: RSRV08000990	Document + LqdyDbtTrf ++ LqdyDbtTrf +++ DbtrAcct ++++ Id +++++ Othr ++++++ Id
	52A		4!a2!a2!c[3!c]	MA	BIC of DP	ADPSEGCA	Document + LqdyDbtTrf ++ LqdyDbtTrf ++++ Dbtr +++++ FinInstnId ++++++ BICFI
	52D		4!a2!a2!c[3!c]	MA	Pseudo-BIC of DP	AAAAOMRU	Document + LqdyDbtTrf ++ LqdyDbtTrf +++ Dbtr ++++ FinInstnId +++++ ClrSysMmbld ++++++ Mmbld
M	58a	Beneficiary institution	/34x	M	Account of DP to be credited	MT: /SETL14000990 MX: SETL14000990	Document + LqdyDbtTrf ++ LqdyDbtTrf ++++ CdtrAcct ++++ Id +++++ Othr ++++++ Id

SWIFT Status	MT Field	MT Field Name	MT Format	Buna Status	Comment	Example	XPath in head.001 and camt.051
	58A		4!a2!a2!c[3!c]	MA	BIC of DP	ADPSEGCA	Document + LqdyDbtTrf ++ LqdyDbtTrf +++ Cdr ++++ FinInstnId +++++ BICFI
	58D		4!a2!a2!c[3!c]	MA	Pseudo-BIC of DP	AAAAOMRU	Document + LqdyDbtTrf ++ LqdyDbtTrf +++ Cdr ++++ FinInstnId +++++ ClrSysMmbld +++++ Mmbld
O	72		/3!c/25x	M	Local instrument. Identification to convert to camt.050	MT: /LIN/RTGS-LDTR MX: RTGS-LDTR	--
			/8!a/12x	O	Type of reserve debited at the account (IPLIMIT)	MT: /RESDEBIT/IPLIMIT MX: IPLIMIT	Document + LqdyDbtTrf ++ LqdyDbtTrf +++ DbtrAcct ++++ Tp +++++ Prtry
			/3!a/	O	Party Identifier of Sending DP: keyword FHI with slash after keyword in MT message.	MT: /FHI/CBAUAEAA MX: FHI	Document + LqdyDbtTrf ++ LqdyDbtTrf +++ Dbtr ++++ FinInstnId +++++ Othr +++++ SchmeNm +++++ Prtry



SWIFT Status	MT Field	MT Field Name	MT Format	Buna Status	Comment	Example	XPath in head.001 and camt.051
			4!a2!a2!c[3!c]	OC	Party Identifier of Sending DP: FHI of Direct participant involved in payment exchange.	MT: /FHI/CBAUAEAA MX: CBAUAEAA	Document + LqdyDbtTrf ++ LqdyDbtTrf +++ Dbtr ++++ FinInstnld +++++ Othr ++++++ Id
--	--	--	--	M	Time of message creation	2019-09-29T17:10:28Z	AppHdr + CreDt
--	--	--	--	M	Time of message creation	2019-09-29T17:10:28Z	Document + LqdyDbtTrf ++ MsgHdr +++ CreDtTm

Example

MT202: Debiting settlement account reserve

```
{1:F01ADPSEGCAXXXX}{2:I202BUNNAEAXXXN}{3:{113:0020}{108:ADPSEGCA202003}{111:001}{121:eda44485-9f17-451c-afc0-4456d7b7e6da}}{4:
:20:BDPSTNTT202003
:21:NONREF
:32A:190929AED222000,50
:52A:/SETL14000990
ADPSEGCA
:58A:/SETL14000990
ADPSEGCA
:72:/LIN/RTGS-LDTR
/RESDEBIT/IPLIMIT
/FHI/CBAUAEAA
-}
```

MX equivalent

```
<?xml version="1.0" encoding="UTF-8"?>
<!-- Application header -->
<AppHdr xmlns="urn:iso:std:iso:20022:tech:xsd:head.001.001.01">
<!-- Message Sender -->
  <Fr>
    <FIld>
      <FinInstnId>
        <BICFI>ADPSEGCA</BICFI>
      </FinInstnId>
    </FIld>
  </Fr>
<!-- Message Receiver -->
  <To>
    <FIld>
      <FinInstnId>
        <BICFI>BUNNAEAA</BICFI>
      </FinInstnId>
    </FIld>
  </To>
<!-- Message Reference -->
  <BizMsgId>ADPSEGCA202003</BizMsgId>
<!-- Message Type -->
  <MsgDefId>camt.051.001.05</MsgDefId>
<!-- Message Creation Date/Time-->
  <CreDt>2019-09-29T10:01:20Z</CreDt>
<!-- Business Priority -->
  <Prty>0020</Prty>
</AppHdr>
<!-- Document -->
<Document xmlns="urn:iso:std:iso:20022:tech:xsd:camt.051.001.05">
  <LqdtYDbtTrf>
    <MsgHdr>
<!-- Unique message refereAce as generated by sending party.-->
      <MsgId>ADPSEGCA202003</MsgId>
    </MsgHdr>
```

```
<LqdyDbtTrf>  
<LqdyTrfld>
```

```
<!--End-to-End reference. Not verified for uniqueness. Equivalent of field :21: NOTPROVIDED in case NONREF-->
```

```
<EndToEndId>NOTPROVIDED</EndToEndId>
```

```
<!-- Unique transaction reference as generated by sending party. The same as MsgId in this message version -->
```

```
<TxId>ADPSEGCA202003</TxId>
```

```
<!--UETR -->
```

```
<UETR>eda44485-9f17-451c-afc0-4456d7b7e6da</UETR>
```

```
</LqdyTrfld>
```

```
<!-- Creditor. Participant in Field 88a of MT202. BICFI for SWIFT-registered participants. ClrSysMmbld/Mmbld for pseudo-BIC codes (non-swift registered). -->
```

```
<Cdtr>
```

```
<FinInstnId>
```

```
<BICFI>ADPSEGCA</BICFI>
```

```
</FinInstnId>
```

```
</Cdtr>
```

```
<!--Creditor account. -->
```

```
<CdtrAcct>
```

```
<Id>
```

```
<Othr>
```

```
<Id>SETL14000990</Id>
```

```
</Othr>
```

```
</Id>
```

```
</CdtrAcct>
```

```
<!--Payment amount and currency code -->
```

```
<TrfdAmt>
```

```
<AmtWthCcy Ccy="AED">222000.50</AmtWthCcy>
```

```
</TrfdAmt>
```

```
<!--Debtor. Participant in Field 52a of MT202. BICFI for SWIFT-registered participants. ClrSysMmbld/Mmbld for pseudo-BIC codes (non-swift registered)-->
```

```
<Dbtr>
```

```
<FinInstnId>
```

```
<BICFI>ADPSEGCA</BICFI>
```

```
<Othr>
```

```
<Id>CBAUAEAA</Id>
```

```
<SchmeNm>
```

```

                <Prtry>FHI</Prtry>
            </SchmeNm>
        </Othr>
    </FinInstnId>
</Dbtr>
<!--Debtor account. -->
    <DbtrAcct>
        <Id>
            <Othr>
                <Id>SETL14000990</Id>
            </Othr>
        </Id>
        <Tp>
            <Prtry>IPLIMIT</Prtry>
        </Tp>
    </DbtrAcct>
<!--Settlement date -->
    <StlmDt>2019-09-29</StlmDt>
</LqdyDbtTrf>
</LqdyDbtTrf>
</Document>

```

11.4 MT986/STAT ≡ CAMT.052/TPND: AMOUNT OF ACCOUNT RESERVES

camt.052/TPND specifies amounts of reserve(s) of Buna participant account. camt.052/TPND is sent by Buna automatically.

Format of MT986/STAT ≡ camt.052/TPND: Amount of account reserves.

SWIFT Status	MT Tag	MT Field Name	MT Format	Buna Status	Comment	Example	XPath in head.001 and camt.052
M	Block 2	Messae type	3!n	M	MT:SWIFT message type. MX: MX message type	MT: 986 MX: camt.052.001.08	AppHdr + MsgDefldr Document AND



SWIFT Status	MT Tag	MT Field Name	MT Format	Buna Status	Comment	Example	XPath in head.001 and camt.052
M	20	Transaction Reference Number	16x	M	Unique reference assigned by the Sender of the text message	707281611261703	Document + BkToCstmrAcctRpt ++ GrpHdr +++ MsgId AND Document + BkToCstmrAcctRpt ++ Rpt +++ Id
M	21	Related reference	16x	M	NONREF fixed value	MT: NONREF	--
O	59	Enquired Party	/34x	M	Account number	/908000000005517047	Document + BkToCstmrAcctRpt ++ Rpt +++ Acct ++++ Id +++++ Othr ++++++ Id
			4!a2!a2!c[3! c]	MA	Account owner	BBBBKWKW	Document + BkToCstmrAcctRpt ++ Rpt +++ Acct ++++ Ownr +++++ Id ++++++ Orgld +++++++ AnyBIC

SWIFT Status	MT Tag	MT Field Name	MT Format	Buna Status	Comment	Example	XPath in head.001 and camt.052
			35x	MA	Pseudo-BIC of account owner	AAAAKWKW	Document + BkToCstmrAcctRpt ++ Rpt +++ Acct ++++ Ownr +++++ Id ++++++ Orgld +++++++ Othr +++++++ Id
			35x	M	PCOD fixed value	MX: PCOD	Document + BkToCstmrAcctRpt ++ Rpt +++ Acct ++++ Ownr +++++ Id ++++++ Orgld +++++++ Othr +++++++ SchmeNm +++++++ Prtry
M	79	Narrative	/4!a/	M	/STAT/ keyword	MT: STAT/1909290902+0400 MX: STAT	Document + BkToCstmrAcctRpt ++ GrpHdr +++ AddtlInf
			/6!n4!n1!x4! n	O	Time of message status	MT: STAT/1909290902+0400 MX: 2019-09-29T09:02:00+04:00	Document + BkToCstmrAcctRpt ++ GrpHdr +++ CreDtTm
			2!a	M	Account status after /LCKD/ keyword	MT: /LCKD/ DA MX: DA	Document + BkToCstmrAcctRpt ++ Rpt +++ AddtlRptInf

SWIFT Status	MT Tag	MT Field Name	MT Format	Buna Status	Comment	Example	XPath in head.001 and camt.052
			/4!a/	M	Account balance type	MT: /CLBD/C595771,00 MX: CLBD	Document + BkToCstmrAcctRpt ++ Rpt +++ Bal ++++ Tp +++++ CdOrPrtry +++++ Cd
			1!a	M	Credit-Debit Indicator	MT: /CLBD/CTNT595771,00 MX: C	Document + BkToCstmrAcctRpt ++ Rpt +++ Bal ++++ CdtDbtInd
			15d	M	Balance amount	MT: /CLBD/CTNT595771,00 MX: Ccy='TNT' 595771.00	Document + BkToCstmrAcctRpt ++ Rpt +++ Bal ++++ Amt
→ Start of repetitive sequence							
		List of reserves set	/1!a/10a/	O	Reserve name after /L/ keyword	MT: /L/IPLIMIT/TNT222222,50 MX: IPLIMIT	Document +BkToCstmrAcctRpt ++ Rpt +++ Bal ++++ Tp +++++ SubTp +++++ Prtry
			15n	C	Reserved amount	MT: /L/IPLIMIT/TNT222222,50 MX: Ccy='TNT' 222222,50	Document + BkToCstmrAcctRpt ++ Rpt +++ Bal ++++ Amt

SWIFT Status	MT Tag	MT Field Name	MT Format	Buna Status	Comment	Example	XPath in head.001 and camt.052
				--	End of repetitive sequence		

Example

MT986: Amount of account reserves

```
{1:F01BBBBKWKWXXXX}{2:O986BUNAEAA XXXXN}{3:{108:1909291611261703}}{4:
:20:707281611261703
:21:NONREF
:59:/908000000005517047
BBBBKWKW
:79:STAT/1909291506+0400
DA
/CLBD/CTNT595771,00
/L/IPLIMIT/TNT89943,
-}
```

MX equivalent

```
<?xml version="1.0" encoding="utf-8"?>
<!-- Application header -->
<AppHdr xmlns="urn:iso:std:iso:20022:tech:xsd:head.001.001.01">
<!-- Message Sender -->
  <Fr>
    <FIld>
      <FinInstnId>
        <BICFI>BUNNAEAA</BICFI>
      </FinInstnId>
    </FIld>
  </Fr>
<!-- Message Receiver -->
  <To>
```



```

    <FIld>
      <FinInstnId>
        <BICFI>BBBBKWKW</BICFI>
      </FinInstnId>
    </FIld>
  </To>
<!-- Message Reference -->
  <BizMsgId>190929BUNNAEAAXXX1611261703</BizMsgId>
<!-- Message Type -->
  <MsgDefId>camt.052.001.08</MsgDefId>
<!-- Message Creation Date/Time-->
  <CreDt>2019-09-29T10:06:01Z</CreDt>
</AppHdr>

<!-- Document -->
<Document xmlns="urn:iso:std:iso:20022:tech:xsd:camt.052.001.08">
  <BkToCstmrAcctRpt>
    <GrpHdr>
      <!-- Unique Message ID generated by the System -->
      <MsgId>707281611261703</MsgId>
      <!-- Message creation date/time -->
      <CreDtTm>2019-09-29T10:06:01+04:00</CreDtTm>
<!-- TPND for account status -->
      <AddtlInf>TPND</AddtlInf>
    </GrpHdr>
    <Rpt>
<!-- Unique Report ID generated by the System -->
      <Id>707281611261702</Id>
      <CreDtTm>2019-09-29T09:02:00+04:00</CreDtTm>

      <Acct>
        <Id>
          <Othr>
            <Id>908000000005517047</Id>
          </Othr>
        </Id>
        <Ownr>

```

```

        <Id>
          <OrgId>
            <AnyBIC>BBBBKWKW</AnyBIC>
          </OrgId>
        </Id>
      </Ownr>
    </Acct>

    <Bal>
      <Tp>
        <CdOrPrtry>

```

<!-- Current account balance-->

```

          <Cd>CLBD</Cd>
        </CdOrPrtry>
      </Tp>

      <Amt Ccy="TND">595771.00</Amt>
      <CdtDbtInd>CRDT</CdtDbtInd>
      <Dt><Dt>2019-09-29</Dt></Dt>
    </Bal>

    <Bal>
      <Tp>
        <CdOrPrtry>
          <Cd>CLBD</Cd>
        </CdOrPrtry>

```

<!-- Current reserve-->

<SubTp>

<!-- Name of reserve-->

<Prtry>IPLIMIT</Prtry>

</SubTp>

</Tp>

<!-- Amount of reserve-->

<Amt Ccy="TND">89943.</Amt>

<!-- CRDT - credit balance, DBIT - debit balance -->

<CdtDbtInd>CRDT</CdtDbtInd>

<Dt>



<!-- Date/time of the balance -->

<DtTm>2019-09-29T16:45:00</DtTm>

</Dt>

</Bal>

<!-- Account status AA - not locked, DA - locked for debit, AC - locked for credit, DC - locked both for debit and credit -->

<AddtlRptInf>LCKD/AA</AddtlRptInf>

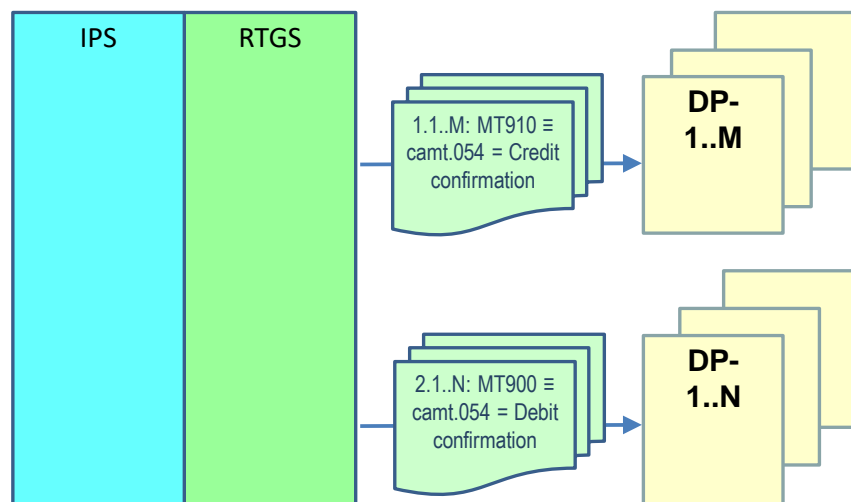
</Rpt>

</BkToCstmrAcctRpt>

</Document>

12IPS NET TRANSACTION

12.1 MESSAGE FLOW



Message #	MX type	Item
1.1..M	MT910 ≡ camt.054	12.3.1
2.1..N	MT900 ≡ camt.054	12.2.1

12.2 MT900 ≡ CAMT.054: DEBIT CONFIRMATION

camt.054 is generated in response to settled IPS Net transaction and delivered to the DP which account is debited.

camt.054 can be translated to MT900 message.

Please refer to [1.11] for the description of the fields of message header which are not described in the table below.

Status	MT Tag	MT Field Name	MT Format	Buna Status	Comment	Example	XPath in head.001 and camt.054
M	25	Account Identification	/34x	M	Code of account which is debited	ADPSEGCASA	Document + BkToCstmrDbtCdtNtfctn ++ Ntfctn +++ Acct ++++ Id +++++ Othr +++++ Id
O	13D	Date/ Time Indication	6!n4!n1!x4!n	M	Time of message creation	MT: 1909291040+0400 MX: 2019-09-29T10:40:50+04:00	Document + BkToCstmrDbtCdtNtfctn ++ GrpHdr +++ CreDtTm
M	32A	Value Date, Currency Code, Amount	6!n	M	Value date	MT: 190929AED222000,50 MX: 2019-09-29	Document + BkToCstmrDbtCdtNtfctn ++ Ntfctn +++ Ntry ++++ ValDt
			3!a15d		Currency and amount	MT: 190929AED222000,50 MX: Ccy='AED' 222000.50	Document + BkToCstmrDbtCdtNtfctn ++ Ntfctn +++ Ntry ++++ Amt



Status	MT Tag	MT Field Name	MT Format	Buna Status	Comment	Example	XPath in head.001 and camt.054
O	52A	Ordering Institution	4!a2!a2!c [3!c]	M	BIC of participant who is initiated the transaction in the system: Buna in this particular case	BUNNAEAA	Document + BkToCstmrDbtCdtNtfctn ++ Ntfctn +++ Ntry ++++ NtryDtls +++++ TxDtls ++++++ RltdAgts +++++++ InstgAgt +++++++ FinInstnld +++++++ BICFI
O	72	Sender to Receiver Information	/3!c/3!n	M	Transaction type code.	MT: /TTC/089 MX: 089	Document + BkToCstmrDbtCdtNtfctn ++ Ntfctn +++ Ntry ++++ NtryDtls +++++ TxDtls ++++++ Purp +++++++ Prtry
			/3!c/25x	M	Local instrument	MT: /LIN/SCYN-NIPS-CONV MX: SCYN-NIPS-CONV	Document + BkToCstmrDbtCdtNtfctn ++ Ntfctn +++ Ntry ++++ NtryDtls +++++ TxDtls ++++++ LclInstrm +++++++ Prtry

Status	MT Tag	MT Field Name	MT Format	Buna Status	Comment	Example	XPath in head.001 and camt.054
			/8!a/12x	C	In case debited account reserve: type of reserve debited at the account (IPLIMIT).	MT: /RESDEBIT/IPLIMIT MX: IPLIMIT	Document + BkToCstmrDbtCdtNtfctn ++ Ntfctn +++ Acct ++++ Tp +++++ Prtry
			/3!c/	M	Keyword	MT: /SSN/1549	--
			15n	M	IPS settlement session number	MT: /SSN/1549 MX: 1549	Document + BkToCstmrDbtCdtNtfctn ++ Ntfctn +++ Ntry ++++ AcctSvcrRef
			/U/32!c	O	UETR (without dashes in MT)	MT: 6bc05483979b4e0eb7b8c4c13cabbf9d MX: 6bc05483-979b-4e0e-b7b8-c4c13cabbf9d	Document + BkToCstmrDbtCdtNtfctn ++ Ntfctn +++ Ntry ++++ NtryDtls +++++ TxDtls ++++++ Refs +++++++ UETR

12.2.1 EXAMPLE: CONFIRMATION OF ACCOUNT RESERVE DEBITING

MT900: Debit confirmation

```
{1:F01ADPSEGCAXXXX}{2:O900BUNNAEAXXXXN}{3:{108:1909290001000054}}{4:
:20:928633/900
:21:12312123123
:25:ADPSEGCASA
:13D:1909291301+0400
:32A:190929AED222000,50
```



```
:52A:BUNNAEAA  
:72:/TTC/089  
/LIN/SCYN-NIPS-CONV  
/RESDEBIT/IPLIMIT  
/SSN/1549  
/U/84c990a8c11f4588abc7ee1bc5b13b27  
-}
```

camt.054: MX equivalent of MT900

```
<?xml version="1.0" encoding="UTF-8"?>  
<!-- Application header -->  
<AppHdr xmlns="urn:iso:std:iso:20022:tech:xsd:head.001.001.01">  
<!-- Message Sender:-Buna-->  
  <Fr>  
    <FIld>  
      <FinInstnId>  
        <BICFI>BUNNAEAA</BICFI>  
      </FinInstnId>  
    </FIld>  
  </Fr>  
<!-- Message Receiver : DP-->  
  <To>  
    <FIld>  
      <FinInstnId>  
        <BICFI>ADPSEGCA</BICFI>  
      </FinInstnId>  
    </FIld>  
  </To>  
<!-- Message Reference -->  
  <BizMsgldr>190929BUNNAEAAXXX0001000054</BizMsgldr>  
<!-- Message Type -->  
  <MsgDefldr>camt.054.001.08</MsgDefldr>  
<!-- Message Creation Date/Time-->  
  <CreDt>2019-09-29T09:03:01Z</CreDt>  
</AppHdr>
```

```
<!-- Document -->
<Document xmlns="urn:iso:std:iso:20022:tech:xsd:camt.054.001.08">
  <BkToCstmrDbtCdtNtfctn>
    <GrpHdr>
      <!-- Unique message identifier generated by Buna -->
      <MsgId>928633/900</MsgId>
      <!-- Message creation date time -->
      <CreDtTm>2019-09-29T10:40:50+04:00</CreDtTm>
    </GrpHdr>
    <Ntfctn>
      <!-- Unique notification identifier generated by Buna -->
      <Id>928633/900</Id>
      <!-- Debited account -->
      <Acct>
        <Id>
          <Othr>
            <Id>ADPSEGCASA</Id>
          </Othr>
        </Id>
        <!-- Reserve type -->
        <Tp>
          <Prtry>IPLIMIT</Prtry>
        </Tp>
        <!-- Account owner -->
        <Ownr>
          <Id>
            <OrgId>
              <AnyBIC>ADPSEGCA</AnyBIC>
            </OrgId>
          </Id>
        </Ownr>
      </Acct>
      <Ntry>
        <!-- Debited or credited amount -->
        <Amt Ccy="AED">222000.50</Amt>
        <!-- Flag debited/credit -->
        <CdtDbtInd>DBIT</CdtDbtInd>
      </Ntry>
    </Ntfctn>
  </BkToCstmrDbtCdtNtfctn>
</Document>
```

```

<!-- Fixed value -->
  <Sts><Cd>BOOK</Cd></Sts>
<!-- Value date of the payment-->
  <ValDt>
    <Dt>2019-09-29</Dt>
  </ValDt>
<!-- IPS session Id-->
  <AcctSvcrRef>1549</AcctSvcrRef>
<!-- Message type initiated the transaction -->
  <BkTxCd>
    <Prtry>
      <Cd>pacs.009.001.08</Cd>
    </Prtry>
  </BkTxCd>
<!-- Set of reference of original payment-->
  <NtryDtls>
    <TxDtls>
      <Refs>
<!-- Reference of the transfer. -->
        <Msgld>IPS324234234/1</Msgld>
<!-- Reference of the transfer. -->
        <Instrld>IPS324234234/1</Instrld>
<!--End-to-End reference. The same reference for the net transactions in IPS session -->
        <EndToEndId>IPS324234234</EndToEndId>
<!--Unique transaction identifier. -->
        <UETR>84c990a8-c11f-4588-abc7-ee1bc5b13b27</UETR>
<!--Unique transaction identifier. -->
        <TxId>IPS324234234/1</TxId>
      </Refs>
<!--Payment amount and currency code -->
      <Amt Ccy="AED">22200.50</Amt>
    </NtryDtls>
  </TxDtls>
<!--Debtor. BICFI for SWIFT-registered participants. ClrSysMmbld/Mmbld – for pseudo-BIC codes (non-swift registered)-->
  <Dbtr>
    <Agt>

```

```
        <FinInstnId>
          <BICFI>ADPSEGCA</BICFI>
        </FinInstnId>
      </Agt>
    </Dbtr>
```

<!-- Creditor.. BICFI for SWIFT-registered participants. ClrSysMmbld/Mmbld – for pseudo-BIC codes (non-swift registered)-->

```
    <Cdtr>
      <Agt>
        <FinInstnId>
          <BICFI>BUNNAEAA</BICFI>
        </FinInstnId>
      </Agt>
    </Cdtr>
  </RltdPties>

  <RltdAgts>
```

<!-- Instructing agent. Participant initiated transaction in the system. Buna in this particular case-->

```
    <InstgAgt>
      <FinInstnId>
        <BICFI>BUNNAEAA</BICFI>
      </FinInstnId>
    </InstgAgt>
```

<!-- Instructed agent -->

```
    <InstdAgt>
      <FinInstnId>
        <BICFI>BDPSTNTT</BICFI>
      </FinInstnId>
    </InstdAgt>
```

<!-- Debited participant -->

```
    <Prtry>
      <Tp>DPAR</Tp>
      <Agt>
        <FinInstnId>
          <BICFI>ADPSEGCA</BICFI>
        </FinInstnId>
      </Agt>
```

```

        </Prtry>
<!-- Credited participant -->
        <Prtry>
            <Tp>CPAR</Tp>
            <Agt>
                <FinInstnId>
                    <BICFI>BDPSTNTT</BICFI>
                </FinInstnId>
            </Agt>
        </Prtry>
    </RltdAgts>
<!-- Local instrument -->
    <LclInstrm>
        <Prtry>SCYN-NIPS-CONV</Prtry>
    </LclInstrm>
<!-- Transaction type code -->
        <Purp>
            <Prtry>089</Prtry>
        </Purp>
        </TxDtls>
    </NtryDtls>
</Ntry>
</Ntfctn>
</BkToCstmrDbtCdtNtfctn>
</Document>

```

12.3 MT910 ≡ CAMT.054: CREDIT CONFIRMATION

camt.054 is generated in response to settled IPS Net transaction and delivered to the DP which account is credited.

camt.054 can be translated to MT910 message.

Please refer to [1.11] for the description of the fields of message header which are not described in the table below.

Format of MT900 ≡ camt.054 Credit confirmation.

Sta-tus	MT Tag	MT Field Name	MT Format	Buna Status	Comment	Example	XPath in head.001 and camt.054
M	Block 2	Message type	3!n	M	MT: SWIFT message type. MX: MX message type	MT: 900 MX: camt.054.001.08	AppHdr + MsgDefldr Document AND
--	--	--	--	--	MX: Crediting flag means translation to MT910.	MX: CRDT	Document + BkToCstmrDbtCdtNtfctn ++ Ntfctn +++ Ntry ++++ CdtDbtInd
M	20	Transaction Reference Number	16x	M	Unique reference assigned by the system	BUNN9908799	Document + BkToCstmrDbtCdtNtfctn ++ GrpHdr +++ Msgld
M	21	Related Reference	16x	M	Common reference for the set of IPS transactions settled simultaneously	MT: 12312123123 MX: 12312123123	Document + BkToCstmrDbtCdtNtfctn ++ Ntfctn +++ Ntry ++++ NtryDtls +++++ TxDtls ++++++ Refs +++++++ EndToEndId



Status	MT Tag	MT Field Name	MT Format	Buna Status	Comment	Example	XPath in head.001 and camt.054
M	25	Account Identification	/34x	M	Code of account which is debited	BDPSTNTTSA	Document + BkToCstmrDbtCdtNtfctn ++ Ntfctn +++ Acct ++++ Id +++++ Othr +++++ Id
O	13D	Date/ Time Indication	6!n4!n1!x4!n	M	Time of message creation	MT: 1909291040+0400 MX: 2019-09-29T10:40:50+04:00	Document + BkToCstmrDbtCdtNtfctn ++ GrpHdr +++ CreDtTm
M	32A	Value Date, Currency Code, Amount	6!n	M	Value date	MT: 190929AED222000,50 MX: 2019-09-29	Document + BkToCstmrDbtCdtNtfctn ++ Ntfctn +++ Ntry ++++ ValDt
			3!a15d		Currency and amount	MT: 190929AED222000,50 MX: Ccy='AED' 222000.50	Document + BkToCstmrDbtCdtNtfctn ++ Ntfctn +++ Ntry ++++ Amt



Status	MT Tag	MT Field Name	MT Format	Buna Status	Comment	Example	XPath in head.001 and camt.054
O	52A	Ordering Institution	4!a2!a2!c [3!c]	M	BIC of participant who is initiated the transaction in the system: Buna in this particular case	BUNNAEAA	Document + BkToCstmrDbtCdtNtfctn ++ Ntfctn +++ Ntry ++++ NtryDtls +++++ TxDtls ++++++ RltdAgts +++++++ InstgAgt +++++++ FinInstnId +++++++ BICFI
O	72	Sender to Receiver Information	/3!c/3!n	M	Transaction type code.	MT: /TTC/089 MX: 089	Document + BkToCstmrDbtCdtNtfctn ++ Ntfctn +++ Ntry ++++ NtryDtls +++++ TxDtls ++++++ Purp +++++++ Prtry
			/3!c/25x	M	Local instrument	MT: /LIN/SCYN-NIPS-CONV MX: SCYN-NIPS-CONV	Document + BkToCstmrDbtCdtNtfctn ++ Ntfctn +++ Ntry ++++ NtryDtls +++++ TxDtls ++++++ LclInstrm +++++++ Prtry



Status	MT Tag	MT Field Name	MT Format	Buna Status	Comment	Example	XPath in head.001 and camt.054
			/8!a/12x	M	Type of reserve credited at the account	MT: /RESCREDI/IPLIMIT MX: IPLIMIT	Document + BkToCstmrDbtCdtNtfctn ++ Ntfctn +++ Acct ++++ Tp +++++ Prtry
			/3!c/	M	IPS settlement session number	MT: /SSN/1549 MX: 1549	Document + BkToCstmrDbtCdtNtfctn ++ Ntfctn +++ Ntry ++++ AcctSvcrRef
			15n	M	Keyword	MT: /SSN/1549	--
			/U/32!c	O	UETR (without dashes in MT)	MT: 6bc05483979b4e0eb7b8c4c13cabbf9d MX: 6bc05483-979b-4e0e-b7b8-c4c13cabbf9d	Document + BkToCstmrDbtCdtNtfctn ++ Ntfctn +++ Ntry ++++ NtryDtls +++++ TxDtls ++++++ Refs +++++++ UETR

12.3.1 EXAMPLE: CONFIRMATION OF ACCOUNT RESERVE CREDITING

MT910: Credit confirmation

```
{1:F01BDPSTNTTXXX}{2:O910BUNNAEAXXXN}{3:{108:1909291001000054}}{4:
:20:928633/910
:21:12312123123
:25:BDPSTNTTSA
```

```
:13D:1909291301+0400  
:32A:190929AED222000,50  
:52A:BUNNAEAA  
:72:/TTC/089  
/LIN/SCYN-NIPS-CONV  
/RESCREDI/IPLIMIT  
/SSN/1549  
/U/84c990a8c11f4588abc7ee1bc5b13b27  
-}
```

camt.054: MX equivalent of MT910

```
<?xml version="1.0" encoding="UTF-8"?>  
<!-- Application header -->  
<AppHdr xmlns="urn:iso:std:iso:20022:tech:xsd:head.001.001.01">  
<!-- Message Sender:-Buna-->  
  <Fr>  
    <FIld>  
      <FinInstnId>  
        <BICFI>BUNNAEAA</BICFI>  
      </FinInstnId>  
    </FIld>  
  </Fr>  
<!-- Message Receiver : DP-->  
  <To>  
    <FIld>  
      <FinInstnId>  
        <BICFI>BDPSTNTT</BICFI>  
      </FinInstnId>  
    </FIld>  
  </To>  
<!-- Message Reference -->  
  <BizMsgldr>190929BUNNAEAAXXX0001000054</BizMsgldr>  
<!-- Message Type -->  
  <MsgDefldr>camt.054.001.08</MsgDefldr>  
<!-- Message Creation Date/Time-->  
  <CreDt>2019-09-29T09:03:01Z</CreDt>
```

```
</AppHdr>
<!-- Document -->
<Document xmlns="urn:iso:std:iso:20022:tech:xsd:camt.054.001.08">
  <BkToCstmrDbtCdtNtfctn>
    <GrpHdr>
      <!-- Unique message identifier generated by Buna -->
      <MsgId>928633/910</MsgId>
      <!-- Message creation date time -->
      <CreDtTm>2019-09-29T10:40:50+04:00</CreDtTm>
    </GrpHdr>
    <Ntfctn>
      <!-- Unique notification identifier generated by Buna -->
      <Id>928633/910</Id>
      <!-- Credited account -->
      <Acct>
        <Id>
          <Othr>
            <Id>BDPSTNTTSA</Id>
          </Othr>
        </Id>
      <!-- Reserve type -->
      <Tp>
        <Prtry>IPLIMIT</Prtry>
      </Tp>
      <!-- Account owner -->
      <Ownr>
        <Id>
          <OrgId>
            <AnyBIC>BDPSTNTT</AnyBIC>
          </OrgId>
        </Id>
      </Ownr>
    </Acct>
    <Ntry>
      <!-- Credited or credited amount -->
      <Amt Ccy="AED">222000.50</Amt>
```

```
<!-- Flag Credited/credit -->
    <CdtDbtInd>CRDT</CdtDbtInd>
<!-- Fixed value -->
    <Sts><Cd>BOOK</Cd></Sts>
<!-- Value date of the payment-->
    <ValDt>
        <Dt>2019-09-29</Dt>
    </ValDt>
<!-- IPS session Id-->
    <AcctSvcrRef>1549</AcctSvcrRef>
<!-- Message type initiated the transaction -->
    <BkTxCd>
        <Prtry>
            <Cd>pacs.009.001.08</Cd>
        </Prtry>
    </BkTxCd>
<!-- Set of reference of original payment-->
    <NtryDtls>
        <TxDtls>
            <Refs>
<!-- Reference of the transfer. -->
                <Msgld>IPS324234234/1</Msgld>
<!-- Reference of the transfer. -->
                <InstrId>IPS324234234/1</InstrId>
<!--End-to-End reference. The same reference for the net transactions in IPS session -->
                <EndToEndId>IPS324234234</EndToEndId>
<!--Unique transaction identifier. -->
                <UETR>84c990a8-c11f-4588-abc7-ee1bc5b13b27</UETR>
<!--Unique transaction identifier. -->
                <TxId>IPS324234234/1</TxId>
            </Refs>
<!--Payment amount and currency code -->
            <Amt Ccy="AED">22200.50</Amt>
            <RltdPties>
<!--Debtor. BICFI for SWIFT-registered participants. ClrSysMmbld/Mmbld – for pseudo-BIC codes (non-swift registered)-->
```

```
<Dbtr>
  <Agt>
    <FinInstnId>
      <BICFI>BUNNAEAA</BICFI>
    </FinInstnId>
  </Agt>
</Dbtr>
```

<!--Creditor.. BICFI for SWIFT-registered participants. ClrSysMmbld/Mmbld – for pseudo-BIC codes (non-swift registered)-->

```
<Cdtr>
  <Agt>
    <FinInstnId>
      <BICFI>BDPSTNTT</BICFI>
    </FinInstnId>
  </Agt>
</Cdtr>
</RltdPties>
```

```
<RltdAgts>
```

<!--Instructing agent. Participant initiated transaction in the system. Buna in this particular case-->

```
<InstgAgt>
  <FinInstnId>
    <BICFI>BUNNAEAA</BICFI>
  </FinInstnId>
</InstgAgt>
```

<!--Instructed agent -->

```
<InstdAgt>
  <FinInstnId>
    <BICFI>BDPSTNTT</BICFI>
  </FinInstnId>
</InstdAgt>
```

<!-- Debited participant -->

```
<Prtry>
  <Tp>DPAR</Tp>
  <Agt>
    <FinInstnId>
      <BICFI>ADPSEGCA</BICFI>
```

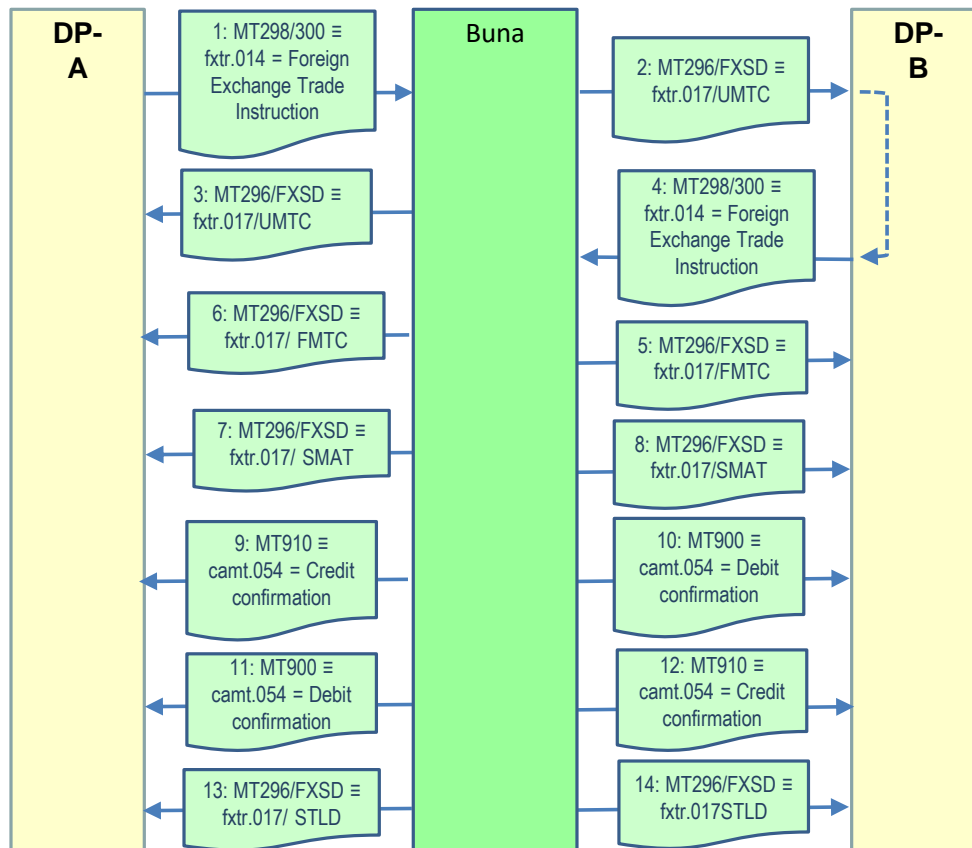
```
                </FinInstnId>
            </Agt>
        </Prtry>
<!-- Credited participant -->
        <Prtry>
            <Tp>CPAR</Tp>
            <Agt>
                <FinInstnId>
                    <BICFI>BDPSTNTT</BICFI>
                </FinInstnId>
            </Agt>
        </Prtry>
    </RltdAgts>
<!-- Local instrument -->
    <LclInstrm>
        <Prtry>SCYN-NIPS-CONV</Prtry>
    </LclInstrm>
<!-- Transaction type code -->
        <Purp>
            <Prtry>089</Prtry>
        </Purp>
    </TxDtls>
</NtryDtls>
</Ntry>
</Ntfctn>
</BkToCstmrDbtCdtNtfctn>
</Document>
```

13IPS LIQUIDITY SUPPORT MESSAGES

13.1 MESSAGE FLOW

13.1.1 Successful flow

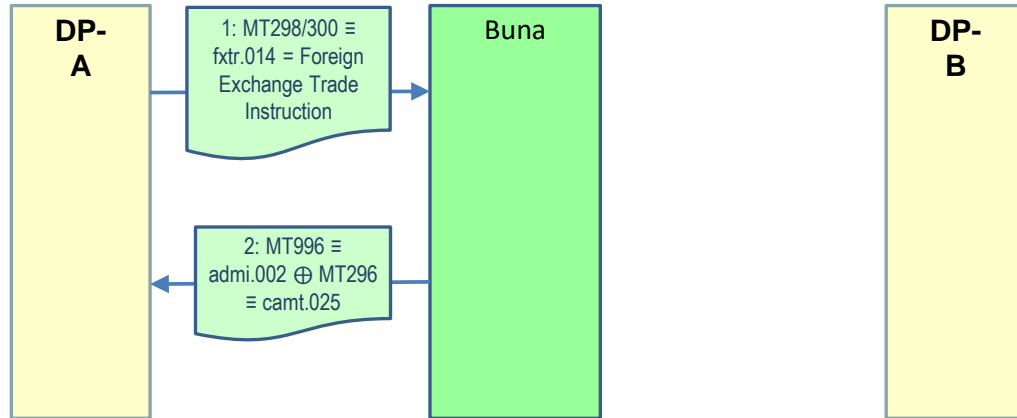
Figure 5. Successful flow.



Message #	MX type	Item
1	MT298/300 ≡ fxtr.014	13.2.1 (left column)
2	MT296/FXSD ≡ fxtr.017/UMTC	13.3.1
3	MT296/FXSD ≡ fxtr.017/UMTC	
4	MT298/300 ≡ fxtr.014	13.2.1 (right column)
5	MT296/FXSD ≡ fxtr.017/FMTC	
6	MT296/FXSD ≡ fxtr.017/FMTC	
7	MT296/FXSD ≡ fxtr.017/SMAT	
8	MT296/FXSD ≡ fxtr.017/SMAT	
9	MT910 ≡ camt.054	
10	MT900 ≡ camt.054	13.4.1
11	MT900 ≡ camt.054	13.4.2
12	MT910 ≡ camt.054	
13	MT296/FXSD ≡ fxtr.017/STLD	
14	MT296/FXSD ≡ fxtr.017/STLD	

13.1.2 Unsuccessful flow: rejection by Buna

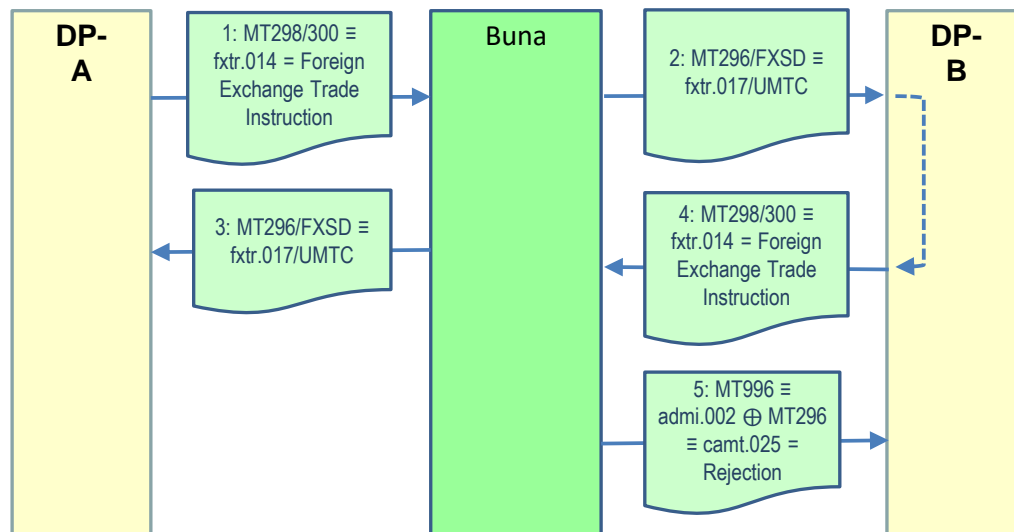
Figure 6. Rejection by Buna.



Message #	MX type	Item
1	MT298/300 ≡ fxtr.014	13.2.1 (left column)
2	MT996 ≡ admi.002	10.3 "Buna Message Formats"
2	MT296 ≡ camt.025	10.1 "Buna Message Formats"

13.1.3 Unsuccessful flow: rejection by Buna

Figure 7. Rejection by Buna.



Message #	MX type	Item
1	MT298/300 ≡ fxtr.014	13.2.1 (left column)
2	MT296/FXSD ≡ fxtr.017/UMTC	13.3.1
3	MT296/FXSD ≡ fxtr.017/UMTC	
4	MT298/300 ≡ fxtr.014	13.2.1 (left column)
5	MT996 ≡ admi.002	10.3 "Buna Message Formats"
5	MT296 ≡ camt.025	10.1 "Buna Message Formats"

13.2 MT298/300 ≡ FXTR.014: FOREIGN EXCHANGE TRADE INSTRUCTION

This message is generated to initiate PvP operation.

Please refer to [1.11] for the description of the fields of message header which are not described in the table below.

Format of MT298/300 ≡ fxtr.014: Foreign Exchange Trade Instruction.

SWIFT Status	MT Field	MT field name	MT Format	Buna status	Comment	Example	XPath in head.001 and fxtr.014
M	Block 2	Message type	3!n	M	MT: SWIFT message type. MX: MX message type	MT: 298 MX: fxtr.014.001.04	AppHdr + MsgDefldr Document AND
O	113 in Block 3	Priority	4!n	M	Settlement priority	0020	AppHdr + Prty
M	20	Originator Reference	16x	M	Id of the message assigned by Originator	R1208348360548	Document + FXTradInstr ++ TradInf +++ OrgtrRef
M	12	Sub-Message Type		M	Fixed value 300	--	--
M	77E			M	Empty line		
	22C		16x	M	Common Reference agreed between the parties	CM18765	Document + FXTradInstr ++ TradInf +++ CmonRef
	94A		4!c	M	A Role of the message sender: BANK – bank; FXPR – FX provider.		Document + FXTradInstr ++ TradInf +++ OprScp
	17I		YesNoIndicator	M	Payment Versus Payment Indicator. Fixed value “true”	true	Document + FXTradInstr ++ TradInf +++ PmtVrssPmtInd

SWIFT Status	MT Field	MT field name	MT Format	Buna status	Comment	Example	XPath in head.001 and fxtr.014
	82L		/FHI/4!a2!a2!c[3!c]	O	FHI of the Sold currency	/FHI/CITIUS33	Document + FXTradInstr ++ TradgSdld +++ SubmitgPty ++++ AnyBIC +++++ Altrntvldr OR Document + FXTradInstr ++ TradgSdld +++ SubmitgPty ++++ NmAndAdr +++++ Altrntvldr
	82S		4!a2!a2!c[3!c]	MA	BIC of message originator	ADPSEGCAXXX	Document + FXTradInstr ++ TradgSdld +++ SubmitgPty ++++ AnyBIC +++++ AnyBIC
	82N		4!a2!a2!c[3!c]	MA	Pseudo-BIC of message originator	ABCDTNTT	Document + FXTradInstr ++ TradgSdld +++ SubmitgPty ++++ NmAndAdr +++++ Nm

SWIFT Status	MT Field	MT field name	MT Format	Buna status	Comment	Example	XPath in head.001 and fxtr.014
	87L		/FHI/4!a2!a2!c[3!c]	O	FHI of the Bought currency	/FHI/HSBCGB22	Document + FXTradInstr ++ CtrPtySdld +++ SubmitgPty ++++ AnyBIC +++++ Altrntvldr OR Document + FXTradInstr ++ CtrPtySdld +++ SubmitgPty ++++ NmAndAdr +++++ Altrntvldr
	87S		4!a2!a2!c[3!c]	MA	BIC of counterparty	BDPSTNTT	Document + FXTradInstr ++ CtrPtySdld +++ SubmitgPty ++++ AnyBIC +++++ AnyBIC
	87N		4!a2!a2!c[3!c]	MA	Pseudo-BIC of counterparty	EFGHTNTT	Document + FXTradInstr ++ CtrPtySdld +++ SubmitgPty ++++ NmAndAdr +++++ Nm
	30T		8!n	M	Trade Date	MT: 2019-09-29 MX: 2019-09-29	Document + FXTradInstr ++ TradInf +++ TradDt



SWIFT Status	MT Field	MT field name	MT Format	Buna status	Comment	Example	XPath in head.001 and fxtr.014
	30V		8!n	M	Settlement Date	MT: 2019-09-29 MX: 2019-09-29	Document + FXTradInstr ++ TradAmts +++ StlmDt
	92B	Exchange Rate	:4!c//3!a/3!a/15d	M	Exchange Rate	MT: :EXCH/USD/AED/3,6 731	Document + FXTradInstr ++ AgrdRate +++ XchgRate
Unit currency					MT: :EXCH/USD/AED/3,6 731 MX: USD	Document + FXTradInstr ++ AgrdRate +++ UnitCcy	
Quoted currency					MT: :EXCH/USD/AED/3,6 731 MX: AED	Document + FXTradInstr ++ AgrdRate +++ QtdCcy	
	32B		ActiveCurrency andAmount	M	Amount to be received by Trading side (Currency, Amount Bought)	MT: AED1002 , MX: Ccy="AED" 1002	Document + FXTradInstr ++ TradAmts +++ TradgSdBuyAmt

SWIFT Status	MT Field	MT field name	MT Format	Buna status	Comment	Example	XPath in head.001 and fxtr.014
	47L		/RSV/30x Or /34x	CO	Name of reserve to be credited in bought currency. OR Account number after slash	/RSV/IPLIMIT Or /345345345	Document + FXTradInstr ++ TradgSdSttlmInstrs +++ RcvgAgt ++++ AnyBIC +++++ Altrntvldr OR Document + FXTradInstr ++ TradgSdSttlmInstrs +++ RcvgAgt ++++ NmAndAdr +++++ Altrntvldr
	47S		4!a2!a2!c[3!c]	OA	BIC of participant to be credited in bought currency	ADPSEGCAXXX	Document + FXTradInstr ++ TradgSdSttlmInstrs +++ RcvgAgt ++++ AnyBIC +++++ AnyBIC
	47N		4!a2!a2!c[3!c]	OA	Pseudo-BIC of participant to be credited in bought currency	ABCDTNTT	Document + FXTradInstr ++ TradgSdSttlmInstrs +++ RcvgAgt ++++ NmAndAdr +++++ Nm
	33B		ActiveCurrency andAmount	M	Amount to be delivered by Trading side (Currency, Amount Sold)	Ccy="USD" 3673.1	Document + FXTradInstr ++ TradAmts +++ TradgSdSellAmt

SWIFT Status	MT Field	MT field name	MT Format	Buna status	Comment	Example	XPath in head.001 and fxtr.014
	32M		3!a15d	O	Broker's commission	MT: USD2 , MX: Ccy="USD" 2.00	Document + FXTradInstr ++ OptnlGnlInf +++ BrkrsComssn
	72		/3!c/30!x	O	Additional information. Fill with spaces to achive 35 symbols	/ACC/EXTRA INFO	Document + FXTradInstr ++ OptnlGnlInf +++ SndrToRcvrInf
			//33!x	OC	Continuation of additional information. Fill with spaces to achive 35 symbols	//Continuation	Document + FXTradInstr ++ OptnlGnlInf +++ SndrToRcvrInf
	121		36!x	M	UETR: Unique Transaction Reference	4e7b08db-68e1-4af3-ac40-cd06623bac8a	Document + FXTradInstr ++ RgltryRptg +++ TradgSdTxRptg ++++ TradgSdUnqTxldr +++++ UnqTxldr

13.2.1 EXAMPLES: FOREIGN EXCHANGE TRADE INSTRUCTIONS

MT298/300: Foreign Exchange Confirmation (two messages from counterparties)

Message from ADPSEGCA	Description	Message from BDPSTNTT
{1:F01ADPSEGCAXXXX}	Sender	{1:F01BDPSTNTTXXXX}

Message from ADPSEGCA	Description	Message from BDPSTNTT
{2:I298BUNNAEAAAXXXN}	Message Type, Receiver	{2:I298BUNNAEAAAXXXN}
13.2.2 {3:{108:FX13115179-2}}{4:		{3:{108:FX13115179-2}}{4:
:20:FX13115179-2	Sender's Reference	:20:FX234234151
:12:300	Message sub-type	:12:300
:77E:	Empty line	:77E:
:22A:NEWT	Type of Operation	:22A:NEWT
:22C:CM18765	Common Reference	:22C:CM18765
:94A:BANK	Role of the party	:94A:FXPR
:17I:Y	Payment versus Payment Settlement Indicator	:17I:Y
:82L:/FHI/CHASUS33	FHI of the Sold currency	:82L:/FHI/CBAUAEAA
:82S:ADPSEGCA	Party A – Trading party	:82S:BDPSTNTT
:87L:/FHI/CBAUAEAA	FHI of the Bought currency	:87L:/FHI/CHASUS33
:87S:BDPSTNTT	Party B - Counterparty	:87S:ADPSEGCA
:30T:20220929	Trade Date	:30T:20220929
:30V:20220929	Value Date	:30V:20220929
:92B::EXCH/USD/AED/3,6731	Exchange Rate	:92B::EXCH/USD/AED/3,6731
:32B:AED1000,00	Currency, Amount Bought	:32B:USD3675,10
:33B:USD3675,10	Currency, Amount Sold	:33B:AED1000,00
:47L:/RSV/IPLIMIT	Reserve to be credited in bought currency	
:47S:ADPSEGCA	Participant to be credited in bought currency	
	Broker's commission	:32M:USD2,



Message from ADPSEGCA	Description	Message from BDPSTNTT
:72:/ACC/EXTRA INFO ON OPERATION 1111 1	Sender to receiver information	:72:/ACC/ANYTHING
:121:90103f53-b1f7-4308-ad37-90544044383f	UETR	:121:93668361-8c7d-4e55-a01b-1cddabc87aed
-}		-}

MX Equivalents (two messages to be matched)

<AppHdr xmlns="urn:iso:std:iso:20022:tech:xsd:head.001.001.01">	<AppHdr xmlns="urn:iso:std:iso:20022:tech:xsd:head.001.001.01">
<Fr>	<Fr>
<FIld>	<FIld>
<FinInstnId>	<FinInstnId>
<BICFI>ADPSEGCA</BICFI>	<BICFI>BDPSTNTT</BICFI>
</FinInstnId>	</FinInstnId>
</FIld>	</FIld>
</Fr>	</Fr>
<To>	<To>
<FIld>	<FIld>
<FinInstnId>	<FinInstnId>
<BICFI>BUNNAEAA</BICFI>	<BICFI>BUNNAEAA</BICFI>
</FinInstnId>	</FinInstnId>
</FIld>	</FIld>
</To>	</To>
<BizMsgIdr>FX13115179-2</BizMsgIdr>	<BizMsgIdr>FX234234151</BizMsgIdr>
<MsgDefIdr>fxtr.014.001.04</MsgDefIdr>	<MsgDefIdr>fxtr.014.001.04</MsgDefIdr>
<CreDt>2022-09-29T11:17:41Z</CreDt>	<CreDt>2022-09-29T11:24:12Z</CreDt>
<Prty>0004</Prty>	<Prty>0004</Prty>
</AppHdr>	</AppHdr>
<Document xmlns="urn:iso:std:iso:20022:tech:xsd:fxtr.014.001.04">	<Document xmlns="urn:iso:std:iso:20022:tech:xsd:fxtr.014.001.04">
<FXTradInstr>	<FXTradInstr>
<TradInf>	<TradInf>
<!--Trade date. Field 30T -->	<!--Trade date. Field 30T -->

<TradDt>2022-09-29</TradDt>	<TradDt>2022-09-29</TradDt>
<!-- Originator Reference. Field 20 -->	<!-- Originator Reference. Field 20 -->
<OrgtrRef>FX13115179-2</OrgtrRef>	<OrgtrRef>FX234234151</OrgtrRef>
<!--Common reference. Field 22C -->	<!--Common reference. Field 22C -->
<CmonRef>CM18765</CmonRef>	<CmonRef>CM18765</CmonRef>
<!--Role of the participant. Field 94A -->	<!--Role of the participant. Field 94A -->
<OprScp>BANK</OprScp>	<OprScp>FXPR</OprScp>
<!--PvP indicator. Fixed value "true" Field 17I -->	<!--PvP indicator. Fixed value "true" Field 17I -->
<PmtVrssPmtInd>true</PmtVrssPmtInd>	<PmtVrssPmtInd>true</PmtVrssPmtInd>
</TradInf>	</TradInf>
<!--Party A. Field 82a -->	<!--Party A. Field 82a -->
<TradgSdId>	<TradgSdId>
<SubmitgPty>	<SubmitgPty>
<AnyBIC>	<AnyBIC>
<AnyBIC>ADPSEGCA</AnyBIC>	<AnyBIC>BDPSTNTT</AnyBIC>
<Altrntvldr>/FHI/CHASUS33</Altrntvldr>	<Altrntvldr>/FHI/CBAUAEAA</Altrntvldr>
</AnyBIC>	</AnyBIC>
</SubmitgPty>	</SubmitgPty>
</TradgSdId>	</TradgSdId>
<!--Party B. Field 87a -->	<!--Party B. Field 87a -->
<CtrPtySdId>	<CtrPtySdId>
<SubmitgPty>	<SubmitgPty>
<AnyBIC>	<AnyBIC>
<AnyBIC>BDPSTNTT</AnyBIC>	<AnyBIC>ADPSEGCA</AnyBIC>
<Altrntvldr>/FHI/CBAUAEAA</Altrntvldr>	<Altrntvldr>/FHI/CHASUS33</Altrntvldr>
</AnyBIC>	</AnyBIC>
</SubmitgPty>	</SubmitgPty>
</CtrPtySdId>	</CtrPtySdId>
<TradAmts>	<TradAmts>
<!--Amount bought. Field 32B -->	<!--Amount bought. Field 32B -->
<TradgSdBuyAmt Ccy="AED">100000.</TradgSdBuyAmt>	<TradgSdBuyAmt Ccy="USD">144750.</TradgSdBuyAmt>
<!--Amount sold. Field 33B -->	<!--Amount sold. Field 33B -->
<TradgSdSellAmt Ccy="USD">144750.</TradgSdSellAmt>	<TradgSdSellAmt Ccy="AED">100000.</TradgSdSellAmt>
<!--Value date. Field 30V -->	<!--Value date. Field 30V -->
<SttlmDt>2022-09-29</SttlmDt>	<SttlmDt>2022-09-29</SttlmDt>

</TradAmts>	</TradAmts>
<!--Exchange rate. Field 92B -->	<!--Exchange rate. Field 92B -->
<AgrdRate>	<AgrdRate>
<XchgRate>1.4475</XchgRate>	<XchgRate>1.4475</XchgRate>
<UnitCcy>USD</UnitCcy>	<UnitCcy>USD</UnitCcy>
<QtdCcy>AED</QtdCcy>	<QtdCcy>AED</QtdCcy>
</AgrdRate>	</AgrdRate>
<!--Crediting party -->	
<TradgSdSttlmInstrs>	
<RcvgAgt>	
<AnyBIC>	
<AnyBIC>ADPSEGCA</AnyBIC>	
<Altrntvldr>/RSV/IPLIMIT</Altrntvldr>	
</AnyBIC>	
</RcvgAgt>	
</TradgSdSttlmInstrs>	
<!--Additional info -->	<!--Additional info -->
<OptnlGnllnf>	<OptnlGnllnf>
<BrkrsComssn Ccy="USD">1.50</BrkrsComssn>	<BrkrsComssn Ccy="AED">1.00</BrkrsComssn>
<SndrToRcvrlnf>EXTRA INFO ON OPERATION 11111</SndrToRcvrlnf>	<SndrToRcvrlnf>ANYTHING</SndrToRcvrlnf>
</OptnlGnllnf>	</OptnlGnllnf>
<RgltryRptg>	<RgltryRptg>
<TradgSdTxBptg>	<TradgSdTxBptg>
<TradgSdUnqTxldr>	<TradgSdUnqTxldr>
<!--UETR. Field 121 -->	<!--UETR. Field 121 -->
<UnqTxldr>90103f53-b1f7-4308-ad37-90544044383f</UnqTxldr>	<UnqTxldr>93668361-8c7d-4e55-a01b-1cddabc87aed</UnqTxldr>
</TradgSdUnqTxldr>	</TradgSdUnqTxldr>
</TradgSdTxBptg>	</TradgSdTxBptg>
</RgltryRptg>	</RgltryRptg>
</FXTradInstr>	</FXTradInstr>
</Document>	</Document>

Example #1:



Participant Bank wants to buy 1,000 AED and sell USD (with FX provider commission being charged in USD)

FX rate is AED/USD = 0.2722

AED is a base currency; USD is a counter currency from Participant's point of view.

1,000 AED = 272.2 USD

Broker's commission of FX provider is 2.0 USD

Transactions amounts will be 1,000 AED and 274.2 USD (272.2 USD to convert + 2.0 USD fee)

Message from ADPSEGCA (Bank)	Description	Message from BDPSTNTT (FX Provider)
{1:F01ADPSEGCAXXXX}	Sender	{1:F01BDPSTNTTXXXX}
{2:I298BUNNAEAAXXXN}	Message Type, Receiver	{2:I298BUNNAEAAXXXN}
{3:{108:FX13115179-2}}{4: :20:FX13115179-2	Sender's Reference	{3:{108:FX13115179-2}}{4: :20:FX234234151
:12:300	Message sub-type	:12:300
:77E:	Empty line	:77E:
:22A:NEWT	Type of Operation	:22A:NEWT
:22C:CM18765	Common Reference	:22C:CM18765
:94A:BANK	Role of the party	:94A:FXPR
:17I:Y	Payment versus Payment Settlement Indicator	:17I:Y
:82L:/FHI/CHASUS33	FHI of the Sold currency	:82L:/FHI/CBAUAEAA
:82S:ADPSEGCA	Party A – Trading party	:82S:BDPSTNTT
:87L:/FHI/CBAUAEAA	FHI of the Bought currency	:87L:/FHI/CHASUS33

Message from ADPSEGCA (Bank)	Description	Message from BDPSTNTT (FX Provider)
:87S:BDPSTNTT	Party B - Counterparty	:87S:ADPSEGCA
:30T:20220929	Trade Date	:30T:20220929
:30V:20220929	Value Date	:30V:20220929
:92B::EXCH/ AED/USD/0,2722	Exchange Rate	:92B::EXCH/ AED/USD/0,2722
:32B:AED1000,00	Currency, Amount Bought	:32B:USD274,2
:33B:USD274,2	Currency, Amount Sold	:33B:AED1000,00
:47L:/RSV/IPLIMIT	Reserve to be credited in bought currency	
:47S:ADPSEGCA	Participant to be credited in bought currency	
	Broker's commission	:32M:USD2,
:72:/ACC/EXTRA INFO ON OPERATION 11111	Sender to receiver information	:72:/ACC/ANYTHING
:121:90103f53-b1f7-4308-ad37-90544044383f	UETR	:121:93668361-8c7d-4e55-a01b-1cdda bc87aed
-}		-}

Example #2:

Participant Bank wants to sell 5,000 USD and to buy AED (with FX provider commission being charged in USD)

In this case 2.2.7 Pre-validation method «Request base currency amount» should be used to know how much AED will be received in case of selling 5,000 USD.

FX rate is AED/USD = 0.2722

AED is a base currency; USD is a counter currency from Participant's point of view.

Broker's commission of FX provider is 4.0 USD

$(5,000 \text{ USD} - 4.0 \text{ USD}) \times 3.6731 = 18,350.8 \text{ AED}$

Transactions amounts will be 18,350.8 AED and 5,000 USD

Message from ADPSEGCA (Bank)	Description	Message from BDPSTNTT (FX Provider)
{1:F01ADPSEGCAXXXX}	Sender	{1:F01BDPSTNTTXXXX}
{2:I298BUNNAEAAXXXN}	Message Type, Receiver	{2:I298BUNNAEAAXXXN}
{3:{108:FX13115179-2}}{4:		{3:{108:FX13115179-2}}{4:
:20:FX13115179-2	Sender's Reference	:20:FX234234151
:12:300	Message sub-type	:12:300
:77E:	Empty line	:77E:
:22A:NEWT	Type of Operation	:22A:NEWT
:22C:CM18765	Common Reference	:22C:CM18765
:94A:BANK	Role of the party	:94A:FXPR
:17I:Y	Payment versus Payment Settlement Indicator	:17I:Y
:82L:/FHI/CHASUS33	FHI of the Sold currency	:82L:/FHI/CBAUAEAA
:82S:ADPSEGCA	Party A – Trading party	:82S:BDPSTNTT
:87L:/FHI/CBAUAEAA	FHI of the Bought currency	:87L:/FHI/CHASUS33
:87S:BDPSTNTT	Party B - Counterparty	:87S:ADPSEGCA
:30T:20220929	Trade Date	:30T:20220929
:30V:20220929	Value Date	:30V:20220929

Message from ADPSEGCA (Bank)	Description	Message from BDPSTNTT (FX Provider)
:92B::EXCH/ AED/USD/0,2722	Exchange Rate	:92B::EXCH/ AED/USD/0,2722
:32B:AED18350,80	Currency, Amount Bought	:32B:USD5000,0
:33B:USD5000,0	Currency, Amount Sold	:33B:AED18350,80
:47L:/RSV/IPLIMIT	Reserve to be credited in bought currency	
:47S:ADPSEGCA	Participant to be credited in bought currency	
	Broker's commission	:32M:USD4,
:72:/ACC/EXTRA INFO ON OPERATION 11111	Sender to receiver information	:72:/ACC/ANYTHING
:121:90103f53-b1f7-4308-ad37-90544044383f	UETR	:121:93668361-8c7d-4e55-a01b-1cddabc87aed
-}		-}

Example #3:

Participant Bank wants to sell 1,000 USD and to buy AED (with FX provider commission being charged in AED)

In this case 2.2.7 Pre-validation method «Request base currency amount» should be used to know how much AED will be received in case of selling 1,000 USD.

FX rate is AED/USD = 0.2722

AED is a base currency; USD is a counter currency from Participant's point of view.

Broker's commission of FX provider is 3.0 AED

Calculations: (1,000 USD x 3.6731 = 3,673.1 AED)

Transactions amounts will be 3,673.1 – 3 = 3,670.1 AED and 1,000 USD

Message from ADPSEGCA (Bank)	Description	Message from BDPSTNTT (FX Provider)
{1:F01ADPSEGCAXXXX}	Sender	{1:F01BDPSTNTTXXXX}
{2:I298BUNNAEAAXXXN}	Message Type, Receiver	{2:I298BUNNAEAAXXXN}
{3:{108:FX13115179-2}}{4: :20:FX13115179-2	Sender's Reference	{3:{108:FX13115179-2}}{4: :20:FX234234151
:12:300	Message sub-type	:12:300
:77E:	Empty line	:77E:
:22A:NEWT	Type of Operation	:22A:NEWT
:22C:CM18765	Common Reference	:22C:CM18765
:94A:BANK	Role of the party	:94A:FXPR
:17I:Y	Payment versus Payment Settlement Indicator	:17I:Y
:82L:/FHI/CHASUS33	FHI of the Sold currency	:82L:/FHI/CBAUAEAA
:82S:ADPSEGCA	Party A – Trading party	:82S:BDPSTNTT
:87L:/FHI/CBAUAEAA	FHI of the Bought currency	:87L:/FHI/CHASUS33
:87S:BDPSTNTT	Party B - Counterparty	:87S:ADPSEGCA
:30T:20220929	Trade Date	:30T:20220929
:30V:20220929	Value Date	:30V:20220929
:92B::EXCH/ AED/USD/0,27 22	Exchange Rate	:92B::EXCH/ AED/USD/0,2722
:32B:AED3670,10	Currency, Amount Bought	:32B:USD1000,0

Message from ADPSEGCA (Bank)	Description	Message from BDPSTNTT (FX Provider)
:33B:USD1000,0	Currency, Amount Sold	:33B:AED3670,10
:47L:/RSV/IPLIMIT	Reserve to be credited in bought currency	
:47S:ADPSEGCA	Participant to be credited in bought currency	
	Broker's commission	:32M:AED3,
:72:/ACC/EXTRA INFO ON OPERATION 11111	Sender to receiver information	:72:/ACC/ANYTHING
:121:90103f53-b1f7-4308-ad 37-90544044383f	UETR	:121:93668361-8c7d-4e55-a01b-1cdda bc87aed
-}		-}

13.3 MT296/FXSD ≡ FXTR.017.001.04 — FOREIGN EXCHANGE TRADE STATUS AND DETAILS NOTIFICATION

fxtr.017.001.04 — Foreign Exchange Trade Status and Details Notification is sent after successful receiving of MT298/300.

Format of MT296/FXSD ≡ fxtr.017: Foreign Exchange Trade Status and Details Notification.

SWIFT Status	MT Field	MT field name	MT Format	Buna status	Comment	Example	XPath in head.001 and fxtr.017
M	20	Message Id	16x	M	Id of current message	RT35345	Document + FXTradStsAndDtIsNtfcfn ++ TradInf +++ MsgId

SWIFT Status	MT Field	MT field name	MT Format	Buna status	Comment	Example	XPath in head.001 and fxtr.017
M	21	Related reference	16x	M	Id of the message assigned by Originator	R1208348360548	Document + FXTradStsAndDtIsNtfctn ++ TradInf +++ OrgtrRef
M	76	Answer	/FXSD/4!c	M	Fixed value FXSD	MT: FXSD	--
			4!a	M	Status Code: RJCT — Rejected; UMTC — Unmatched; FMTC — Matched; SMAT — Settlement Mature; SMAP — Pending; RSCD — Cancelled; STLD — Settled	UMTC	Document + FXTradStsAndDtIsNtfctn ++ StsDtIs +++ CurSts ++++ StsCd +++++ Cd
			/6!n	M	Date/Time of status assigning	MT: 1909291754+0400 MX: 2019-09-29T17:54:30+04:00	Document + FXTradStsAndDtIsNtfctn ++ StsDtIs +++ CurStsDtTm

SWIFT Status	MT Field	MT field name	MT Format	Buna status	Comment	Example	XPath in head.001 and fxtr.017
O	77A	Narrative	16x	M	Matching System Unique Reference: Id of current trade assigned by the system	52	Document + FXTradStsAndDtIsNtfctn ++ StsDtIs +++ MtchgSysUnqRef
M	22C	Copy of at least the mandatory fields of the Original Message	16x	M	Common reference	CM18765	Document + FXTradStsAndDtIsNtfctn ++ TradInf +++ CmonRef
	17U		1!a	M	Fixed value "false"	MT: N MX: false	Document + FXTradStsAndDtIsNtfctn ++ TradInf +++ SpltTradInd
	17I		1!a	M	Payment Versus Payment Indicator. Fixed value "true"	MT: Y MX: true	Document + FXTradStsAndDtIsNtfctn ++ TradInf +++ PmtVrssPmtInd
	17A		1!a	O	Alleged trade flag. "Y" if matching is required. "N" if status is reported.	MT: Y MX: true	Document + FXTradStsAndDtIsNtfctn ++ StsDtIs +++ AllgdTrad

SWIFT Status	MT Field	MT field name	MT Format	Buna status	Comment	Example	XPath in head.001 and fxtr.017
	82L		/FHI/4!a2!a2!c[3!c]	O	FHI of the Sold currency	/FHI/CITIUS33	Document + FXTradStsAndDtIsNtfctn ++ TradgSdld +++ SubmitgPty ++++ AnyBIC +++++ Altrntvldr OR Document + FXTradStsAndDtIsNtfctn ++ TradgSdld +++ SubmitgPty ++++ NmAndAdr +++++ Altrntvldr
	82S		4!a2!a2!c[3!c]	MA	BIC of message originator	ADPSEGCAXXX	Document + FXTradStsAndDtIsNtfctn ++ TradgSdld +++ SubmitgPty ++++ AnyBIC +++++ AnyBIC
	82N		4!a2!a2!c[3!c]	MA	Pseudo-BIC of message originator	ABCDTNTT	Document + FXTradStsAndDtIsNtfctn ++ TradgSdld +++ SubmitgPty ++++ NmAndAdr +++++ Nm

SWIFT Status	MT Field	MT field name	MT Format	Buna status	Comment	Example	XPath in head.001 and fxtr.017
	87L		/FHI/4!a2!a2!c[3!c]	O	FHI of the Bought currency	/FHI/HSBCGB22	Document + FXTradStsAndDtIsNtfctn ++ CtrPtySdld +++ SubmitgPty ++++ AnyBIC +++++ Altrntvldr OR Document + FXTradStsAndDtIsNtfctn ++ CtrPtySdld +++ SubmitgPty ++++ NmAndAdr +++++ Altrntvldr
	87S		4!a2!a2!c[3!c]	MA	BIC of counterparty	BDPSTNTT	Document + FXTradStsAndDtIsNtfctn ++ CtrPtySdld +++ SubmitgPty ++++ AnyBIC +++++ AnyBIC
	87N		4!a2!a2!c[3!c]	MA	Pseudo-BIC of counterparty	EFGHTNTT	Document + FXTradStsAndDtIsNtfctn ++ CtrPtySdld +++ SubmitgPty ++++ NmAndAdr +++++ Nm
	30T		6!n	M	Trade Date	2019-09-29	Document + FXTradStsAndDtIsNtfctn ++ TradInf +++ TradDt

SWIFT Status	MT Field	MT field name	MT Format	Buna status	Comment	Example	XPath in head.001 and fxtr.017
	30V		6!n	M	Settlement Date	2019-09-29	Document + FXTradStsAndDtIsNtfctn ++ TradAmts +++ SttlmDt
	92B	Exchange Rate	:4!c//3!a/3!a/15d	M	Exchange Rate	MT: :EXCH/USD/AED/3,673 1	Document + FXTradStsAndDtIsNtfctn ++ AgrdRate +++ XchgRate
Unit currency					MT: :EXCH/USD/AED/3,673 1 MX: USD	Document + FXTradStsAndDtIsNtfctn ++ AgrdRate +++ UnitCcy	
Quoted currency					MT: :EXCH/USD/AED/3,673 1 MX: AED	Document + FXTradStsAndDtIsNtfctn ++ AgrdRate +++ QtdCcy	
	32B		3!a15d	M	Amount to be received by Trading side	MT: AED5000000 , MX: Ccy="AED" 5000000.	Document + FXTradStsAndDtIsNtfctn ++ TradAmts +++ TradgSdBuyAmt

SWIFT Status	MT Field	MT field name	MT Format	Buna status	Comment	Example	XPath in head.001 and fxtr.017
	43L		/ 34x	CO	After slash: account numberto be debited in bought currency	/78998	Document + FXTradStsAndDtIsNtfctn ++ TradgSdSttlmInstrs +++ DlvryAgt ++++ AnyBIC +++++ Altrntvldr OR Document + FXTradStsAndDtIsNtfctn ++ TradgSdSttlmInstrs +++ DlvryAgt ++++ NmAndAdr +++++ Altrntvldr
	43S		4!a2!a2!c[3!c]	OA	BIC of participant to be debited in bought currency	ADPSEGCAXXX	Document + FXTradStsAndDtIsNtfctn ++ TradgSdSttlmInstrs +++ DlvryAgt ++++ AnyBIC +++++ AnyBIC
	43N		4!a2!a2!c[3!c]	OA	Pseudo-BIC of participant to be debited in bought currency	ABCDTNTT	Document + FXTradStsAndDtIsNtfctn ++ TradgSdSttlmInstrs +++ DlvryAgt ++++ NmAndAdr +++++ Nm

SWIFT Status	MT Field	MT field name	MT Format	Buna status	Comment	Example	XPath in head.001 and fxtr.017
	47L		/RSV/30x Or /34x	CO	Name of reserve to be credited in bought currency. OR Account number after slash	/RSV/IPLIMIT Or /345345345	Document + FXTradStsAndDtIsNtfctn ++ TradgSdSttlmInstrs +++ RcvgAgt ++++ AnyBIC +++++ Altrntvldr OR Document + FXTradStsAndDtIsNtfctn ++ TradgSdSttlmInstrs +++ RcvgAgt ++++ NmAndAdr +++++ Altrntvldr
	47S		4!a2!a2!c[3!c]	OA	BIC of participant to be credited in bought currency	ADPSEGCAXXX	Document + FXTradStsAndDtIsNtfctn ++ TradgSdSttlmInstrs +++ RcvgAgt ++++ AnyBIC +++++ AnyBIC
	47N		4!a2!a2!c[3!c]	OA	Pseudo-BIC of participant to be credited in bought currency	ABCDTNTT	Document + FXTradStsAndDtIsNtfctn ++ TradgSdSttlmInstrs +++ RcvgAgt ++++ NmAndAdr +++++ Nm
	33B		3!a15d	M	Amount to be delivered by Trading side	MT: EUR6000000 MX: Ccy="EUR" 6000000	Document + FXTradStsAndDtIsNtfctn ++ TradAmts +++ TradgSdSellAmt

SWIFT Status	MT Field	MT field name	MT Format	Buna status	Comment	Example	XPath in head.001 and fxtr.017
	53L		/34x	CO	Account number after slash to be debited in sold currency	/56564	Document + FXTradStsAndDtIsNtfctn ++ CtrPtySdSttlmInstrs +++ DlvryAgt ++++ AnyBIC +++++ Altrntvldr OR Document + FXTradStsAndDtIsNtfctn ++ CtrPtySdSttlmInstrs +++ DlvryAgt ++++ NmAndAdr +++++ Altrntvldr
	53S		4!a2!a2!c[3!c]	OA	BIC of participant to be debited in sold currency	ADPSEGCAXXX	Document + FXTradStsAndDtIsNtfctn ++ CtrPtySdSttlmInstrs +++ DlvryAgt ++++ AnyBIC +++++ AnyBIC
	53N		4!a2!a2!c[3!c]	OA	Pseudo-BIC of participant to be debited in sold currency	ABCDTNTT	Document + FXTradStsAndDtIsNtfctn ++ CtrPtySdSttlmInstrs +++ DlvryAgt ++++ NmAndAdr +++++ Nm

SWIFT Status	MT Field	MT field name	MT Format	Buna status	Comment	Example	XPath in head.001 and fxtr.017
	57L		/RSV/30x And/Or /34x	CO	Name of reserve to be credited in sold currency. After slash: account number to be credited in sold currency	/RSV/IPLIMIT And/Or /23423423423	Document + FXTradStsAndDtIsNtfctn ++ CtrPtySdSttlmInstrs +++ RcvgAgt ++++ AnyBIC +++++ Altrntvldr OR Document + FXTradStsAndDtIsNtfctn ++ CtrPtySdSttlmInstrs +++ RcvgAgt ++++ NmAndAdr +++++ Altrntvldr
	57S		4!a2!a2!c[3!c]	OA	BIC of participant to be credited in sold currency	ADPSEGCAXXX	Document + FXTradStsAndDtIsNtfctn ++ CtrPtySdSttlmInstrs +++ RcvgAgt ++++ AnyBIC +++++ AnyBIC
	57N		4!a2!a2!c[3!c]	OA	Pseudo-BIC of participant to be credited in sold currency	ABCDTNTT	Document + FXTradStsAndDtIsNtfctn ++ CtrPtySdSttlmInstrs +++ RcvgAgt ++++ NmAndAdr +++++ Nm

SWIFT Status	MT Field	MT field name	MT Format	Buna status	Comment	Example	XPath in head.001 and fxtr.017
	72		/3!c/30!x	O	Additional information. Fill with spaces to achive 35 symbols	MT: /ACC/EXTRA INFO	Document + FXTradStsAndDtIsNtfctn ++ Gnllnf +++ SndrToRcvrInf
			//33!x	OC	Continuation of additional information. Fill with spaces to achive 35 symbols	//Continuation	Document + FXTradStsAndDtIsNtfctn ++ Gnllnf +++ SndrToRcvrInf
	121		36!x	M	UETR: Unique Transaction Reference	4e7b08db-68e1-4af3-ac40-cd06623bac8a	Document + FXTradStsAndDtIsNtfctn ++ RgltryRptg +++ TradgSdTxRptg ++++ TradgSdUnqTxldr +++++ UnqTxldr

13.3.1 EXAMPLE: MT296/FXSD = FXTR.017: STATUS AND DETAILS NOTIFICATION TO COUNTERPARTY

MT296: Status and Details Notification to Counterparty

```
{1:F01BDPSTNNTTXXXX}{2:O296BUNNAEAAXXXN}{3:{108:1909290001812095}}{4:
:20:R1812095
:21:FX13115179-2
:77A:52
:76:FXSD/1909291706+0400
UMTC/1909291706+0400
:11R:298
190929
:22C:CM18765
```

```
:17U:N
:17I:Y
:17A:Y
:82L:/FHI/CITIUS33
:82S:ADPSEGCA
:87L:/FHI/HSBCGB22
:87S:BDPSTNTT
:30T:20190929
:30V:20190929
:92B::EXCH/USD/AED/3,6731
:32B:AED100000,00
:33B:USD144750,00
:72:/ACC/EXTRA INFO ON OPERATION 11111
:121:90103f53-b1f7-4308-ad37-90544044383f
-}
```

fxtr.017: MX equivalent of MT296/FXSD sent to Counterparty

```
<?xml version="1.0" encoding="UTF-8"?>
<!-- Application header -->
<AppHdr xmlns="urn:iso:std:iso:20022:tech:xsd:head.001.001.01">
<!-- Message Sender:-Buna-->
  <Fr>
    <FIld>
      <FinInstnId>
        <BICFI>BUNNAEAA</BICFI>
      </FinInstnId>
    </FIld>
  </Fr>
<!-- Message Receiver : DP-->
  <To>
    <FIld>
      <FinInstnId>
        <BICFI>BDPSTNTT</BICFI>
      </FinInstnId>
    </FIld>
  </To>
```

```
<!-- Message Reference -->  
<BizMsgIdr>190929BUNNAEAAXXX0001812095</BizMsgIdr>
```

```
<!-- Message Type -->  
<MsgDefIdr>fxtr.017.001.04</MsgDefIdr>
```

```
<!-- Message Creation Date/Time-->  
<CreDt>2019-09-29T09:03:01Z</CreDt>
```

```
<Rltd>
```

```
<!-- Message Sender:-DP-->
```

```
<Fr>  
  <FIld>  
    <FinInstnId>  
      <BICFI>ADPSEGCA</BICFI>  
    </FinInstnId>  
  </FIld>  
</Fr>
```

```
<!-- Message Receiver : Buna-->
```

```
<To>  
  <FIld>  
    <FinInstnId>  
      <BICFI>BUNNAEAA</BICFI>  
    </FinInstnId>  
  </FIld>  
</To>
```

```
<!-- Message Reference -->  
<BizMsgIdr>FX13115179-2</BizMsgIdr>
```

```
<!-- Message Type -->  
<MsgDefIdr>fxtr.014.001.04</MsgDefIdr>
```

```
<!-- Message Creation Date/Time-->  
<CreDt>2019-09-29T11:17:41Z</CreDt>  
<Prty>0004</Prty>
```

```
</Rltd>  
</AppHdr>
```

```
<!-- Document -->
```

```
<Document xmlns="urn:iso:std:iso:20022:tech:xsd:fxtr.017.001.04">
```

```
<FXTradStsAndDtIsNtfctn>
  <StsDtIs>
    <MtchgSysUnqRef>52</MtchgSysUnqRef>
    <CurSts>
      <StsCd>
        <Cd>UMTC</Cd>
      </StsCd>
    </CurSts>
    <AllgdTrad>true</AllgdTrad>
  </StsDtIs>
  <TradInf>
    <TradDt>2019-09-29</TradDt>
    <MsgId>R1812095</MsgId>
    <OrgtrRef>FX13115179-2</OrgtrRef>
    <CmonRef>CM18765</CmonRef>
    <SplTtradInd>>false</SplTtradInd>
    <PmtVrssPmtInd>true</PmtVrssPmtInd>
  </TradInf>
```

<!--Party A. Field 82a -->

```
<TradgSdId>
  <SubmitgPty>
    <AnyBIC>
      <AnyBIC>ADPSEGCA</AnyBIC>
      <Altrntvldr>/FHI/CITIUS33</Altrntvldr>
    </AnyBIC>
  </SubmitgPty>
</TradgSdId>
```

<!--Party B. Field 87a -->

```
<CtrPtySdId>
  <SubmitgPty>
    <AnyBIC>
      <AnyBIC>BDPSTNTT</AnyBIC>
      <Altrntvldr>/FHI/HSBCGB22</Altrntvldr>
    </AnyBIC>
  </SubmitgPty>
</CtrPtySdId>
```

```

<TradAmts>
<!-- Amount bought. Field 32B -->
  <TradgSdBuyAmt Ccy="AED">100000.</TradgSdBuyAmt>
<!-- Amount sold. Field 33B -->
  <TradgSdSellAmt Ccy="USD">144750.</TradgSdSellAmt>
<!-- Value date. Field 30V -->
  <SttlmDt>2019-09-29</SttlmDt>
</TradAmts>
<!-- Exchange rate. Field 92B -->
  <AgrdRate>
    <XchgRate>1.4475</XchgRate>
    <UnitCcy>USD</UnitCcy>
    <QtdCcy>AED</QtdCcy>
  </AgrdRate>
  <GnlInf>
    <SndrToRcvrInf>EXTRA INFO ON OPERATION 1111</SndrToRcvrInf>
  </GnlInf>
  <RgltryRptg>
    <TradgSdTxRptg>
      <TradgSdUnqTxldr>
<!-- UETR. Field 121 -->
        <UnqTxldr>90103f53-b1f7-4308-ad37-90544044383f</UnqTxldr>
      </TradgSdUnqTxldr>
    </TradgSdTxRptg>
  </RgltryRptg>
  </FXTradStsAndDtIsNtfctn>
</Document>

```

13.3.2 EXAMPLE: MT296/FXSD = FXTR.017: STATUS AND DETAILS NOTIFICATION TO COUNTERPARTY

MT296: Status and Details Notification to Counterparty

```

{1:F01ADPSEGCAXXXX}{2:O296BUNNAEAXXXXN}{3:{108:1909290001812095}}{4:
:20:R2812095
:21:FX234234151
:77A:52
:76:FXSD/1909291706+0400

```



```
UMTC/1909291706+0400
:11R:298
190929
:22C:CM18765
:17U:N
:17I:Y
:17A:Y
:82L:/FHI/HSBCGB22
:82S:BDPSTNTT
:87L:/FHI/CITIUS33
:87S:ADPSEGCA
:30T:20190929
:30V:20190929
:92B::EXCH/USD/AED/3,6731
:32B:USD144750,00
:33B:AED100000,00
:72:/ACC/ANYTHING
:121:93668361-8c7d-4e55-a01b-1cddabc87aed
-}
```

fxtr.017: MX equivalent of MT296/FXSD sent to Counterparty

```
<?xml version="1.0" encoding="UTF-8"?>
<!-- Application header -->
<AppHdr xmlns="urn:iso:std:iso:20022:tech:xsd:head.001.001.01">
<!-- Message Sender:-Buna-->
  <Fr>
    <FIld>
      <FinInstnId>
        <BICFI>BUNNAEAA</BICFI>
      </FinInstnId>
    </FIld>
  </Fr>
<!-- Message Receiver : DP-->
  <To>
    <FIld>
      <FinInstnId>
```



```
        <BICFI>ADPSEGCA</BICFI>
      </FinInstnId>
    </FIld>
  </To>
<!-- Message Reference -->
  <BizMsgIdr>190929BUNNAEAAXXX0001812095</BizMsgIdr>
<!-- Message Type -->
  <MsgDefIdr>fxtr.017.001.04</MsgDefIdr>
<!-- Message Creation Date/Time-->
  <CreDt>2019-09-29T09:03:01Z</CreDt>

  <Rltd>
<!-- Message Sender:-DP-->
  <Fr>
    <FIld>
      <FinInstnId>
        <BICFI>BDPSTNTT</BICFI>
      </FinInstnId>
    </FIld>
  </Fr>
<!-- Message Receiver : Buna-->
  <To>
    <FIld>
      <FinInstnId>
        <BICFI>BUNNAEAA</BICFI>
      </FinInstnId>
    </FIld>
  </To>

<!-- Message Reference -->
  <BizMsgIdr>FX234234151</BizMsgIdr>
<!-- Message Type -->
  <MsgDefIdr>fxtr.014.001.04</MsgDefIdr>
<!-- Message Creation Date/Time-->
  <CreDt>2019-09-29T11:24:12Z</CreDt>
  <Prty>0004</Prty>
  </Rltd>
```

```
</AppHdr>
<!-- Document -->
<Document xmlns="urn:iso:std:iso:20022:tech:xsd:fxtr.017.001.04">
  <FXTradStsAndDtIsNtfctn>
    <StsDtIs>
      <MtchgSysUnqRef>52</MtchgSysUnqRef>
      <CurSts>
        <StsCd>
          <Cd>UMTC</Cd>
        </StsCd>
      </CurSts>
      <AllgdTrad>true</AllgdTrad>
    </StsDtIs>
    <TradInf>
      <TradDt>2019-09-29</TradDt>
      <MsgId>R2812095</MsgId>
      <OrgtrRef>FX234234151</OrgtrRef>
      <CmonRef>CM18765</CmonRef>
      <SplTTradInd>>false</SplTTradInd>
      <PmtVrssPmtInd>>true</PmtVrssPmtInd>
    </TradInf>
  <!-- Party A. Field 82a -->
    <TradgSdId>
      <SubmitgPty>
        <AnyBIC>
          <AnyBIC>BDPSTNTT</AnyBIC>
          <Altrntvldr>/FHI/HSBCGB22</Altrntvldr>
        </AnyBIC>
      </SubmitgPty>
    </TradgSdId>
  <!-- Party B. Field 87a -->
    <CtrPtySdId>
      <SubmitgPty>
        <AnyBIC>
          <AnyBIC>ADPSEGCA</AnyBIC>
          <Altrntvldr>/FHI/CITIUS33</Altrntvldr>
        </AnyBIC>
      </SubmitgPty>
    </CtrPtySdId>
  </FXTradStsAndDtIsNtfctn>
</Document>
```

```

    </SubmitgPty>
  </CtrPtySdId>

  <TradAmts>
<!-- Amount bought. Field 32B -->
    <TradgSdBuyAmt Ccy="USD">144750.</TradgSdBuyAmt>
<!-- Amount sold. Field 33B -->
    <TradgSdSellAmt Ccy="AED">100000.</TradgSdSellAmt>
<!-- Value date. Field 30V -->
    <SttlmDt>2019-09-29</SttlmDt>
  </TradAmts>
<!-- Exchange rate. Field 92B -->
  <AgrdRate>
    <XchgRate>1.4475</XchgRate>
    <UnitCcy>USD</UnitCcy>
    <QtdCcy>AED</QtdCcy>
  </AgrdRate>
  <GnlInf>
    <SndrToRcvrInf>ANYTHING</SndrToRcvrInf>
  </GnlInf>
  <RgltryRptg>
    <TradgSdTxRptg>
      <TradgSdUnqTxIdr>
<!-- UETR. Field 121 -->
        <UnqTxIdr>93668361-8c7d-4e55-a01b-1cddabc87aed</UnqTxIdr>
      </TradgSdUnqTxIdr>
    </TradgSdTxRptg>
  </RgltryRptg>
</FXTradStsAndDtIsNfctn>
</Document>

```

13.4 MT900 ≡ CAMT.054: DEBIT CONFIRMATION (SOLD CURRENCY)

camt.054 is generated in response to settled FX transaction and delivered to the DP which account is debited.

camt.054 can be translated to MT900 message.

Please refer to [1.11] for the description of the fields of message header which are not described in the table below.

Format of MT900 \equiv camt.054 Debit confirmation.

Status	MT Tag	MT Field Name	MT Format	Buna Status	Comment	Example	XPath in head.001 and camt.054
M	Block 2	Message type	3!n	M	MT: SWIFT message type. MX: MX message type	MT: 900 MX: camt.054.001.08	AppHdr + MsgDefldr Document AND
--		--	--	--	MX: Debiting flag means translation to MT900.	MX: DBIT	Document + BkToCstmrDbtCdtNtfctn ++ Ntfctn +++ Ntry ++++ CdtDbtInd
M	20	Transaction Reference Number	16x	M	Unique reference assigned by the system	BUNN9908798	Document + BkToCstmrDbtCdtNtfctn ++ GrpHdr +++ MsgId
M	21	Related Reference	16x	M	Common reference used in fxtr.014	CM18765	Document + BkToCstmrDbtCdtNtfctn ++ Ntfctn +++ Ntry ++++ NtryDtIs +++++ TxDtIs ++++++ Refs +++++++ EndToEndId



Status	MT Tag	MT Field Name	MT Format	Buna Status	Comment	Example	XPath in head.001 and camt.054
M	25	Account Identification	/34x	M	Code of account which is debited	ADPSEGCASA	Document + BkToCstmrDbtCdtNtfctn ++ Ntfctn +++ Acct ++++ Id +++++ Othr ++++++ Id
O	13D	Date/ Time Indication	6!n4!n1!x4!n	M	Time of message creation	MT: 1909291040+0400 MX: 2019-09-29T10:40:50+04:00	Document + BkToCstmrDbtCdtNtfctn ++ GrpHdr +++ CreDtTm
M	32A	Value Date, Currency Code, Amount	6!n	M	Value date	MT: 190929USD144750,00 MX: 2019-09-29	Document + BkToCstmrDbtCdtNtfctn ++ Ntfctn +++ Ntry ++++ ValDt
			3!a15d		Currency and amount	MT: 190929USD144750,00 MX: Ccy='USD' 144750.00	Document + BkToCstmrDbtCdtNtfctn ++ Ntfctn +++ Ntry ++++ Amt

Status	MT Tag	MT Field Name	MT Format	Buna Status	Comment	Example	XPath in head.001 and camt.054
O	52A	Ordering Institution	4!a2!a2!c [3!c]	M	BIC of participant who is initiated the transaction in the system: Buna in this particular case	BUNNAEAA	Document + BkToCstmrDbtCdtNtfctn ++ Ntfctn +++ Ntry ++++ NtryDtls +++++ TxDtls ++++++ RltdAgts +++++++ InstgAgt +++++++ FinInstnId +++++++ BICFI
O	72	Sender to Receiver Information	/3!c/3!n	M	Transaction type code.	MT: /TTC/088 MX: 088	Document + BkToCstmrDbtCdtNtfctn ++ Ntfctn +++ Ntry ++++ NtryDtls +++++ TxDtls ++++++ Purp +++++++ Prtry
			/3!c/25x	M	Local instrument: DCYN-SICT-CONV - Dual-CurrencY Normal Single Interbank Credit Transfer Conventional	MT: /LIN/DCYN-SICT-CONV MX: DCYN-SICT-CONV	Document + BkToCstmrDbtCdtNtfctn ++ Ntfctn +++ Ntry ++++ NtryDtls +++++ TxDtls ++++++ LclInstrm +++++++ Prtry

Status	MT Tag	MT Field Name	MT Format	Buna Status	Comment	Example	XPath in head.001 and camt.054
			/U/32!c	O	UETR (without dashes in MT)	MT: 6bc05483979b4e0eb7b8c4c13cabbf9d MX: 6bc05483-979b-4e0e-b7b8-c4c13cabbf9d	Document + BkToCstmrDbtCdtNtfctn ++ Ntfctn +++ Ntry ++++ NtryDtls +++++ TxDtls ++++++ Refs +++++++ UETR

13.4.1 EXAMPLE: DEBIT CONFIRMATION

MT900: Debit confirmation

```
{1:F01ADPSEGCAXXXX}{2:O900BUNNAEAXXXXN}{3:{108:1909290001000064}}{4:
:20:928653/900
:21:CM18765
:25:ADPSEGCASA
:13D:1909291303+0400
:32A:190929USD144750,00
:52A:BUNNAEAA
:72:/TTC/088
/LIN/DCYN-SICT-CONV
/U/90103f53b1f74308ad3790544044383f
-}
```

camt.054: MX equivalent of MT900

```
<?xml version="1.0" encoding="UTF-8"?>
<!-- Application header -->
<AppHdr xmlns="urn:iso:std:iso:20022:tech:xsd:head.001.001.01">
<!-- Message Sender:-Buna-->
  <Fr>
    <FIld>
      <FinInstnId>
        <BICFI>BUNNAEAA</BICFI>
```

```
        </FinInstnId>
      </FIld>
    </Fr>
<!-- Message Receiver : DP-->
  <To>
    <FIld>
      <FinInstnId>
        <BICFI>ADPSEGCA</BICFI>
      </FinInstnId>
    </FIld>
  </To>
<!-- Message Reference -->
  <BizMsgId>190929BUNNAEAAXXX0001000064</BizMsgId>
<!-- Message Type -->
  <MsgDefId>camt.054.001.08</MsgDefId>
<!-- Message Creation Date/Time-->
  <CreDt>2019-09-29T09:03:01Z</CreDt>
</AppHdr>
<!-- Document -->
<Document xmlns="urn:iso:std:iso:20022:tech:xsd:camt.054.001.08">
  <BkToCstmrDbtCdtNtfctn>
    <GrpHdr>
      <!-- Unique message identifier generated by Buna -->
        <MsgId>928653/900</MsgId>
      <!-- Message creation date time -->
        <CreDtTm>2019-09-29T10:40:50+04:00</CreDtTm>
      </GrpHdr>
      <Ntfctn>
        <!-- Unique notification identifier generated by Buna -->
          <Id>928653/900</Id>
        <!-- Debited or credited account -->
          <Acct>
            <Id>
              <Othr>
                <Id>ADPSEGCASA</Id>
              </Othr>
            </Id>
          </Acct>
        </Ntfctn>
      </BkToCstmrDbtCdtNtfctn>
    </GrpHdr>
  </Document>
```



```
</ld>
<!-- Account owner -->
  <Ownr>
    <ld>
      <Orgld>
        <AnyBIC>ADPSEGCA</AnyBIC>
      </Orgld>
    </ld>
  </Ownr>
</Acct>
<Ntry>
<!-- Debited or credited amount -->
  <Amt Ccy="USD">144750.00</Amt>
<!-- Flag debited/credit -->
  <CdtDbtInd>DBIT</CdtDbtInd>
<!-- Fixed value -->
  <Sts><Cd>BOOK</Cd></Sts>
<!-- Value date of the payment-->
  <ValDt>
    <Dt>2019-09-29</Dt>
  </ValDt>
<!-- Message type initiated the transaction -->
  <BkTxCd>
    <Prtry>
      <Cd>pacs.009.001.08</Cd>
    </Prtry>
  </BkTxCd>
<!-- Set of reference of original payment-->
  <NtryDtIs>
    <TxDtIs>
      <Refs>
<!-- Reference of the transfer. -->
  <Msgld>FX324234234/1</Msgld>
<!-- Reference of the transfer. -->
  <InstrId>FX324234234/1</InstrId>
<!--End-to-End reference. The same reference for the net transactions in IPS session -->
```

```

                                <EndToEndId>CM18765</EndToEndId>
<!--Unique transaction identifier. -->
                                <UETR>90103f53-b1f7-4308-ad37-90544044383f</UETR>
<!--Unique transaction identifier. -->
                                <TxId>FX324234234/1</TxId>
                                </Refs>
<!--Payment amount and currency code -->
                                <Amt Ccy="USD">144750.00</Amt>
                                <RltdPties>
<!--Debtor. BICFI for SWIFT-registered participants. ClrSysMmbld/Mmbld – for pseudo-BIC codes (non-swift registered)-->
                                <Dbtr>
                                    <Agt>
                                        <FinInstnId>
                                            <BICFI>ADPSEGCA</BICFI>
                                        </FinInstnId>
                                    </Agt>
                                </Dbtr>
<!--Creditor.. BICFI for SWIFT-registered participants. ClrSysMmbld/Mmbld – for pseudo-BIC codes (non-swift registered)-->
                                <Cdtr>
                                    <Agt>
                                        <FinInstnId>
                                            <BICFI>BDPSTNTT</BICFI>
                                        </FinInstnId>
                                    </Agt>
                                </Cdtr>
                                </RltdPties>
                                <RltdAgts>
<!--Instructing agent. Participant initiated transaction in the system. Buna in this particular case-->
                                <InstgAgt>
                                    <FinInstnId>
                                        <BICFI>BUNNAEAA</BICFI>
                                    </FinInstnId>
                                </InstgAgt>
<!--Instructed agent -->
                                <InstdAgt>

```

```
        <FinInstnId>
          <BICFI>BDPSTNTT</BICFI>
        </FinInstnId>
      </InstdAgt>
```

<!-- Debited participant -->

```
    <Prtry>
      <Tp>DPAR</Tp>
      <Agt>
        <FinInstnId>
          <BICFI>ADPSEGCA</BICFI>
        </FinInstnId>
      </Agt>
    </Prtry>
```

<!-- Credited participant -->

```
    <Prtry>
      <Tp>CPAR</Tp>
      <Agt>
        <FinInstnId>
          <BICFI>BDPSTNTT</BICFI>
        </FinInstnId>
      </Agt>
    </Prtry>
```

```
  </RltdAgts>
```

<!-- Local instrument -->

```
    <LclInstrm>
      <Prtry>DCYN-SICT-CONV</Prtry>
    </LclInstrm>
```

<!-- Transaction type code -->

```
    <Purp>
      <Prtry>088</Prtry>
    </Purp>
  </TxDtls>
</NtryDtls>
</Ntry>
</Ntfcn>
</BkToCstmrDbtCdtNtfcn>
```

</Document>

13.4.2 EXAMPLE: DEBIT CONFIRMATION

MT900: Debit confirmation

```
{1:F01BDPSTNTTXXXX}{2:O900BUNNAEAAAXXXN}{3:{108:1909290001000074}}{4:
:20:928643/900
:21:CM18765
:25:ADPSEGCASA
:13D:1909291303+0400
:32A:190929AED100000,00
:52A:BUNNAEAA
:72:/TTC/088
/LIN/DCYN-SICT-CONV
/U/936683618c7d4e55a01b1cddabc87aed
-}
```

camt.054: MX equivalent of MT900

```
<?xml version="1.0" encoding="UTF-8"?>
<!-- Application header -->
<AppHdr xmlns="urn:iso:std:iso:20022:tech:xsd:head.001.001.01">
<!-- Message Sender:-Buna-->
  <Fr>
    <FIld>
      <FinInstnId>
        <BICFI>BUNNAEAA</BICFI>
      </FinInstnId>
    </FIld>
  </Fr>
<!-- Message Receiver : DP-->
  <To>
    <FIld>
      <FinInstnId>
        <BICFI>BDPSTNTT</BICFI>
      </FinInstnId>
    </FIld>
```

```
</To>
<!-- Message Reference -->
<BizMsgIdr>190929BUNNAEAAXXX0001000074</BizMsgIdr>
<!-- Message Type -->
<MsgDefldr>camt.054.001.08</MsgDefldr>
<!-- Message Creation Date/Time-->
<CreDt>2019-09-29T09:03:01Z</CreDt>
</AppHdr>

<!-- Document -->
<Document xmlns="urn:iso:std:iso:20022:tech:xsd:camt.054.001.08">
  <BkToCstmrDbtCdtNtfctn>
    <GrpHdr>
      <!-- Unique message identifier generated by Buna -->
      <MsgId>928643/900</MsgId>
      <!-- Message creation date time -->
      <CreDtTm>2019-09-29T13:03:01+04:00</CreDtTm>
    </GrpHdr>
    <Ntfctn>
      <!-- Unique notification identifier generated by Buna -->
      <Id>928653/900</Id>
      <!-- Debited or credited account -->
      <Acct>
        <Id>
          <Othr>
            <Id>BDPSTNTTSA</Id>
          </Othr>
        </Id>
      </Acct>
      <!-- Account owner -->
      <Ownr>
        <Id>
          <OrgId>
            <AnyBIC>BDPSTNTT</AnyBIC>
          </OrgId>
        </Id>
      </Ownr>
    </Ntfctn>
  </BkToCstmrDbtCdtNtfctn>
</Document>
```

```

</Acct>
<Ntry>
<!-- Debited or credited amount -->
    <Amt Ccy="AED">100000.00</Amt>
<!-- Flag debited/credit -->
    <CdtDbtInd>DBIT</CdtDbtInd>
<!-- Fixed value -->
    <Sts><Cd>BOOK</Cd></Sts>
<!-- Value date of the payment-->
    <ValDt>
        <Dt>2019-09-29</Dt>
    </ValDt>
<!-- Message type initiated the transaction -->
    <BkTxCd>
        <Prtry>
            <Cd>pacs.009.001.08</Cd>
        </Prtry>
    </BkTxCd>
<!-- Set of reference of original payment-->
    <NtryDtIs>
        <TxDtIs>
            <Refs>
<!-- Reference of the transfer. -->
                <MsgId>FX324234234/2</MsgId>
<!-- Reference of the transfer. -->
                <InstrId>FX324234234/2</InstrId>
<!--End-to-End reference. The same reference for the net transactions in IPS session -->
                <EndToEndId>CM18765</EndToEndId>
<!--Unique transaction identifier. -->
                <UETR>93668361-8c7d-4e55-a01b-1cddabc87aed</UETR>
<!--Unique transaction identifier. -->
                <TxId>FX324234234/2</TxId>
            </Refs>
        </TxDtIs>
    </NtryDtIs>
<!--Payment amount and currency code -->
    <Amt Ccy="AED">100000.00</Amt>

    <RltdPties>

```

<!--Debtor. BICFI for SWIFT-registered participants. ClrSysMmbld/Mmbld – for pseudo-BIC codes (non-swift registered)-->

```
<Dbtr>
  <Agt>
    <FinInstnId>
      <BICFI>BDPSTNTT</BICFI>
    </FinInstnId>
  </Agt>
</Dbtr>
```

<!--Creditor.. BICFI for SWIFT-registered participants. ClrSysMmbld/Mmbld – for pseudo-BIC codes (non-swift registered)-->

```
<Cdtr>
  <Agt>
    <FinInstnId>
      <BICFI>ADPSEGCA</BICFI>
    </FinInstnId>
  </Agt>
</Cdtr>
</RltdPties>
<RltdAgts>
```

<!--Instructing agent. Participant initiated transaction in the system. Buna in this particular case-->

```
<InstgAgt>
  <FinInstnId>
    <BICFI>BUNNAEAA</BICFI>
  </FinInstnId>
</InstgAgt>
```

<!--Instructed agent -->

```
<InstdAgt>
  <FinInstnId>
    <BICFI>ADPSEGCA</BICFI>
  </FinInstnId>
</InstdAgt>
```

<!-- Debited participant -->

```
<Prtry>
  <Tp>DPAR</Tp>
  <Agt>
    <FinInstnId>
      <BICFI>BDPSTNTT</BICFI>
```

```

                </FinInstnId>
            </Agt>
        </Prtry>
<!-- Credited participant -->
        <Prtry>
            <Tp>CPAR</Tp>
            <Agt>
                <FinInstnId>
                    <BICFI>ADPSEGCA</BICFI>
                </FinInstnId>
            </Agt>
        </Prtry>
    </RltdAgts>
<!-- Local instrument -->
    <LclInstrm>
        <Prtry>DCYN-SICT-CONV</Prtry>
    </LclInstrm>
<!-- Transaction type code -->
        <Purp>
            <Prtry>088</Prtry>
        </Purp>
    </TxDtls>
</NtryDtls>
</Ntry>
</Ntfctn>
</BkToCstmrDbtCdtNtfctn>
</Document>

```

13.5 MT910 ≡ CAMT.054: CREDIT CONFIRMATION (SOLD CURRENCY)

camt.054 is generated in response to settled FX transaction and delivered to the DP which account is credited.

camt.054 can be translated to MT910 message.

Please refer to [1.11] for the description of the fields of message header which are not described in the table below.

Format of MT910 ≡ camt.054 Credit confirmation.

Sta-tus	MT Tag	MT Field Name	MT Format	Buna Status	Comment	Example	XPath in head.001 and camt.054
M	Block 2	Message type	3!n	M	MT: SWIFT message type. MX: MX message type	MT: 910 MX: camt.054.001.08	AppHdr + MsgDefldr Document AND
--	:	--	--	--	MX: Crediting flag means translation to MT910.	MX: CRDT	Document + BkToCstmrDbtCdtNtfctn ++ Ntfctn +++ Ntry ++++ CdtDbtInd
M	20	Transaction Reference Number	16x	M	Unique reference assigned by the system	BUNN9908798	Document + BkToCstmrDbtCdtNtfctn ++ GrpHdr +++ MsgId
M	21	Related Reference	16x	M	Common reference used in fxtr.014	CM18765	Document + BkToCstmrDbtCdtNtfctn ++ Ntfctn +++ Ntry ++++ NtryDtls +++++ TxDtls ++++++ Refs +++++++ EndToEndId



Status	MT Tag	MT Field Name	MT Format	Buna Status	Comment	Example	XPath in head.001 and camt.054
M	25	Account Identification	/34x	M	Code of account which is Credited	ADPSEGCASA	Document + BkToCstmrDbtCdtNtfctn ++ Ntfctn +++ Acct ++++ Id +++++ Othr ++++++ Id
O	13D	Date/ Time Indication	6!n4!n1!x4!n	M	Time of message creation	MT: 1909291040+0400 MX: 2019-09-29T10:40:50+04:00	Document + BkToCstmrDbtCdtNtfctn ++ GrpHdr +++ CreDtTm
M	32A	Value Date, Currency Code, Amount	6!n	M	Value date	MT: 190929USD144750,00 MX: 2019-09-29	Document + BkToCstmrDbtCdtNtfctn ++ Ntfctn +++ Ntry ++++ ValDt
			3!a15d		Currency and amount	MT: 190929USD144750,00 MX: Ccy='USD' 144750.00	Document + BkToCstmrDbtCdtNtfctn ++ Ntfctn +++ Ntry ++++ Amt



Status	MT Tag	MT Field Name	MT Format	Buna Status	Comment	Example	XPath in head.001 and camt.054
O	52A	Ordering Institution	4!a2!a2!c [3!c]	M	BIC of participant who is initiated the transaction in the system: Buna in this particular case	BUNNAEAA	Document + BkToCstmrDbtCdtNtfctn ++ Ntfctn +++ Ntry ++++ NtryDtls +++++ TxDtls ++++++ RltdAgts +++++++ InstgAgt +++++++ FinInstnld +++++++ BICFI
O	72	Sender to Receiver Information	/3!c/3!n	M	Transaction type code.	MT: /TTC/088 MX: 088	Document + BkToCstmrDbtCdtNtfctn ++ Ntfctn +++ Ntry ++++ NtryDtls +++++ TxDtls ++++++ Purp +++++++ Prtry
			/3!c/25x	M	Local instrument: DCYN-SICT-CONV - Dual-CurrencY Normal Single Interbank Credit Transfer Conventional	MT: /LIN/DCYN-SICT-CONV MX: DCYN-SICT-CONV	Document + BkToCstmrDbtCdtNtfctn ++ Ntfctn +++ Ntry ++++ NtryDtls +++++ TxDtls ++++++ LclInstrm +++++++ Prtry



Status	MT Tag	MT Field Name	MT Format	Buna Status	Comment	Example	XPath in head.001 and camt.054
			/U/32!c	O	UETR (without dashes in MT)	MT: 6bc05483979b4e0eb7b8c4c13cabbf9d MX: 6bc05483-979b-4e0e-b7b8-c4c13cabbf9d	Document + BkToCstmrDbtCdtNtfctn ++ Ntfctn +++ Ntry ++++ NtryDtls +++++ TxDtls ++++++ Refs +++++++ UETR

13.5.1 EXAMPLE: CREDIT CONFIRMATION

MT910: Credit confirmation

```
{1:F01BDPSTNTTXXXX}{2:O910BUNNAEAAAXXXN}{3:{108:1909291001000064}}{4:
:20:928653/910
:21:CM18765
:25:BDPSTNTTSA
:13D:1909291303+0400
:32A:190929USD144750,00
:52A:/FHI/CITIUS33
BUNNAEAA
:72:/TTC/088
/LIN/DCYN-SICT-CONV
/U/90103f53b1f74308ad3790544044383f
-}
```

camt.054: MX equivalent of MT910

```
<?xml version="1.0" encoding="UTF-8"?>
<!-- Application header -->
<AppHdr xmlns="urn:iso:std:iso:20022:tech:xsd:head.001.001.01">
<!-- Message Sender:-Buna-->
  <Fr>
    <FIId>
      <FinInstnId>
```

```
        <BICFI>BUNNAEAA</BICFI>
      </FinInstnId>
    </FIld>
  </Fr>
<!-- Message Receiver : DP-->
  <To>
    <FIld>
      <FinInstnId>
        <BICFI>BDPSTNTT</BICFI>
      </FinInstnId>
    </FIld>
  </To>
<!-- Message Reference -->
  <BizMsgId>190929BUNNAEAAXXX1001000064</BizMsgId>
<!-- Message Type -->
  <MsgDefId>camt.054.001.08</MsgDefId>
<!-- Message Creation Date/Time-->
  <CreDt>2019-09-29T09:03:01Z</CreDt>
</AppHdr>
<!-- Document -->
<Document xmlns="urn:iso:std:iso:20022:tech:xsd:camt.054.001.08">
  <BkToCstmrDbtCdtNtfctn>
    <GrpHdr>
      <!-- Unique message identifier generated by Buna -->
      <MsgId>928653/910</MsgId>
      <!-- Message creation date time -->
      <CreDtTm>2019-09-29T10:40:50+04:00</CreDtTm>
    </GrpHdr>
    <Ntfctn>
      <!-- Unique notification identifier generated by Buna -->
      <Id>928653/910</Id>
      <!-- Credited account -->
      <Acct>
        <Id>
          <Othr>
            <Id>BDPSTNTTSA</Id>
          </Othr>
        </Id>
      </Acct>
    </Ntfctn>
  </BkToCstmrDbtCdtNtfctn>
</Document>
```

```
        </Othr>
    </ld>
<!-- Name of reserve -->
    <Tp>
        <Prtry>IPLIMIT</Prtry>
    </Tp>

<!-- Account owner -->
    <Ownr>
        <ld>
            <Orgld>
                <AnyBIC>BDPSTNTT</AnyBIC>
            </Orgld>
        </ld>
    </Ownr>
</Acct>
<Ntry>

<!-- Credited or credited amount -->
    <Amt Ccy="USD">144750.00</Amt>

<!-- Flag Credited/credit -->
    <CdtDbtInd>CRDT</CdtDbtInd>

<!-- Fixed value -->
    <Sts><Cd>BOOK</Cd></Sts>

<!-- Value date of the payment-->
    <ValDt>
        <Dt>2019-09-29</Dt>
    </ValDt>

<!-- Message type initiated the transaction -->
    <BkTxCd>
        <Prtry>
            <Cd>pac.009.001.08</Cd>
        </Prtry>
    </BkTxCd>

<!-- Set of reference of original payment-->
    <NtryDtls>
        <TxDtls>
            <Refs>
```

```
<!-- Reference of the transfer. -->
    <MsgId>FX324234234/1</MsgId>
<!-- Reference of the transfer. -->
    <InstrId>FX324234234/1</InstrId>
<!--End-to-End reference. The same reference for the net transactions in IPS session -->
    <EndToEndId>CM18765</EndToEndId>
<!--Unique transaction identifier. -->
    <UETR>90103f53-b1f7-4308-ad37-90544044383f</UETR>
<!--Unique transaction identifier. -->
    <TxId>FX324234234/1</TxId>
    </Refs>
<!--Payment amount and currency code -->
    <Amt Ccy="USD">144750.00</Amt>
    <RltdPties>
<!--Debtor. BICFI for SWIFT-registered participants. ClrSysMmbld/Mmbld – for pseudo-BIC codes (non-swift registered)-->
    <Dbtr>
        <Agt>
            <FinInstnId>
                <BICFI>ADPSEGCA</BICFI>
            </FinInstnId>
        </Agt>
    </Dbtr>
<!--Creditor.. BICFI for SWIFT-registered participants. ClrSysMmbld/Mmbld – for pseudo-BIC codes (non-swift registered)-->
    <Cdtr>
        <Agt>
            <FinInstnId>
                <BICFI>BDPSTNTT</BICFI>
            </FinInstnId>
        </Agt>
    </Cdtr>
    </RltdPties>
    <RltdAgts>
<!--Instructing agent. Participant initiated transaction in the system. Buna in this particular case-->
    <InstgAgt>
        <FinInstnId>
```

```
                <BICFI>BUNNAEAA</BICFI>
                </FinInstnId>
            </InstgAgt>
<!-- Instructed agent -->
            <InstdAgt>
                <FinInstnId>
                    <BICFI>BDPSTNTT</BICFI>
                </FinInstnId>
            </InstdAgt>
<!-- Debited participant -->
            <Prtry>
                <Tp>DPAR</Tp>
                <Agt>
                    <FinInstnId>
                        <BICFI>ADPSEGCA</BICFI>
                    </FinInstnId>
                </Agt>
            </Prtry>
<!-- Credited participant -->
            <Prtry>
                <Tp>CPAR</Tp>
                <Agt>
                    <FinInstnId>
                        <BICFI>BDPSTNTT</BICFI>
                    </FinInstnId>
                </Agt>
            </Prtry>
        </RltdAgt>
<!-- Local instrument -->
        <LclInstrm>
            <Prtry>DCYN-SICT-CONV</Prtry>
        </LclInstrm>
<!-- Transaction type code -->
        <Purp>
            <Prtry>088</Prtry>
        </Purp>
```



```
        </TxDtls>
      </NtryDtls>
    </Ntry>
  </Ntfctn>
</BkToCstmrDbtCdtNtfctn>
</Document>
```

13.5.2 EXAMPLE: CREDIT CONFIRMATION

MT910: Credit confirmation

```
{1:F01ADPSEGCAXXXX}{2:O910BUNNAEAXXXXN}{3:{108:1909291001000074}}{4:
:20:928643/910
:21:CM18765
:25:ADPSEGCASA
:13D:1909291303+0400
:32A:190929AED100000,00
:52A:BUNNAEAA
:72:/TTC/088
/LIN/DCYN-SICT-CONV
/U/936683618c7d4e55a01b1cddabc87aed
-}
```

camt.054: MX equivalent of MT910

```
<?xml version="1.0" encoding="UTF-8"?>
```

```
<!-- Application header -->
```

```
<AppHdr xmlns="urn:iso:std:iso:2002:tech:xsd:head.001.001.01">
```

```
<!-- Message Sender:-Buna-->
```

```
<Fr>
```

```
<FIld>
```

```
<FinInstnId>
```

```
<BICFI>BUNNAEAA</BICFI>
```

```
</FinInstnId>
```

```
</FIld>
```

```
</Fr>
```

```
<!-- Message Receiver : DP-->
```

```
<To>
```

```
<FIld>
  <FinInstnId>
    <BICFI>ADPSEGCA</BICFI>
  </FinInstnId>
</FIld>
</To>
<!-- Message Reference -->
<BizMsgIdr>190929BUNNAEAAXXXX1001000074</BizMsgIdr>
<!-- Message Type -->
<MsgDefIdr>camt.054.001.08</MsgDefIdr>
<!-- Message Creation Date/Time-->
<CreDt>2019-09-29T09:03:01Z</CreDt>
</AppHdr>
<!--Document -->
<Document xmlns="urn:iso:std:iso:20022:tech:xsd:camt.054.001.08">
  <BkToCstmrDbtCdtNtfctn>
    <GrpHdr>
      <!-- Unique message identifier generated by Buna -->
      <MsgId>928643/910</MsgId>
      <!-- Message creation date time -->
      <CreDtTm>2019-09-29T13:03:01+04:00</CreDtTm>
    </GrpHdr>
    <Ntfctn>
      <!-- Unique notification identifier generated by Buna -->
      <Id>928653/910</Id>
      <!-- Credited or credited account -->
      <Acct>
        <Id>
          <Othr>
            <Id>BDPSTNTTSA</Id>
          </Othr>
        </Id>
      <!--Name of reserve -->
      <Tp>
        <Prtry>IPLIMIT</Prtry>
      </Tp>
```

```
<!-- Account owner -->
  <Ownr>
    <Id>
      <OrgId>
        <AnyBIC>BDPSTNTT</AnyBIC>
      </OrgId>
    </Id>
  </Ownr>
</Acct>
<Ntry>
<!-- Credited or credited amount -->
  <Amt Ccy="AED">100000.00</Amt>
<!-- Flag Credited/credit -->
  <CdtDbtInd>CRDT</CdtDbtInd>
<!-- Fixed value -->
  <Sts><Cd>BOOK</Cd></Sts>
<!-- Value date of the payment-->
  <ValDt>
    <Dt>2019-09-29</Dt>
  </ValDt>
<!-- Message type initiated the transaction -->
  <BkTxCd>
    <Prtry>
      <Cd>pacs.009.001.08</Cd>
    </Prtry>
  </BkTxCd>
<!-- Set of reference of original payment-->
  <NtryDtls>
    <TxDtls>
      <Refs>
<!-- Reference of the transfer. -->
      <MsgId>FX324234234/2</MsgId>
<!-- Reference of the transfer. -->
      <InstrId>FX324234234/2</InstrId>
<!--End-to-End reference. The same reference for the net transactions in IPS session -->
      <EndToEndId>CM18765</EndToEndId>
<!--Unique transaction identifier. -->
```

```
<UETR>93668361-8c7d-4e55-a01b-1cddabc87aed</UETR>
<!--Unique transaction identifier. -->
  <TxId>FX324234234/2</TxId>
  </Refs>
<!--Payment amount and currency code -->
  <Amt Ccy="AED">100000.00</Amt>
  <RltdPties>
<!--Debtor. BICFI for SWIFT-registered participants. ClrSysMmbld/Mmbld – for pseudo-BIC codes (non-swift registered)-->
  <Dbtr>
    <Agt>
      <FinInstnId>
        <BICFI>BDPSTNTT</BICFI>
      </FinInstnId>
    </Agt>
  </Dbtr>
<!--Creditor.. BICFI for SWIFT-registered participants. ClrSysMmbld/Mmbld – for pseudo-BIC codes (non-swift registered)-->
  <Cdtr>
    <Agt>
      <FinInstnId>
        <BICFI>ADPSEGCA</BICFI>
      </FinInstnId>
    </Agt>
  </Cdtr>
</RltdPties>
<RltdAgts>
<!--Instructing agent. Participant initiated transaction in the system. Buna in this particular case-->
  <InstgAgt>
    <FinInstnId>
      <BICFI>BUNNAEAA</BICFI>
    </FinInstnId>
  </InstgAgt>
<!--Instructed agent -->
  <InstdAgt>
    <FinInstnId>
      <BICFI>ADPSEGCA</BICFI>
    </FinInstnId>
```

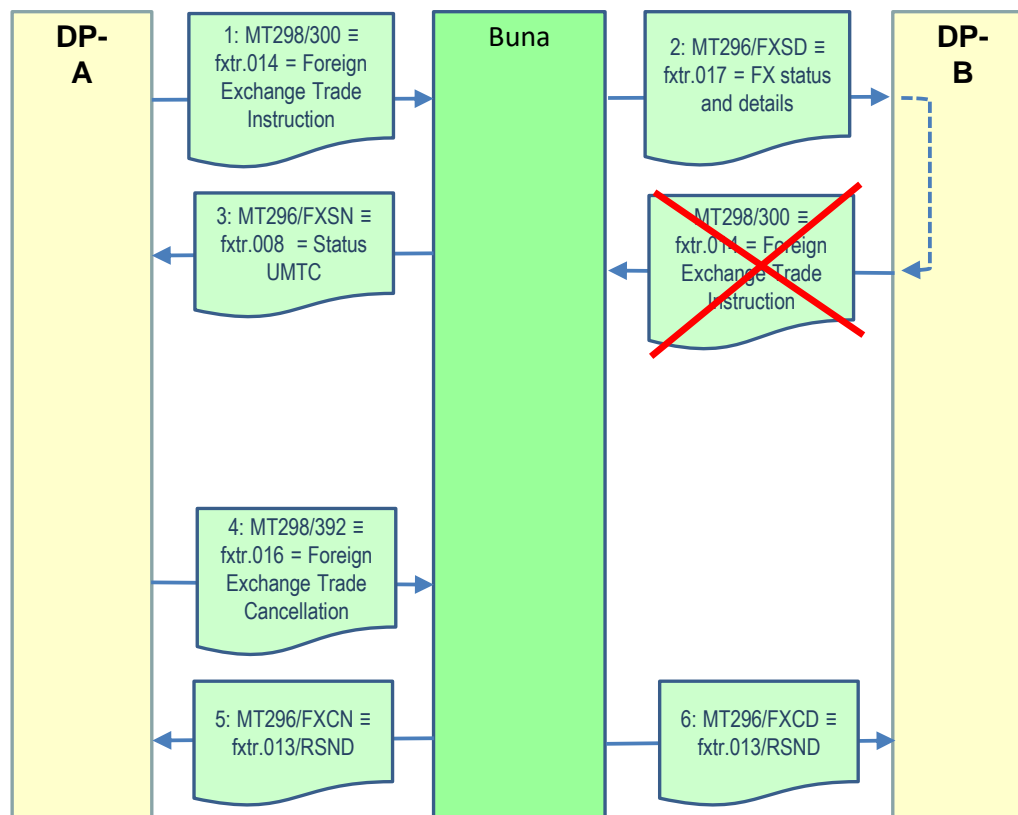
```
</InstdAgt>
<!-- Debited participant -->
  <Prtry>
    <Tp>DPAR</Tp>
    <Agt>
      <FinInstnId>
        <BICFI>BDPSTNTT</BICFI>
      </FinInstnId>
    </Agt>
  </Prtry>
<!-- Credited participant -->
  <Prtry>
    <Tp>CPAR</Tp>
    <Agt>
      <FinInstnId>
        <BICFI>ADPSEGCA</BICFI>
      </FinInstnId>
    </Agt>
  </Prtry>
</RltdAgt>
<!-- Local instrument -->
  <LclInstrm>
    <Prtry>DCYN-SICT-CONV</Prtry>
  </LclInstrm>
<!-- Transaction type code -->
  <Purp>
    <Prtry>088</Prtry>
  </Purp>
  </TxDtls>
  </NtryDtls>
  </Ntry>
  </Ntfctn>
  </BkToCstmrDbtCdtNtfctn>
</Document>
```

14 FOREIGN EXCHANGE TRADE INSTRUCTION CANCELLATION

14.1 MESSAGE FLOW

14.1.1 SUCCESSFUL FLOW

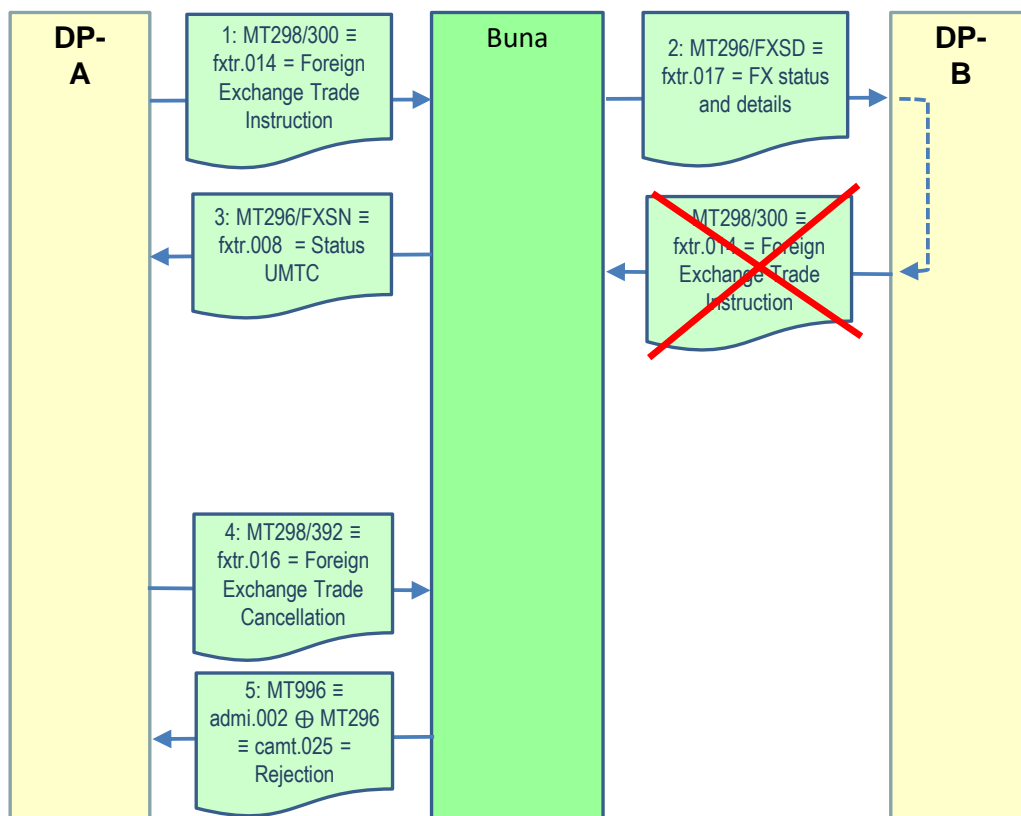
Figure 8. Successful flow.



Message #	MX type	Item
1	MT298/300 ≡ fxtr.014	13.2.1 (left column)
2	MT296/FXSD ≡ fxtr.017/UMTC	13.3.1
3	MT296/FXSD ≡ fxtr.017/UMTC	
4	MT298/392 ≡ fxtr.016	14.2.1
5	MT296/FXCN ≡ fxtr.013/RSND	14.3.1
6	MT296/FXCN ≡ fxtr.013/RSND	14.3.2

14.1.2 UNSUCCESSFUL FLOW: REJECTION BY BUNA

Figure 9. Rejection by Buna.



Message #	MX type	Item
1	MT298/300 ≡ fxtr.014	13.2.1 (left column)
2	MT296/FXSD ≡ fxtr.017/UMTC	13.3.1
3	MT296/FXSD ≡ fxtr.017/UMTC	
4	MT298/392 ≡ fxtr.016	14.2.1
5	MT996 ≡ admi.002	10.3 "Buna Message Formats"
5	MT296 ≡ camt.025	10.1 "Buna Message Formats"

14.2 MT298/392 ≡ FXTR.016.001.04 — FOREIGN EXCHANGE TRADE INSTRUCTION CANCELLATION

fxtr.016.001.04 — Foreign Exchange Trade Instruction Cancellation.

Format of MT298/392 ≡ fxtr.016: Foreign Exchange Trade Cancellation.

SWIFT Status	MT Field	MT field name	MT Format	Buna status	Comment	Example	XPath in head.001 and fxtr.014
M	Block 2	Message type	3!n	M	MT: SWIFT message type. MX: MX message type	MT: 298 MX: fxtr.016.001.04	AppHdr + MsgDefldr Document AND
M	20	Originator Reference	16x	M	Id of the message assigned by Originator	R1208348360548	Document + FXTradInstrCxl ++ TradInf +++ OrgtrRef
M	12	Sub-Message Type		M	Fixed value 392	--	--
M	77E			M	Empty line		
	77A		16x	M	Matching System Unique Reference: Id of current trade assigned by the system	52	Document + FXTradInstrCxl ++ TradInf +++ MtchgSysRef ++++ MtchgSysUnqRef
	22C		4!a2!c4!n4!a2!c	M	Common Reference agreed between the parties	CM18765	Document + FXTradInstrCxl ++ TradInf +++ CmonRef

SWIFT Status	MT Field	MT field name	MT Format	Buna status	Comment	Example	XPath in head.001 and fxtr.014
	17I		YesNoIndicator	M	Payment Versus Payment Indicator. Fixed value "true"	true	Document + FXTradInstrCxl ++ TradInf +++ PmtVrsspmtInd
	82L		/FHI/4!a2!a2!c[3!c]	O	FHI of the Sold currency	/FHI/CITIUS33	Document + FXTradInstrCxl ++ TradgSdld +++ SubmitgPty ++++ AnyBIC +++++ Altrntvldr OR Document + FXTradInstrCxl ++ TradgSdld +++ SubmitgPty ++++ NmAndAdr +++++ Altrntvldr
	82S		4!a2!a2!c[3!c]	MA	BIC of message originator	ADPSEGCAXXX	Document + FXTradInstrCxl ++ TradgSdld +++ SubmitgPty ++++ AnyBIC +++++ AnyBIC
	82N		4!a2!a2!c[3!c]	MA	Pseudo-BIC of message originator	ABCDTNTT	Document + FXTradInstrCxl ++ TradgSdld +++ SubmitgPty ++++ NmAndAdr +++++ Nm

SWIFT Status	MT Field	MT field name	MT Format	Buna status	Comment	Example	XPath in head.001 and fxtr.014
	87L		/FHI/4!a2!a2!c[3!c]	O	FHI of the Bought currency	/FHI/HSBCGB22	Document + FXTradInstrCxl ++ CtrPtySdld +++ SubmitgPty ++++ AnyBIC +++++ Altrntvldr OR Document + FXTradInstrCxl ++ CtrPtySdld +++ SubmitgPty ++++ NmAndAdr +++++ Altrntvldr
	87S		4!a2!a2!c[3!c]	MA	BIC of counterparty	BDPSTNTT	Document + FXTradInstrCxl ++ CtrPtySdld +++ SubmitgPty ++++ AnyBIC +++++ AnyBIC
	87N		4!a2!a2!c[3!c]	MA	Pseudo-BIC of counterparty	EFGHTNTT	Document + FXTradInstrCxl ++ CtrPtySdld +++ SubmitgPty ++++ NmAndAdr +++++ Nm
	30T		ISO Date Time	M	Trade Date	2019-09-29	Document + FXTradInstrCxl ++ TradInf +++ TradDt

SWIFT Status	MT Field	MT field name	MT Format	Buna status	Comment	Example	XPath in head.001 and fxtr.014
	30V		ISODate	M	Settlement Date	2019-09-29	Document + FXTradInstrCxl ++ TradAmts +++ SttlmDt
	32B		ActiveCurrency andAmount	M	Amount to be received by Trading side (Currency, Amount Bought)	MT: AED5000000 , MX: Ccy="AED" 5000000 .	Document + FXTradInstrCxl ++ TradAmts +++ TradgSdBuyAmt
	33B		ActiveCurrency andAmount	M	Amount to be delivered by Trading side (Currency, Amount Sold)	Ccy="EUR" 6000000	Document + FXTradInstrCxl ++ TradAmts +++ TradgSdSellAmt
	72		/3!c/30!x	O	Additional information. Fill with spaces to achive 35 symbols	/ACC/EXTRA INFO	Document + FXTradInstrCxl ++ OptnlGnlInf +++ SndrToRcvrInf
			//33!x	OC	Continuation of additional information. Fill with spaces to achive 35 symbols	//Continuation	Document + FXTradInstrCxl ++ OptnlGnlInf +++ SndrToRcvrInf
	121		36!x	O	UETR: Unique Transaction Reference	4e7b08db-68e1-4af3-ac40-cd06623bac8a	Document + FXTradInstrCxl ++ RgltryRptg +++ TradgSdTxBptg ++++ TradgSdUnqTxIdr +++++ UnqTxIdr

14.2.1 EXAMPLE: FOREIGN EXCHANGE CANCELLATION

MT298/392: Foreign Exchange Cancellation

```
{1:F01ADPSEGCAXXXX}{2:I298BUNNAEAAXXXN}{3:{108:R22000000008013}}{4:
:20:R22000000008013
:12:392
:77E:
:77A:52
:22C:CM18765
:17I:Y
:82L:/FHI/CITIUS33
:82S:ADPSEGCA
:87L:/FHI/HSBCGB22
:87S:BDPSTNTT
:30T:20190929
:30V:20190929
:32B:AED100000,00
:33B:USD144750,00
:121:90103f53-b1f7-4308-ad37-90544044383f
-}
```

MX Equivalents

```
<AppHdr xmlns="urn:iso:std:iso:20022:tech:xsd:head.001.001.01">
```

```
<!-- Application header -->
```

```
<Fr>
  <FIId>
    <FinInstnId>
      <BICFI>ADPSEGCA</BICFI>
    </FinInstnId>
  </FIId>
</Fr>
<To>
  <FIId>
    <FinInstnId>
      <BICFI>BUNNAEAA</BICFI>
    </FinInstnId>
```

```
</FIld>
</To>
<BizMsgldr>R22000000008013</BizMsgldr>
<MsgDefldr>fxtr.016.001.04</MsgDefldr>
<CreDt>2019-09-29T11:18:21Z</CreDt>
</AppHdr>
<!-- Document -->
<Document xmlns="urn:iso:std:iso:20022:tech:xsd:fxtr.016.001.04">
  <FXTradInstrCxl>
    <TradInf>
      <!--Trade date. Field 30T -->
      <TradDt>2019-09-29</TradDt>
      <!-- Originator Reference. Field 20 -->
      <OrgtrRef>R22000000008013</OrgtrRef>
      <!--System unique reference -->
      <MtchgSysRef>
        <MtchgSysUnqRef>52</MtchgSysUnqRef>
      </MtchgSysRef>
      <!--Common reference. Field 22C -->
      <CmonRef>CM18765</CmonRef>
      <!--PvP indicator. Fixed value "true" Field 17I -->
      <PmtVrssPmtInd>true</PmtVrssPmtInd>
    </TradInf>
    <!--Party A. Field 82a -->
    <TradgSdld>
      <SubmitgPty>
        <AnyBIC>
          <AnyBIC>ADPSEGCA</AnyBIC>
          <Altrntvldr>/FHI/CITIUS33</Altrntvldr>
        </AnyBIC>
      </SubmitgPty>
    </TradgSdld>
    <!--Party B. Field 87a -->
    <CtrPtySdld>
      <SubmitgPty>
        <AnyBIC>
          <AnyBIC>BDPSTNTT</AnyBIC>
```

```
<Altrntvldr>/FHI/HSBCGB22</Altrntvldr>
</AnyBIC>
</SubmitgPty>
</CtrPtySdld>

<TradAmts>
<!--Amount bought. Field 32B -->
  <TradgSdBuyAmt Ccy="AED">100000.</TradgSdBuyAmt>
<!--Amount sold. Field 33B -->
  <TradgSdSellAmt Ccy="USD">144750.</TradgSdSellAmt>
<!--Value date. Field 30V -->
  <SttlmDt>2019-09-29</SttlmDt>
</TradAmts>
<RgltryRptg>
  <TradgSdTxRptg>
    <TradgSdUnqTxldr>
<!--UETR. Field 121 -->
  <UnqTxldr>90103f53-b1f7-4308-ad37-90544044383f</UnqTxldr>
  </TradgSdUnqTxldr>
  </TradgSdTxRptg>
</RgltryRptg>
</FXTradInstrCxl>
</Document>
```

14.3 MT296/FXCX ≡ FXTR.013: CANCELLATION STATUS MESSAGE

This message is used in case of cancellation of unmatched MT298/300≡fxtr.014 message.

Please refer to [1.11] for the description of the fields of message header which are not described in the table below.

Format of MT296/FXCX ≡ fxtr.013: Cancellation status message.

SWIFT status	MT Field	MT Field name	MT Format	Buna status	Comment	Example	XPath in head.001 and camt.025
M	Block 2	Message type	3!n	M	MT:SWIFT message type. MX: MX message type	MT: 296 MX: fxtr.013.001.04	AppHdr + MsgDefldr AND Document
M	20	Message reference	16x	M	Identifier of the reply message	R60000044551	Document + FXTradWdrwINtfctn ++ Msgld
M	21	Related reference	16x	M	Reference number of the request	ADP08013	AppHdr + Rltd ++ MsgDefldr
M	76	Answers	4!a	M	Fixed value FXCX	FXCX	--
			/6!n4!n1!x4!n	M	Date/Time of the status message creation	MT: /1909291754+0400 MX: 2019-09-29T17:54:30+04:00	AppHdr + CreDt
			4!a	M	Trade status	RSCD	Document + FXTradWdrwINtfctn ++ WdrwIRsn +++ WdrwIRsnCd
			/6!n4!n1!x4!n	M	Date/Time of the status message creation	MT: /1909291754+0400 MX: 2019-09-29T17:54:30+04:00	AppHdr + Rltd ++ CreDt
M	77A	Narrative	16x	M	Buna unique reference	52	Document + FXTradWdrwINtfctn ++ MtchgSysUnqRef

SWIFT status	MT Field	MT Field name	MT Format	Buna status	Comment	Example	XPath in head.001 and camt.025
O	11R	Type and Date of the related message	3!n	O	Message type of the request, which was followed by the error message	MT: 298 MX: fxtr.016.001.04	AppHdr + Rltd ++ MsgDefldr
			6!n	O	Calendar date of the request sending (MT: YYYYMMDD)	MT: 190929 MX: 2019-09-29T11:47:37+04:00	AppHdr + Rltd ++ CreDt

14.3.1 EXAMPLE: MT296/FXCX: CANCELLATION NOTIFICATION TO TRADING PARTY

MT296/FXCX: Cancellation notification to Trading party

```
{1:F01ADPSEGCAXXXX}{2:O296BUNNAEAAXXXN}{3:{108:1909290001044553}}{4:
:20:M201401060000002
:21:R22000000008013
:76:FXCX/1909291706+0400
RSCD/1909291706+0400
:77A:52
:11R:298
190929
-}
```

MX Equivalent

```
<?xml version="1.0" encoding="UTF-8"?>
<!-- Application header -->
<AppHdr xmlns="urn:iso:std:iso:20022:tech:xsd:head.001.001.01">
<!-- Message Sender:-Buna-->
<Fr>
  <FIld>
    <FinInstnId>
      <BICFI>BUNNAEAA</BICFI>
```



```
        </FinInstnId>
      </FIld>
    </Fr>
<!-- Message Receiver : DP-->
  <To>
    <FIld>
      <FinInstnId>
        <BICFI>ADPSEGCA</BICFI>
      </FinInstnId>
    </FIld>
  </To>
<!-- Message Reference -->
  <BizMsgIdr>190929BUNNAEAAXXX0001044553</BizMsgIdr>
<!-- Message Type -->
  <MsgDefIdr>fxtr.013.001.03</MsgDefIdr>
<!-- Message Creation Date/Time-->
  <CreDt>2019-09-29T09:03:01Z</CreDt>
  <Rltd>
<!-- Related Message Sender -->
  <Fr>
    <FIld>
      <FinInstnId>
        <BICFI>ADPSEGCA</BICFI>
      </FinInstnId>
    </FIld>
  </Fr>
<!-- Related Message Receiver -->
  <To>
    <FIld>
      <FinInstnId>
        <BICFI>BUNNAEAA</BICFI>
      </FinInstnId>
    </FIld>
  </To>
<!-- Related Message Reference -->
  <BizMsgIdr>R22000000008013</BizMsgIdr>
<!-- Related Message Type -->
```

```
<MsgDefldr>fxtr.016.001.04</MsgDefldr>
<!-- Related Message Creation Date/Time-->
<CreDt>2019-09-29T09:02:00Z</CreDt>
</Rltd>
</AppHdr>
<!-- Document -->
<Document xmlns= "urn:iso:std:iso:20022:tech:xsd:fxtr.013.001.03">
<FXTradWdrwlNtfctn>
<!-- Unique message Id assigned by the System -->
<MsgId>M201401060000001</MsgId>
<!-- System Id in fxtr.017 sent earlier -->
<MtchgSysUnqRef>52</MtchgSysUnqRef>
<WdrwlRsn>
<!-- RSCD Staus: cancelled -->
<WdrwlRsnCd>RSCD</WdrwlRsnCd>
</WdrwlRsn>
</FXTradWdrwlNtfctn>
</Document>
```

14.3.2 EXAMPLE: MT296/FXCX: CANCELLATION NOTIFICATION TO COUNTERPARTY

MT296: Cancellation notification to counterparty

```
{1:F01BDPSTNTTXXXX}{2:O296BUNNAEAXXXN}{3:{108:1909290001044552}}{4:
:20:M201401060000001
:21:R22000000008013
:76:FXCX/1909291706+0400
RSCD/1909291706+0400
:77A:52
:11R:298
190929
-}
```

MX Equivalent

```
<?xml version="1.0" encoding="UTF-8"?>
```

```
<!-- Application header -->
<AppHdr xmlns="urn:iso:std:iso:20022:tech:xsd:head.001.001.01">
<!-- Message Sender: BUNA-->
  <Fr>
    <FIld>
      <FinInstnId>
        <BICFI>BUNNAEAA</BICFI>
      </FinInstnId>
    </FIld>
  </Fr>
<!-- Message Receiver : DP-->
  <To>
    <FIld>
      <FinInstnId>
        <BICFI>BDPSTNTT</BICFI>
      </FinInstnId>
    </FIld>
  </To>
<!-- Message Reference -->
  <BizMsgldr>190929BUNNAEAAXXX0001044552</BizMsgldr>
<!-- Message Type -->
  <MsgDefldr>fxtr.013.001.03</MsgDefldr>
<!-- Message Creation Date/Time-->
  <CreDt>2019-09-29T09:03:01Z</CreDt>
  <Rltd>
<!-- Related Message Sender -->
  <Fr>
    <FIld>
      <FinInstnId>
        <BICFI>ADPSEGCA</BICFI>
      </FinInstnId>
    </FIld>
  </Fr>
<!-- Related Message Receiver -->
  <To>
    <FIld>
      <FinInstnId>
```

```
                <BICFI>BUNNAEAA</BICFI>
            </FinInstnId>
        </FIld>
    </To>
<!-- Related Message Reference -->
    <BizMsgId>R22000000008013</BizMsgId>
<!-- Related Message Type -->
    <MsgDefId>fxtr.016.001.04</MsgDefId>
<!-- Related Message Creation Date/Time-->
    <CreDt>2019-09-29T09:02:00Z</CreDt>
    </Rltd>
</AppHdr>
<!-- Document -->
<?xml version="1.0" encoding="UTF-8"?>
<Document xmlns="urn:iso:std:iso:20022:tech:xsd:fxtr.013.001.03">
<!-- This message is sent to BDPSTNTT -->
<FXTradWdrwINtfctn>
<!-- Unique message Id assigned by the System -->
    <MsgId>M201401060000002</MsgId>
<!-- System Id in fxtr.017 sent earlier -->
    <MtchgSysUnqRef>52</MtchgSysUnqRef>
    <WdrwIRsn>
<!-- RSCD Staus: cancelled -->
        <WdrwIRsnCd>RSCD</WdrwIRsnCd>
    </WdrwIRsn>
</FXTradWdrwINtfctn>
</Document>
```

15 EXCHANGE RATE SETTING AND DELETING

15.1 MT298/377 ≡ CAMT.998/SETXCHGRTS: SET CURRENCY EXCHANGE RATES

Format of MT298/377 ≡ camt.998/setXchgRts: Set Currency Exchange rates.

SWIFT Status	MT Field	MT field name	MT Format	Buna status	Comment	Example	XPath in head.001 and camt.998
M	Block 2	Message type	3!n	M	MT: SWIFT message type. MX: MX message type	MT: 298 MX: camt.998.001.03	AppHdr + MsgDefldr AND Document
M	20	Originator Reference	16x	M	Id of the message assigned by Originator	R1208348360548	Document + CshMgmtPrtryMsg ++ MsgHdr +++ MsgId
M	12	Sub-Message Type		M	Fixed value 377	MT: 377 MX: cma.setXchgRts.001.01	Document + CshMgmtPrtryMsg ++ PrtryData +++ Tp
M	77E			M	Empty line		--
	82A		4!a2!a2!c[3!c]	MA	BIC of Submitting party	ABPSEGCA	Document + CcyXchgRates ++ SubmitgPty +++ BICFI
	82D		4!a2!a2!c[3!c]	MA	Pseudo- BIC of Submitting party	ABPNEGCA	Document + CcyXchgRates ++ SubmitgPty +++ ClrSysMmbld ++++ Mmbld
	11R		9!c	M	Start of repetitive sequence. MT: fixed value SETFXRATE	MT: SETFXRATE	--

SWIFT Status	MT Field	MT field name	MT Format	Buna status	Comment	Example	XPath in head.001 and camt.998
	36		12d	O	Exchange Rate	MT: 3,6731 MX: 3.6731	Document + CcyXchgRates ++ CcyXchgRate +++ Rate ++++ XchgRate
	11U		3!a	M	Unit currency	MT: USD MX: USD	Document + CcyXchgRates ++ CcyXchgRate +++ Rate ++++ UnitCcy
	11Q		3!a	M	Quoted currency	MT: AED MX: AED	Document + CcyXchgRates ++ CcyXchgRate +++ Rate ++++ QtdCcy
	30		6!n	M	Quotation date	MT: 220929 MX: 2022-09-29	Document + CcyXchgRates ++ CcyXchgRate +++ Rate ++++ QtnDt
	11S		9!c	M	End of repetitive sequence. MT: fixed value SETFXRATE	MT: SETFXRATE	--
--	--	--	--	O	Rate type		Document + CcyXchgRates ++ CcyXchgRate +++ RateTp

15.1.1 EXAMPLE: SET CURRENCY EXCHANGE RATE

MT298/377: Set Currency Exchange rate

```
{1:F01CBOMOMRUAXXX}{2:I298BUNNAEAXXXXN}{3:{108:FX-0215201909}}{4:
:20:FX-0215201909
:12:377
:77E:
:82A:CBOMOMRU
:11R:SETFXRATE
:36:2,5998117
:11U:OMR
:11Q:USD
:30:221004
:11S:SETFXRATE
:11R:SETFXRATE
:36:2,6328733
:11U:OMR
:11Q:EUR
:30:221004
:11S:SETFXRATE
:11R:SETFXRATE
:11U:GBP
:11Q:OMR
:30:221004
:11S:SETFXRATE
-}
```

camt.998/setXchgRts: MX equivalent of MT298/377 above

```
<?xml version="1.0" encoding="UTF-8"?>
<!-- Application header -->
<AppHdr xmlns="urn:iso:std:iso:20022:tech:xsd:head.001.001.01">
  <Fr>
    <FIld>
      <FinInstnId>
        <BICFI>CBOMOMRU</BICFI>
      </FinInstnId>
    </FIld>
  </Fr>
  <To>
```

```

    <FIld>
      <FinInstnId>
        <BICFI>BUNNAEAA</BICFI>
      </FinInstnId>
    </FIld>
  </To>
  <BizMsgLdr>FX-0215201909</BizMsgLdr>
  <MsgDefLdr>camt.998.001.03</MsgDefLdr>
  <CreDt>2022-10-04T14:19:09Z</CreDt>
</AppHdr>
<Document xmlns="urn:swift:xsd:camt.998.001.03">
  <!-- Example of exchange rate message -->
  <CshMgmtPrtryMsg>
    <MsgHdr>
      <!-- Unique message identifier -->
      <MsgId>FX-0215201909</MsgId>
      <!-- Message creation date time -->
      <CreDtTm>2022-10-04T17:19:09+03:00</CreDtTm>
    </MsgHdr>
    <PrtryData>
      <!-- Specification of the type of proprietary message -->
      <Tp>cma.setXchgRts.001.01</Tp>
      <Data>
        <Document xmlns="urn:cma:xsd:cma.setXchgRts.001.01">
          <SetCcyXchgRates>
            <SubmitgPty>
              <BICFI>CBOMOMRU</BICFI>
            </SubmitgPty>
            <CcyXchgRate>
              <Rate>
                <!-- ExchangeRate = UnitCurrency/QuotedCurrency -->
                <XchgRate>2.5998117</XchgRate>
                <UnitCcy>OMR</UnitCcy>
                <QtdCcy>USD</QtdCcy>
                <QtnDt>2022-10-04</QtnDt>
              </Rate>
            </CcyXchgRate>
          </SetCcyXchgRates>
        </Document>
      </Data>
    </PrtryData>
  </CshMgmtPrtryMsg>
</Document>

```



```

    <CcyXchgRate>
      <Rate>
        <!-- ExchangeRate = UnitCurrency/QuotedCurrency -->
        <XchgRate>2.6328733</XchgRate>
        <UnitCcy>OMR</UnitCcy>
        <QtdCcy>EUR</QtdCcy>
        <QtnDt>2022-10-04</QtnDt>
      </Rate>
    </CcyXchgRate>
    <CcyXchgRate>
      <Rate>
        <UnitCcy>GBP</UnitCcy>
        <QtdCcy>OMR</QtdCcy>
        <QtnDt>2022-10-04</QtnDt>
      </Rate>
    </CcyXchgRate>
  </SetCcyXchgRates>
</Document>
</Data>
</PrtryData>
</CshMgmtPrtryMsg>
</Document>

```

15.2 MT298/378 ≡ CAMT.998/DELXCHGRTS: DELETE CURRENCY EXCHANGE RATES

Format of MT298/378 ≡ camt.998/delXchgRts: Delete Currency Exchange rates.

SWIFT Status	MT Field	MT field name	MT Format	Buna status	Comment	Example	XPath in head.001 and camt.998
M	Block 2	Message type	3!n	M	MT: SWIFT message type. MX: MX message type	MT: 298 MX: camt.998.001.03	AppHdr + MsgDefldr AND Document

SWIFT Status	MT Field	MT field name	MT Format	Buna status	Comment	Example	XPath in head.001 and camt.998
M	20	Originator Reference	16x	M	Id of the message assigned by Originator	R1208348360548	Document + CshMgmtPrtryMsg ++ MsgHdr +++ MsgId
M	12	Sub-Message Type		M	Fixed value 378	MT: 378 MX: cma. delXchgRts.001.01	Document + CshMgmtPrtryMsg ++ PrtryData +++ Tp
M	77E			M	Empty line		--
	82A		4!a2!a2!c[3!c]	MA	BIC of Submitting party	ABPSEGCA	Document + DelCcyXchgRates ++ SubmitgPty +++ BICFI
	82D		4!a2!a2!c[3!c]	MA	Pseudo- BIC of Submitting party	ABPNEGCA	Document + DelCcyXchgRates ++ SubmitgPty +++ ClrSysMmbld ++++ Mmbld
	11R		9!c	M	Start of repetitive sequence. MT: fixed value DELFXRATE	MT: DELFXRATE	--
	11U		3!a	M	Unit currency	MT: USD MX: USD	Document + DelCcyXchgRates ++ DelCcyXchgRate +++ UnitCcy
	11Q		3!a	M	Quoted currency	MT: AED MX: AED	Document + DelCcyXchgRates ++ DelCcyXchgRate +++ QtdCcy

SWIFT Status	MT Field	MT field name	MT Format	Buna status	Comment	Example	XPath in head.001 and camt.998
	30		6!n	M	Quotation date	MT: 220929 MX: 2022-09-29	Document + DelCcyXchgRates ++ DelCcyXchgRate +++ QtnDt
	--	--	--	O	Rate type		Document + DelCcyXchgRates ++ DelCcyXchgRate +++ RateTp
	11S		9!c	M	End of repetitive sequence. MT: fixed value DELFXRATE	MT: DELFXRATE	--

15.2.1 EXAMPLE: DELETE CURRENCY EXCHANGE RATE

MT298/378: Delete Currency Exchange rate

```
{1:F01CBOMOMRUAXXX}{2:I298BUNNAEAAXXXN}{3:{108:FX-0215201910}}{4:
```

```
:20:FX-0215201910
```

```
:12:378
```

```
:77E:
```

```
:82A:OMROMRU
```

```
:11R:DELFXRATE
```

```
:11U:OMR
```

```
:11Q:USD
```

```
:30:221004
```

```
:11S:DELFXRATE
```

```
:11R:DELFXRATE
```

```
:11U:USD
```

```
:11Q:OMR
```

```
:30:221004
```

```
:11S:DELFXRATE
```

```
:11R:DELFXRATE
```

```
:11U:OMR
```

```
:11Q:EUR
```

```
:30:221004  
:11S:DELFXRATE  
-}
```

camt.998/delXchgRts: MX equivalent of MT298/378

```
<?xml version="1.0" encoding="UTF-8"?>  
<!-- Application header -->  
<AppHdr xmlns="urn:iso:std:iso:20022:tech:xsd:head.001.001.01">  
  <Fr>  
    <FIld>  
      <FinInstnId>  
        <BICFI>CBOMOMRU</BICFI>  
      </FinInstnId>  
    </FIld>  
  </Fr>  
  <To>  
    <FIld>  
      <FinInstnId>  
        <BICFI>BUNNAEAA</BICFI>  
      </FinInstnId>  
    </FIld>  
  </To>  
  <BizMsgId>FX-0215201910</BizMsgId>  
  <MsgDefId>camt.998.001.03</MsgDefId>  
  <CreDt>2022-10-04T17:19:09Z</CreDt>  
</AppHdr>  
<Document xmlns="urn:swift:xsd:camt.998.001.03">  
<!-- Example of exchange rate message -->  
<CshMgmtPrtryMsg>  
  <MsgHdr>  
<!-- Unique message identifier -->  
    <MsgId>FX-0215201910</MsgId>  
<!-- Message creation date time -->  
    <CreDtTm>2022-10-04T20:19:09+03:00</CreDtTm>  
  </MsgHdr>  
  <PrtryData>
```

```
<!-- Specification of the type of proprietary message -->
<Tp>cma.delXchgRts.001.01</Tp>
<Data>
  <Document xmlns="urn:cma:xsd:cma.delXchgRts.001.01">
    <DelCcyXchgRates>
      <SubmitgPty>
        <BICFI>CBOMOMRU</BICFI>
      </SubmitgPty>
      <DelCcyXchgRate>
        <UnitCcy>OMR</UnitCcy>
        <QtdCcy>USD</QtdCcy>
        <QtnDt>2022-10-04</QtnDt>
      </DelCcyXchgRate>
      <DelCcyXchgRate>
        <UnitCcy>USD</UnitCcy>
        <QtdCcy>OMR</QtdCcy>
        <QtnDt>2022-10-04</QtnDt>
      </DelCcyXchgRate>
      <DelCcyXchgRate>
        <UnitCcy>OMR</UnitCcy>
        <QtdCcy>EUR</QtdCcy>
        <QtnDt>2022-10-04</QtnDt>
      </DelCcyXchgRate>
    </DelCcyXchgRates>
  </Document>
</Data>
</PrtryData>
</CshMgmtPrtryMsg>
</Document>
```

15.3 MT298/379 ≡ CAMT.017: RETURN EXCHANGE RATES

Format of MT298/FXRT ≡ camt.017: Return Exchange rates

SWIF T Statu	MT Field	MT field name	MT Format	Buna status	Comment	Example	XPath in AppHdr and camt.017
M	20	Transaction Reference Number	16x	M	Unique reference assigned by the Sender of the text message	FX-0215201909	Document + RtrCcyXchgRate ++ MsgHdr +++ MsgId
M	20	Originator Reference	16x	M	Id of the message assigned by Originator	R1208348360548	Document + CshMgmtPrtryMsg ++ MsgHdr +++ MsgId
M	12	Sub-Message Type		M	Fixed value 379	MT: 379 MX: camt.017.001.05	AppHdr + MsgDefldr AND Document
M	77E			M	Empty line		--
			/4!a/	M	Type of proprietary message: FXRT fixed value in MT	MT: /FXRT/2210041719+0400 MX: camt.017.001.01	Document
			6!n4!n1!x4!n	M	Date/Time of message creation	MT: /FXRT/2210041719+0400 MX: 2022-10-04T17:19:01+04:00	Document + RtrCcyXchgRate ++ MsgHdr +++ CreDtTm
			/RQST/	M	Keyword RQST	MT: /RQST/SETX/FX-0215201909	

SWIF T Statu	MT Field	MT field name	MT Format	Buna status	Comment	Example	XPath in AppHdr and camt.017
			4!a/	M	Report type: SETX — exchange rate received as result of exchange rate setting; DELX — exchange rate received as result of exchange rate deleting.	MT: /RQST/ SETX /FX-0215201909 MX: SETX	Document + RtrCcyXchgRate ++ MsgHdr +++ QryNm
			16x	O	Related reference	MT: /RQST/ SETX /FX- 0215201909 MX: FX-0215201909	Document + RtrCcyXchgRate ++ MsgHdr +++ OrgnIBizQry ++++ MsgId
			--	OC	MX type of related message	MX: camt.998.001.03	Document + RtrCcyXchgRate ++ MsgHdr +++ OrgnIBizQry ++++ MsgNmId
			--	OC	Date/Time of related message	MX: 2022-10-04T17:19:09+03:00	Document + RtrCcyXchgRate ++ MsgHdr +++ OrgnIBizQry ++++ CreDtTm
				→	Start of repetitive sequence in case rate is correct		

SWIF T Statu	MT Field	MT field name	MT Format	Buna status	Comment	Example	XPath in AppHdr and camt.017
--	--	--	/RATE/	M	Keyword RATE	MT: /RATE/OMR/BHD/221012/0,977893	Document + RtrCcyXchgRate ++ RptOrErr +++ CcyXchgRpt ++++ CcyXchgOrErr +++++ CcyXchg
			3!a	M	Source currency	MT: /RATE/OMR/BHD/221012/0,977893 MX: OMR	Document + RtrCcyXchgRate ++ RptOrErr +++ CcyXchgRpt ++++ CcyRef +++++ SrcCcy
			/3!a	M	Target currency	MT: /RATE/OMR/BHD/221012/0,977893 MX: BHD	Document + RtrCcyXchgRate ++ RptOrErr +++ CcyXchgRpt ++++ CcyRef +++++ TrgtCcy
			--	M	Quoted currency. The same as target currency	MX: BHD	Document + RtrCcyXchgRate ++ RptOrErr +++ CcyXchgRpt ++++ CcyXchgOrErr +++++ CcyXchg +++++ QtdCcy
			/6!n	M	Quotation date	MT: /RATE/OMR/BHD/221012/0,977893 MX: 2022-10-12T00:00:00+03:00	Document + RtrCcyXchgRate ++ RptOrErr +++ CcyXchgRpt ++++ CcyXchgOrErr +++++ CcyXchg +++++ QtnDt

SWIF T Statu	MT Field	MT field name	MT Format	Buna status	Comment	Example	XPath in AppHdr and camt.017
			/12d	M	Exchange rate	MT: /RATE/OMR/BHD/221012/ 0,977893 MX: 0.977893	Document + RtrCcyXchgRate ++ RptOrErr +++ CcyXchgRpt ++++ CcyXchgOrErr +++++ CcyXchg ++++++ XchgRate
				--	End of repetitive sequence in case rate is correct		
				→	Start of repetitive sequence		
			/ERRR/	M	Keyword ERRR	MT: /ERRR/OMR/QAR/20221012/RFSD/ Wrong target currency AUD	Document + RtrCcyXchgRate ++ RptOrErr +++ CcyXchgRpt ++++ CcyXchgOrErr +++++ BizErr[1] ++++++ Err +++++++ Prtry
			3!a	M	Source currency	MT: /ERRR/OMR/QAR/20221012/RFSD/ Wrong target currency AUD MX: OMR	Document + RtrCcyXchgRate ++ RptOrErr +++ CcyXchgRpt ++++ CcyRef +++++ SrcCcy
			/3!a	M	Target currency	MT: /ERRR/OMR/QAR/20221012/RFSD/ Wrong target currency AUD MX: QAR	Document + RtrCcyXchgRate ++ RptOrErr +++ CcyXchgRpt ++++ CcyRef +++++ TrgtCcy

SWIFT T	Statu	MT Field	MT field name	MT Format	Buna status	Comment	Example	XPath in AppHdr and camt.017
					M	Keyword QTND	MT: QTND	Document + RtrCcyXchgRate ++ RptOrErr +++ CcyXchgRpt ++++ CcyXchgOrErr +++++ BizErr[2] ++++++ Err +++++++ Prtry
					M	Quotation date	MT: /ERRR/OMR/QAR/ 221012 /ES155/Wr ong target currency AUD MX: 2022-10-12 T00:00:00+03:00	Document + RtrCcyXchgRate ++ RptOrErr +++ CcyXchgRpt ++++ CcyXchgOrErr +++++ BizErr[2] ++++++ Desc
				/4x	M	Error code in case currency rate is cannot be returned	MT: /ERRR/OMR/QAR/221012/ ES155 /Wr ong target currency AUD MX: ES155	Document + RtrCcyXchgRate ++ RptOrErr +++ CcyXchgRpt ++++ CcyXchgOrErr +++++ BizErr[1] ++++++ Err +++++++ Desc
				/50x	O	Description of error.	MT: /ERRR/OMR/QAR/221012/ES155/ Wr ong target currency AUD MX: Wrong target currency AUD	Document + RtrCcyXchgRate ++ RptOrErr +++ CcyXchgRpt ++++ CcyXchgOrErr +++++ BizErr ++++++ Desc
					--	End of repetitive sequence		

Additional Information

If there are many rates in MX message then to escape exceeding 35 lines in field 79, several MT999 will be created during translation based on one camt.017.

A message number is placed after /PAGE/ keyword in field 79.

15.3.1 INFORMATION ON CURRENT EXCHANGE RATES

MT298/379: Information on current exchange rates

```
{1:F01CBOMOMRUXXX}{2:O999BUNNAEAAAXXXN}{3:{108:FX-0215201909}}{4:
:20:FX-0215201909
:12:379
:77E:
/FXRT/2210041319+0300
/RQST/SETX/FX-0215201909
/RATE/OMR/BHD/221004/0,97777843
/RATE/OMR/KWD/221004/0,80726051
/RATE/OMR/AED/221004/9,5499561
/ERRR/OMR/AUD/221004/ES155/Wrong target currency AUD
/RATE/OMR/SAR/221004/2,6003965
-}
```

camt.017: MX equivalent of MT298/379 above

```
<?xml version="1.0" encoding="UTF-8"?>
<!-- Application header -->
<AppHdr xmlns="urn:iso:std:iso:20022:tech:xsd:head.001.001.01">
  <Fr>
    <FIId>
      <FinInstnId>
        <BICFI>BUNNAEAA</BICFI>
      </FinInstnId>
    </FIId>
  </Fr>
  <To>
    <FIId>
      <FinInstnId>
```

```
<BICFI>CBOMOMRU</BICFI>
</FinInstnId>
</FIld>
</To>
<BizMsgId>FX-0215201909</BizMsgId>
<MsgDefId>camt.017.001.05</MsgDefId>
<CreDt>2022-10-04T13:19:09Z</CreDt>
<Rltd>
  <Fr>
    <FIld>
      <FinInstnId>
        <BICFI>CBOMOMRU</BICFI>
      </FinInstnId>
    </FIld>
  </Fr>
  <To>
    <FIld>
      <FinInstnId>
        <BICFI>BUNNAEAA</BICFI>
      </FinInstnId>
    </FIld>
  </To>
  <BizMsgId>FX-0215201909</BizMsgId>
  <MsgDefId>camt.998.001.03</MsgDefId>
  <CreDt>2022-10-04T14:19:09Z</CreDt>
</Rltd>
</AppHdr>
```

```
<!-- Document -->
```

```
<Document xmlns="urn:iso:std:iso:2002:tech:xsd:camt.017.001.05">
  <RtrCcyXchgRate>
    <MsgHdr>
      <MsgId>FX-0215201909</MsgId>
      <CreDtTm>2022-10-04T17:19:09+04:00</CreDtTm>
      <OrgnlBizQry>
        <MsgId>FX-0215201909</MsgId>
        <MsgNmId>camt.998.001.03</MsgNmId>
        <CreDtTm>2022-10-04T17:19:09+03:00</CreDtTm>
```

```
</OrgnlBizQry>
<QryNm>SETX</QryNm>
</MsgHdr>
<RptOrErr>

  <CcyXchgRpt>
    <CcyRef>
      <SrcCcy>OMR</SrcCcy>
      <TrgtCcy>BHD</TrgtCcy>
    </CcyRef>
    <CcyXchgOrErr>
      <CcyXchg>
        <XchgRate>0.97777843</XchgRate>
        <QtdCcy>BHD</QtdCcy>
        <QtnDt>2022-10-04T00:00:00+03:00</QtnDt>
      </CcyXchg>
    </CcyXchgOrErr>
  </CcyXchgRpt>

  <CcyXchgRpt>
    <CcyRef>
      <SrcCcy>OMR</SrcCcy>
      <TrgtCcy>KWD</TrgtCcy>
    </CcyRef>
    <CcyXchgOrErr>
      <CcyXchg>
        <XchgRate>0.80726051</XchgRate>
        <QtdCcy>KWD</QtdCcy>
        <QtnDt>2022-10-04T00:00:00+03:00</QtnDt>
      </CcyXchg>
    </CcyXchgOrErr>
  </CcyXchgRpt>

  <CcyXchgRpt>
    <CcyRef>
      <SrcCcy>OMR</SrcCcy>
      <TrgtCcy>AED</TrgtCcy>
```

```
</CcyRef>
<CcyXchgOrErr>
  <CcyXchg>
    <XchgRate>9.5499561</XchgRate>
    <QtdCcy>AED</QtdCcy>
    <QtnDt>2022-10-04T00:00:00+03:00</QtnDt>
  </CcyXchg>
</CcyXchgOrErr>
</CcyXchgRpt>

<CcyXchgRpt>
  <CcyRef>
    <SrcCcy>OMR</SrcCcy>
    <TrgtCcy>AUD</TrgtCcy>
  </CcyRef>
  <CcyXchgOrErr>
    <BizErr>
      <Err>
        <Prtry>ERRR</Prtry>
      </Err>
      <Desc>ES155
Wrong target currency AUD</Desc>
    </BizErr>
    <BizErr>
      <Err>
        <Prtry>QTND</Prtry>
      </Err>
      <Desc>2022-10-04T00:00:00+03:00</Desc>
    </BizErr>
  </CcyXchgOrErr>
</CcyXchgRpt>

<CcyXchgRpt>
<CcyRef>
  <SrcCcy>OMR</SrcCcy>
  <TrgtCcy>USD</TrgtCcy>
</CcyRef>
```



```
<CcyXchgOrErr>  
  <CcyXchg>  
    <XchgRate>2.6003965</XchgRate>  
    <QtdCcy>USD</QtdCcy>  
    <QtnDt>2022-10-04T00:00:00+03:00</QtnDt>  
  </CcyXchg>  
</CcyXchgOrErr>  
</CcyXchgRpt>  
  
</RptOrErr>  
</RtrCcyXchgRate>  
</Document>
```